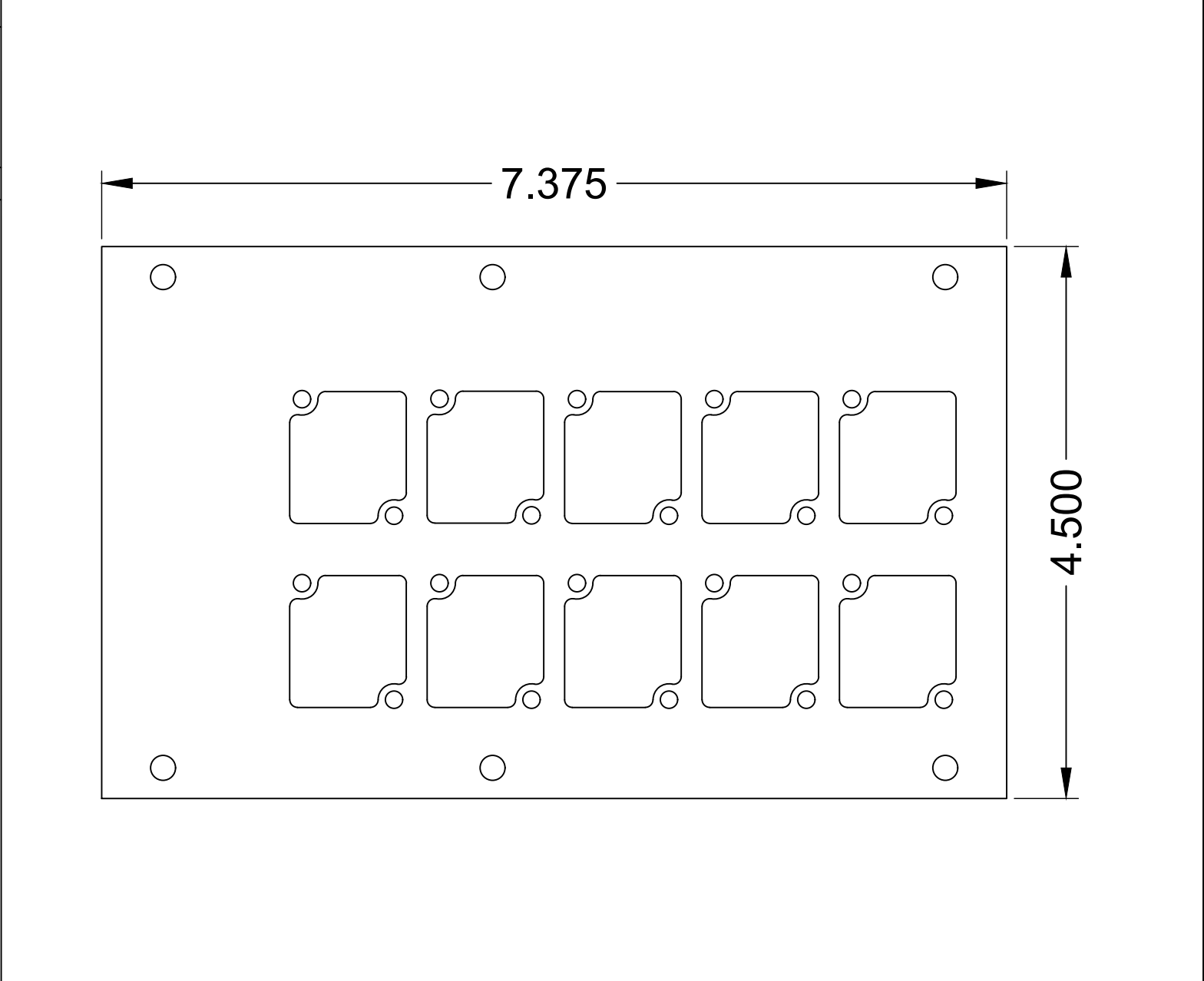
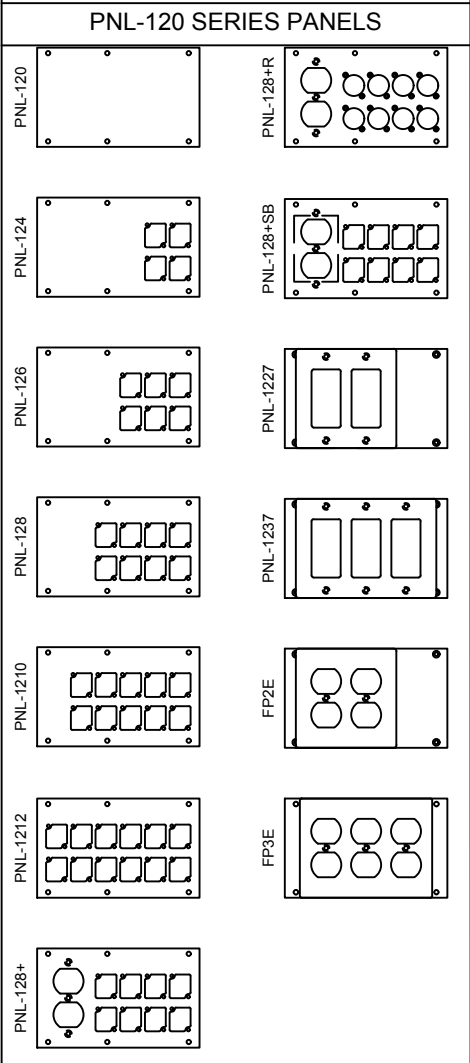


COMPATIBLE POCKETS

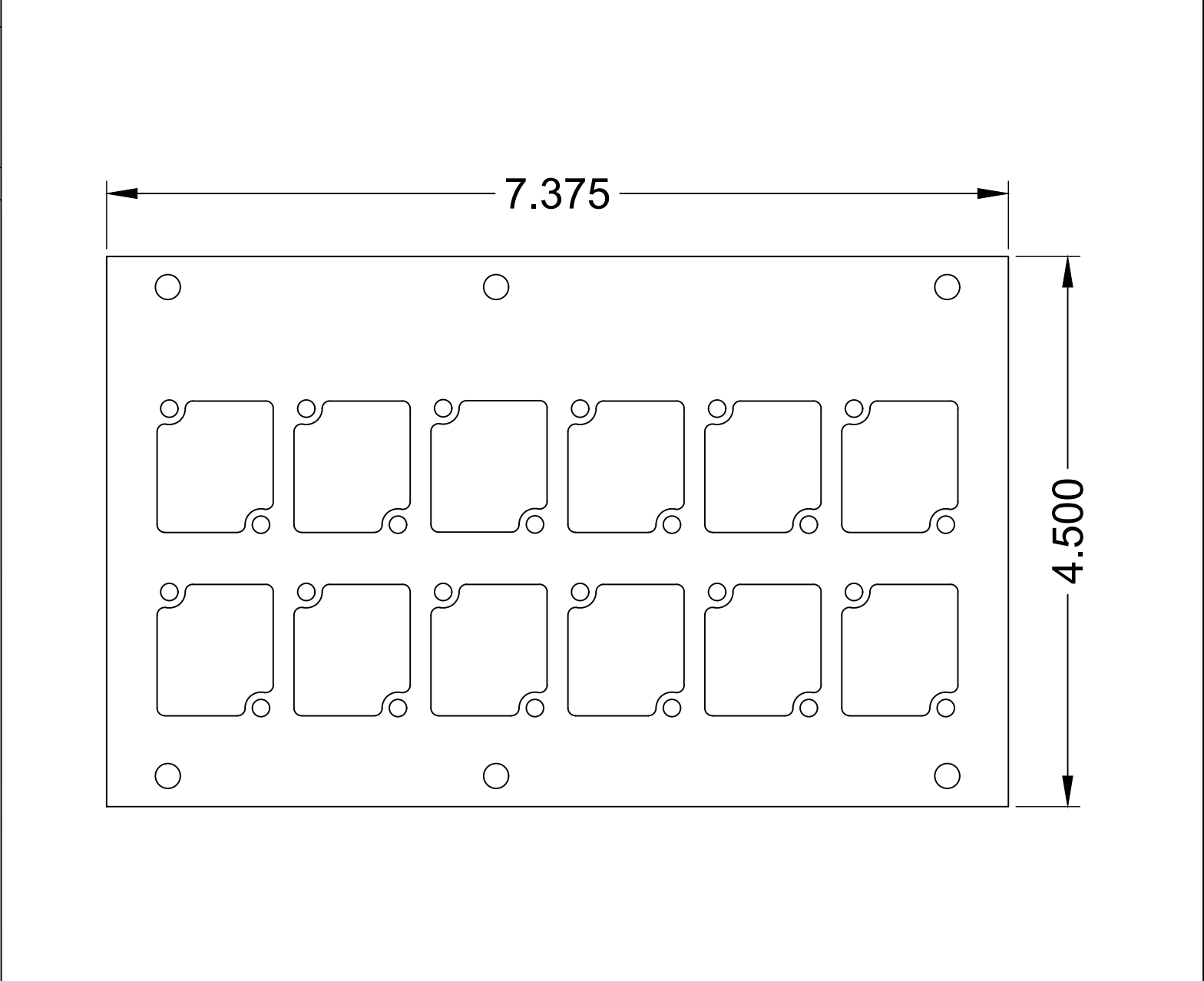
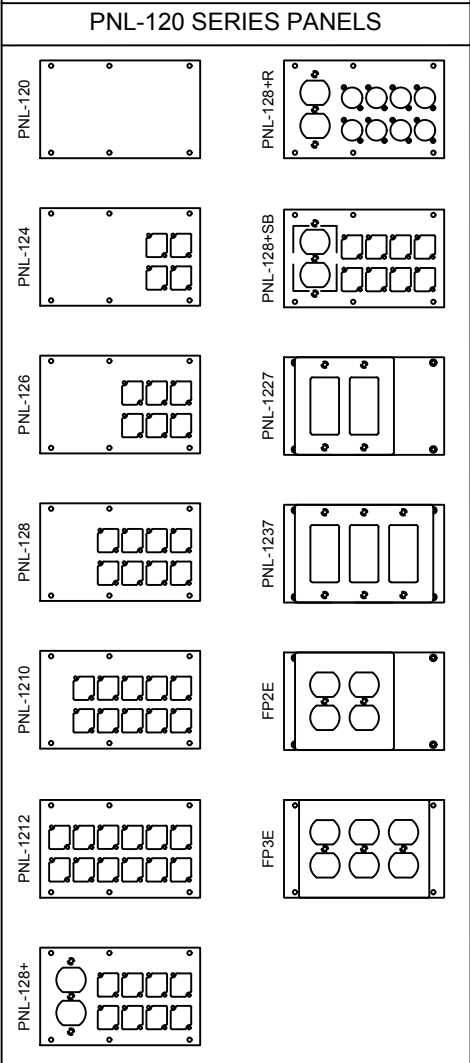
- FULL
- DOUBLE WIDE
- SUPER
- SUPER DOUBLE WIDE



| | | | | |
|---|------------------------|-------------------------------|---|--------------|
| REVISED: 01/2021 | MATERIAL: | FINISH: | DESCRIPTION: | REV |
| ALL DIMENSIONS ARE FOR REFERENCE ONLY. ALL DIMENSIONS ARE IN INCHES | 1/16" 6061-T6 ALUMINUM | BLACK POWDER COAT, SEMI GLOSS | FLOOR POCKET PANEL WITH (10) CONNECTRIX CUTOUTS | 1 |
| | | | | SHEET |
| | | | | 1 of 1 |

COMPATIBLE POCKETS

- FULL
- DOUBLE WIDE
- SUPER
- SUPER DOUBLE WIDE



| | | | | |
|---|------------------------|-------------------------------|---|-----------------|
| REVISED: 01/2021 | MATERIAL: | FINISH: | DESCRIPTION: | REV |
| ALL DIMENSIONS ARE FOR REFERENCE ONLY. ALL DIMENSIONS ARE IN INCHES | 1/16" 6061-T6 ALUMINUM | BLACK POWDER COAT, SEMI GLOSS | FLOOR POCKET PANEL WITH (12) CONNECTRIX CUTOUTS | 1 |
| | | | | SHEET 1 of 1 |

MODEL NO.

PNL-120

SERIES

PNL-120 SERIES

TYPE

FLOOR POCKET PANEL



PROUDLY MADE IN THE U.S.A.

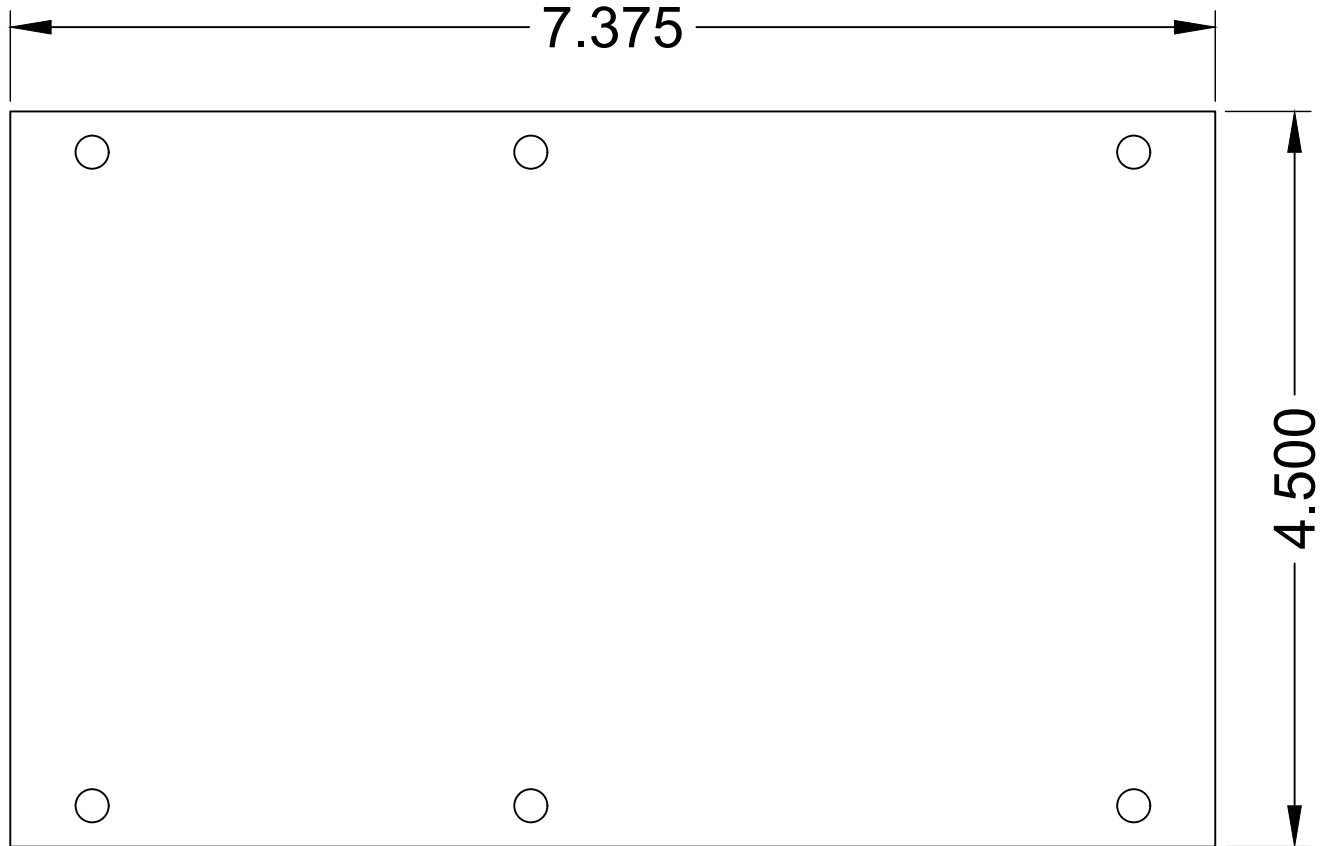
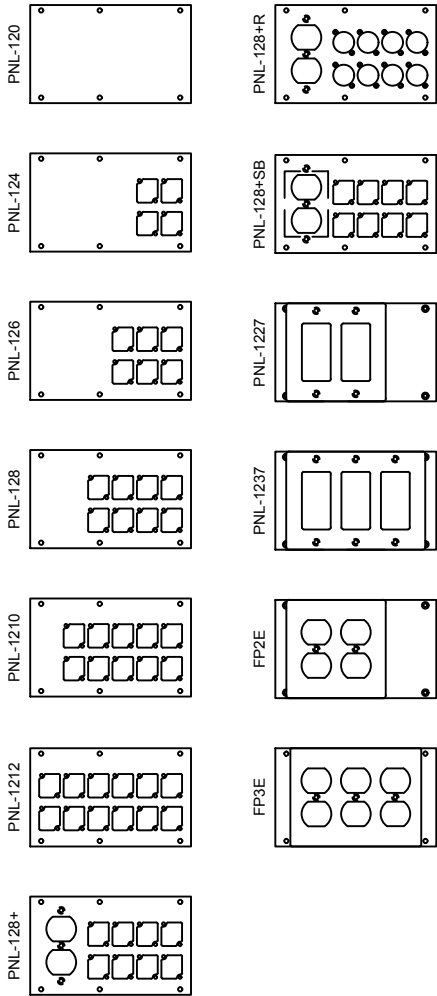


ACE BACKSTAGE CO
Stage Pocket Systems *Connectivity*
www.acebackstage.com

COMPATIBLE POCKETS

- FULL
- DOUBLE WIDE
- SUPER
- SUPER DOUBLE WIDE

PNL-120 SERIES PANELS



REVISED: 01/2021

MATERIAL:

1/16" 6061-T6 ALUMINUM

FINISH:

BLACK POWDER COAT, SEMI GLOSS

DESCRIPTION:

FLOOR POCKET PANEL, BLANK.

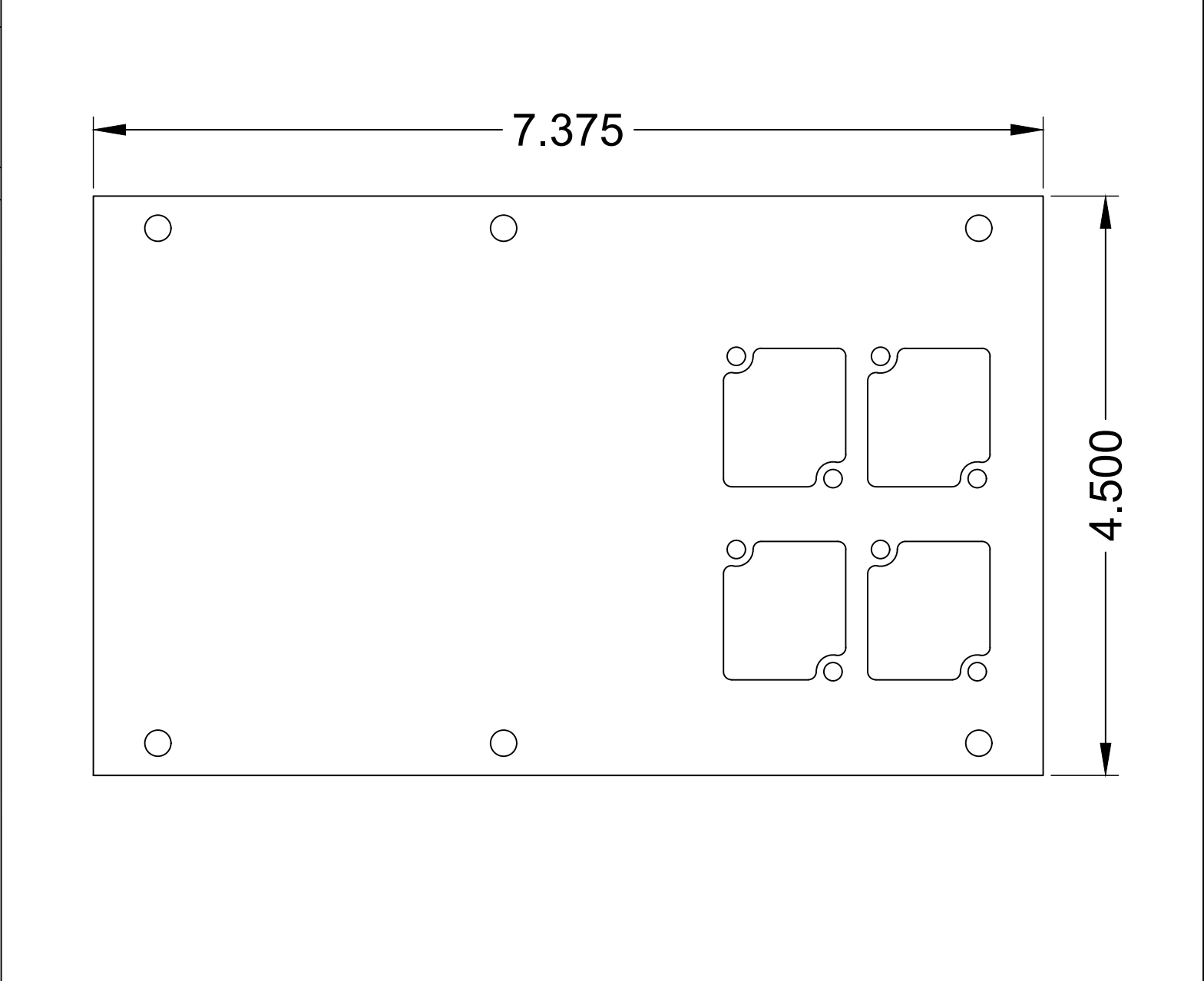
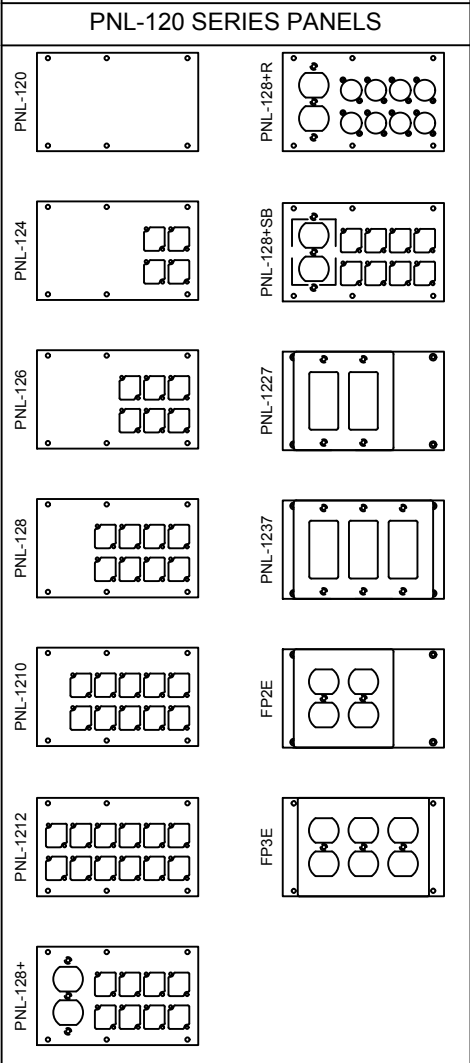
REV
1

SHEET
1 OF 1

ALL DIMENSIONS ARE FOR REFERENCE ONLY. ALL DIMENSIONS ARE IN INCHES

COMPATIBLE POCKETS

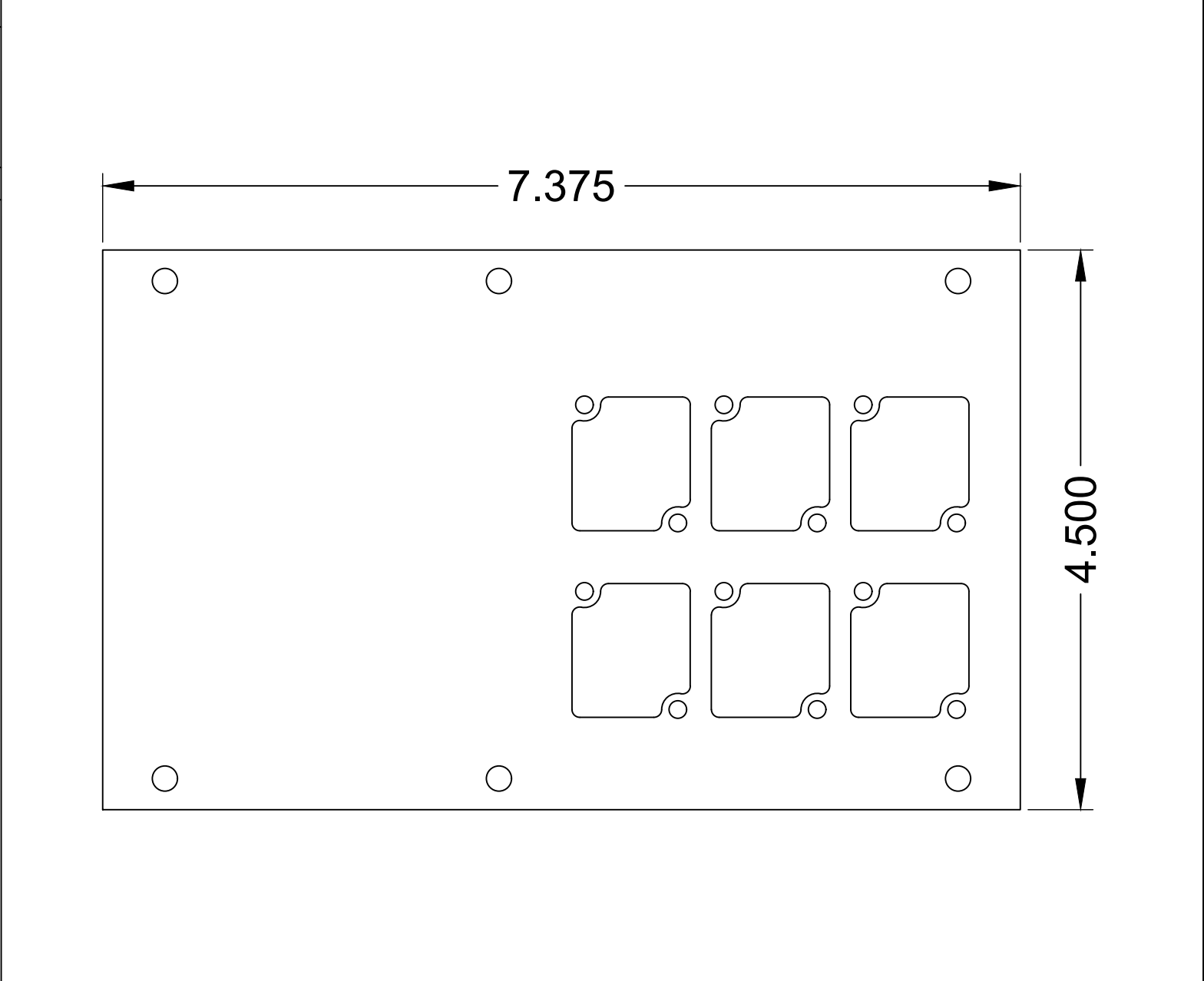
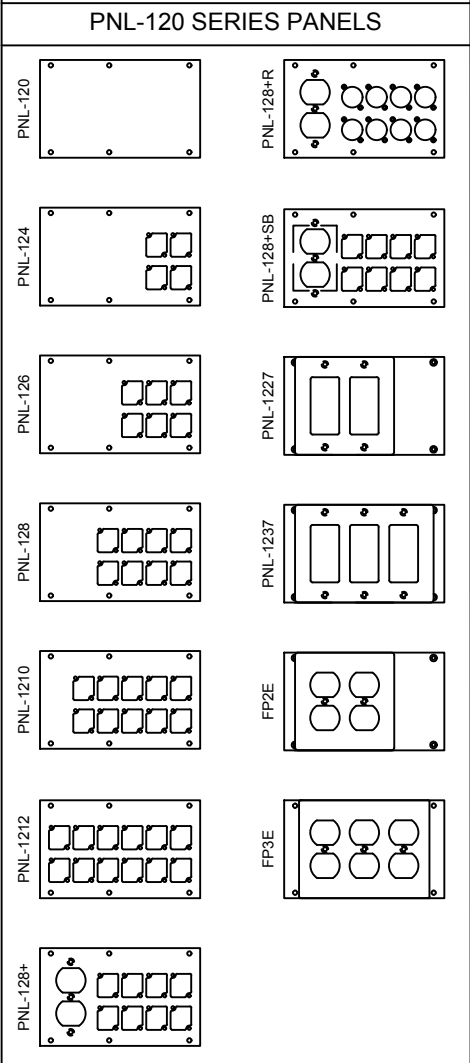
- FULL
- DOUBLE WIDE
- SUPER
- SUPER DOUBLE WIDE



| | | | | |
|---|------------------------|-------------------------------|--|-----------------|
| REVISED: 01/2021 | MATERIAL: | FINISH: | DESCRIPTION: | REV |
| ALL DIMENSIONS ARE FOR REFERENCE ONLY. ALL DIMENSIONS ARE IN INCHES | 1/16" 6061-T6 ALUMINUM | BLACK POWDER COAT, SEMI GLOSS | FLOOR POCKET PANEL WITH (4) CONNECTRIX CUTOUTS | 1 |
| | | | | SHEET 1 OF 1 |

COMPATIBLE POCKETS

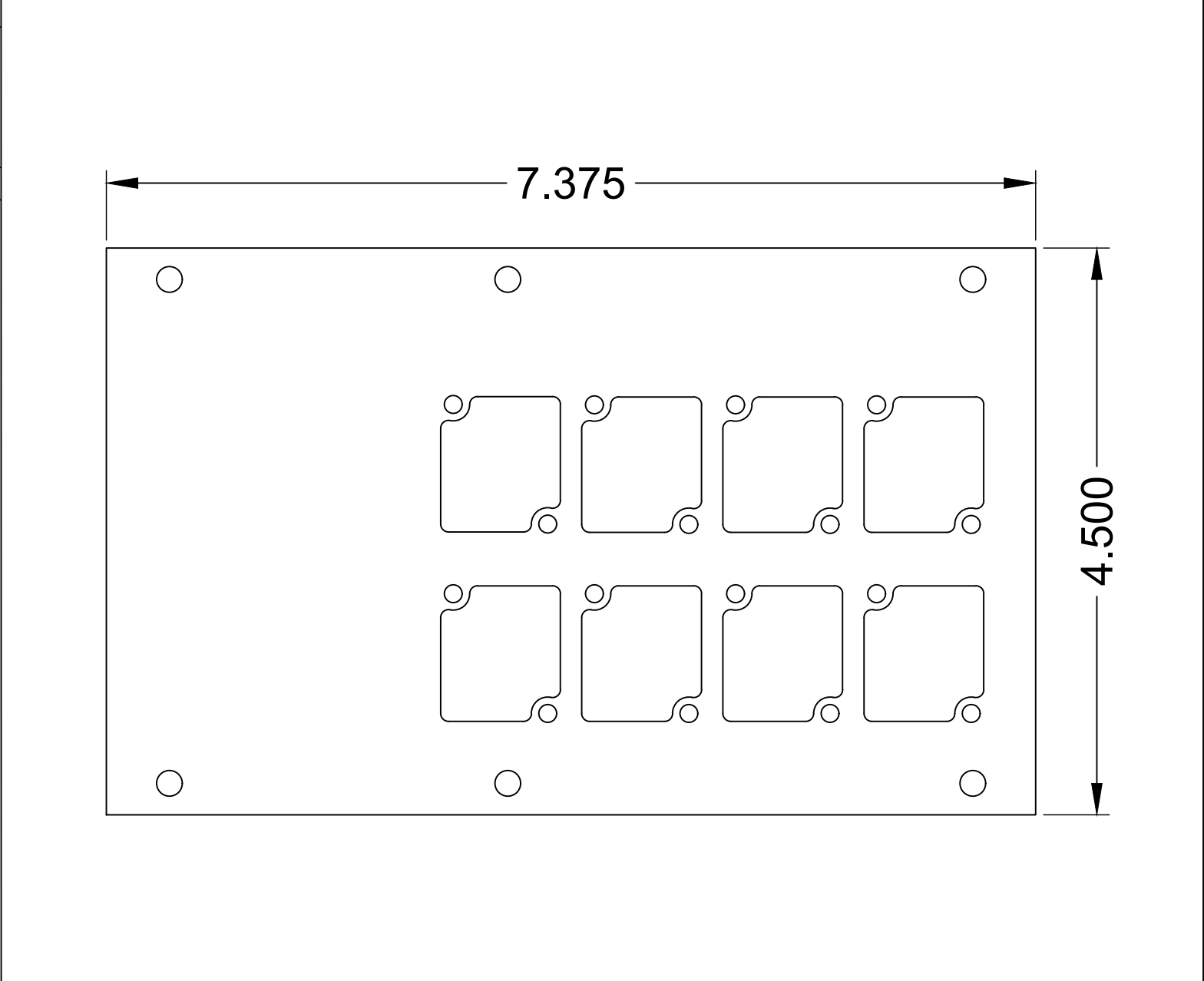
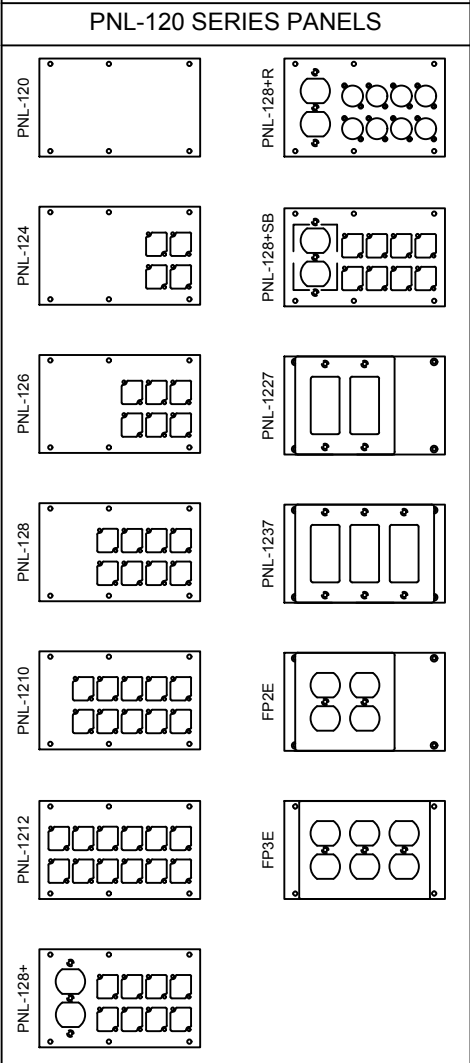
- FULL
- DOUBLE WIDE
- SUPER
- SUPER DOUBLE WIDE



| | | | | |
|---|------------------------|-------------------------------|--|---------------|
| REVISED: 01/2021 | MATERIAL: | FINISH: | DESCRIPTION: | REV |
| ALL DIMENSIONS ARE FOR REFERENCE ONLY. ALL DIMENSIONS ARE IN INCHES | 1/16" 6061-T6 ALUMINUM | BLACK POWDER COAT, SEMI GLOSS | FLOOR POCKET PANEL WITH (6) CONNECTRIX CUTOUTS | 1 |
| | | | | SHEET |
| | | | | 1 OF 1 |

COMPATIBLE POCKETS

- FULL
- DOUBLE WIDE
- SUPER
- SUPER DOUBLE WIDE

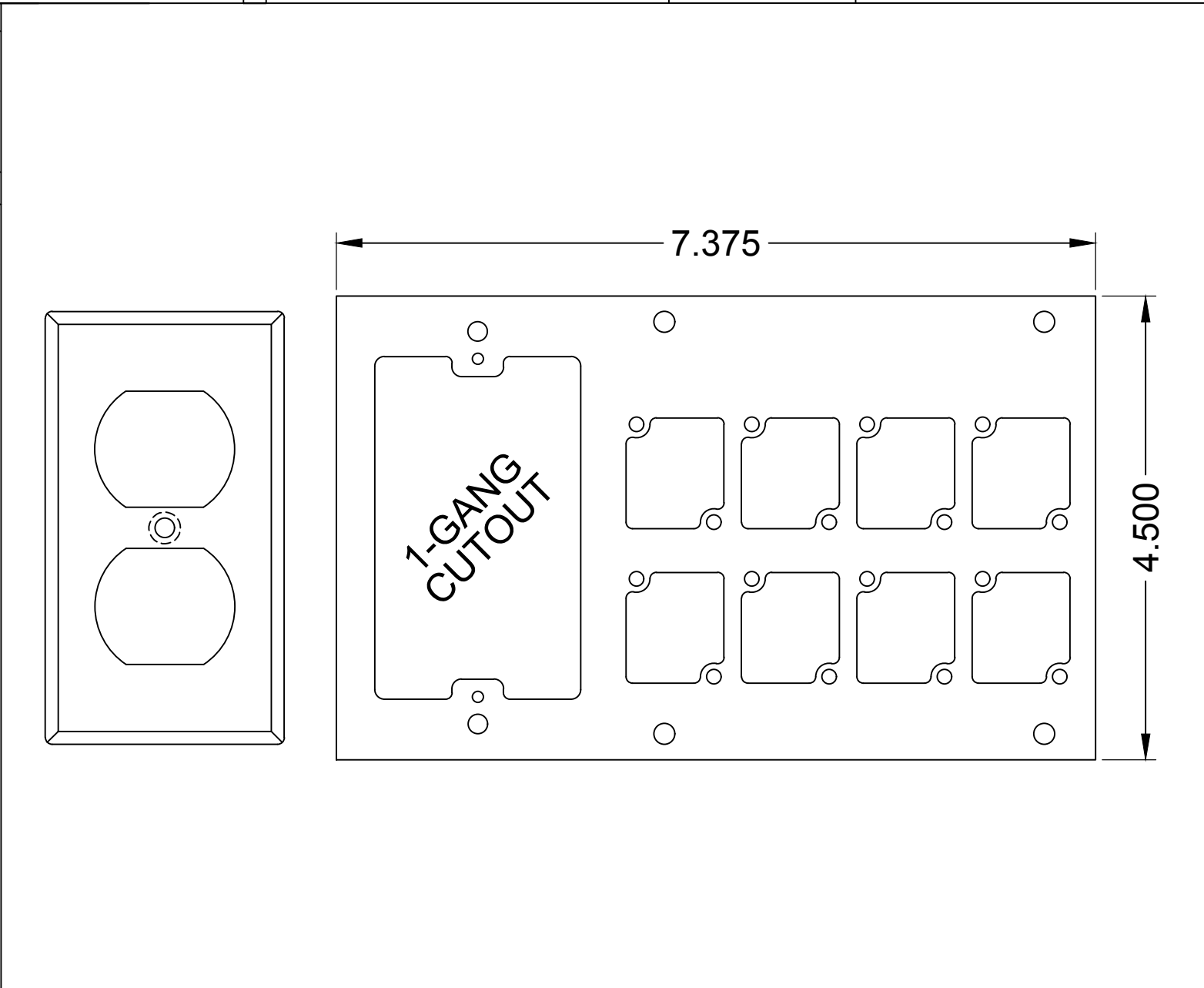
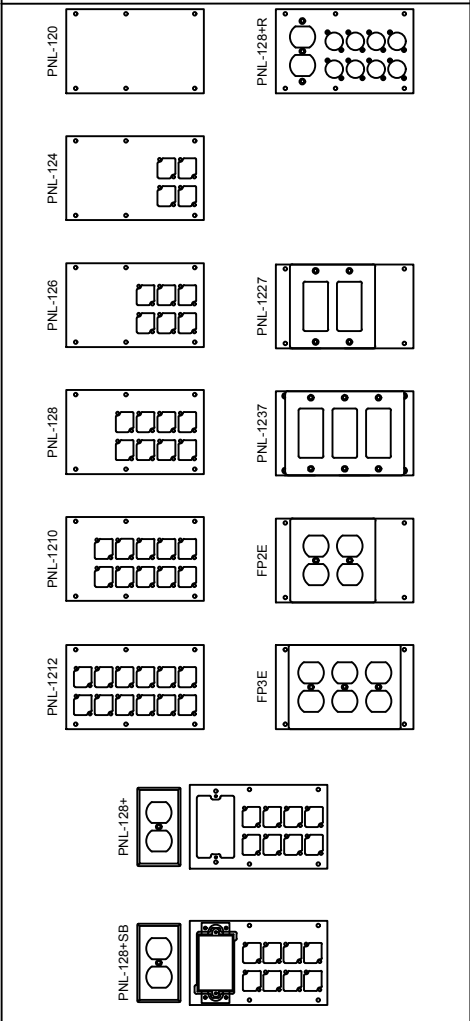


| | | | | |
|---|------------------------|-------------------------------|--|------------|
| REVISED: 01/2021 | MATERIAL: | FINISH: | DESCRIPTION: | REV |
| ALL DIMENSIONS ARE FOR REFERENCE ONLY. ALL DIMENSIONS ARE IN INCHES | 1/16" 6061-T6 ALUMINUM | BLACK POWDER COAT, SEMI GLOSS | FLOOR POCKET PANEL WITH (8) CONNECTRIX CUTOUTS | 1 |
| | | | | SHEET |
| | | | | 1 OF 1 |

COMPATIBLE POCKETS

- FULL
- DOUBLE WIDE
- SUPER
- SUPER DOUBLE WIDE

PNL-120 SERIES PANELS

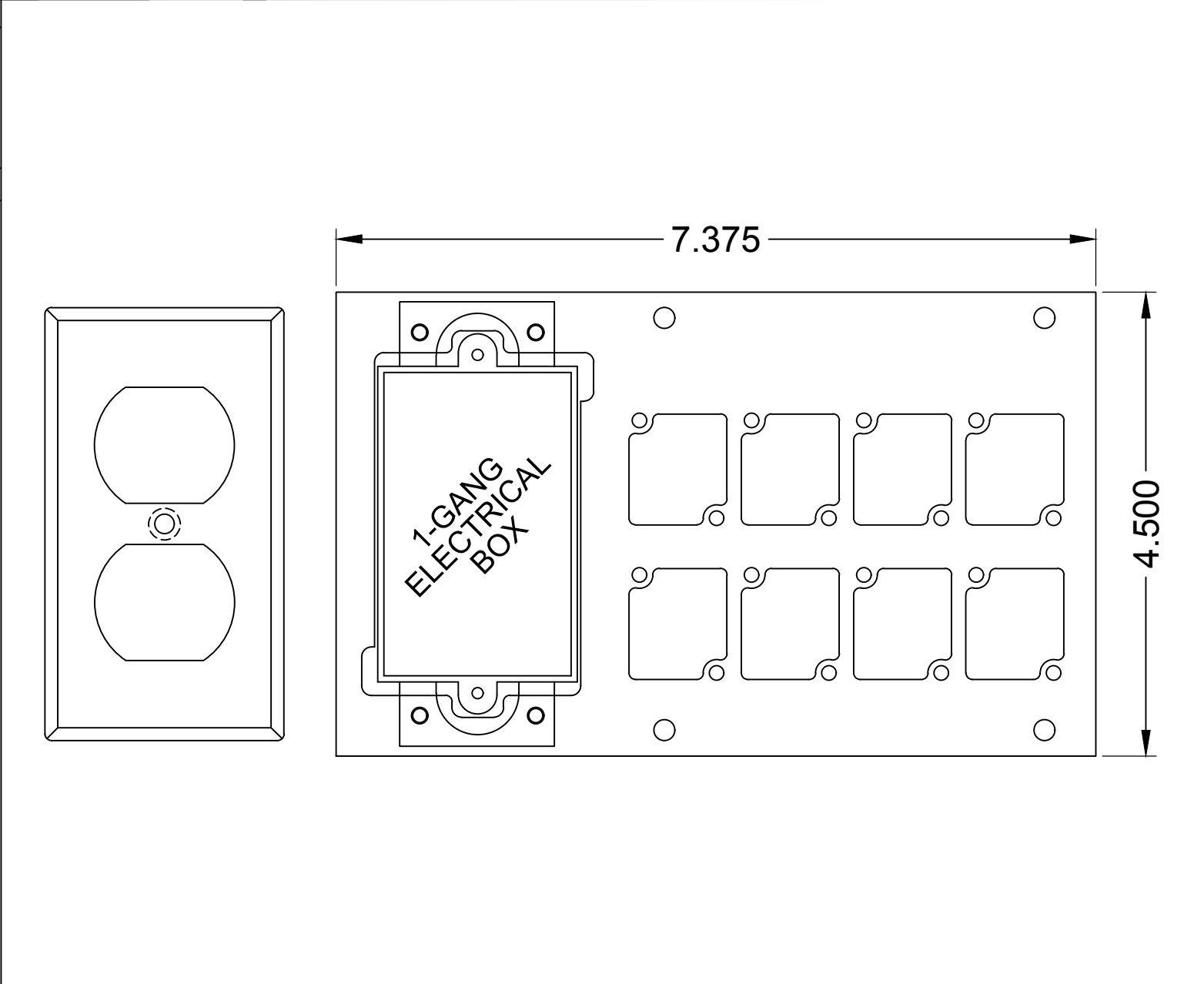
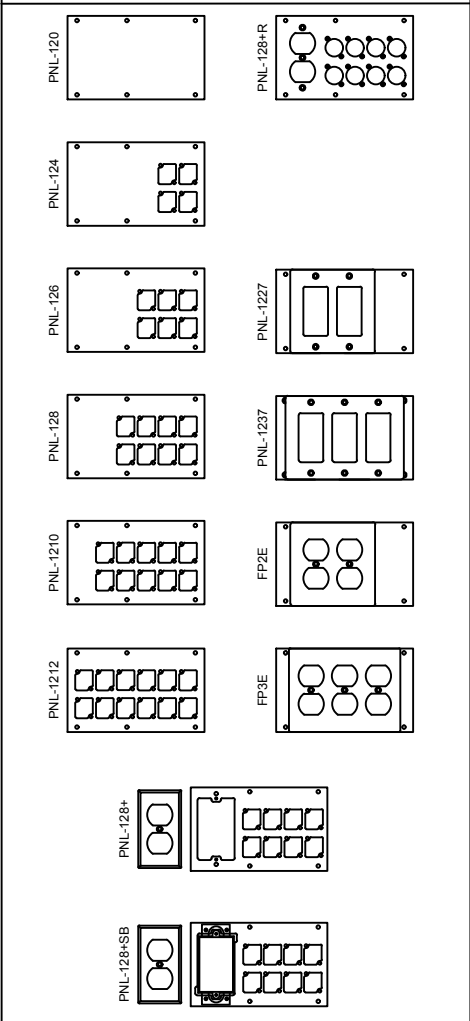


| | | | | |
|-------------------------|---|--|--|---|
| REVISED: 01/2021 | MATERIAL: 1/16" 6061-T6 ALUMINUM | FINISH: BLACK POWDER COAT, SEMI GLOSS | DESCRIPTION: FLOOR POCKET PANEL WITH (8) CONNECTRIX CUTOUTS AND (1) SINGLE GANG CUTOUT. DUPLEX COVER PLATE PROVIDED (DB). | REV 1 SHEET 1 of 1 |
|-------------------------|---|--|--|---|

COMPATIBLE POCKETS

- FULL
- DOUBLE WIDE
- SUPER
- SUPER DOUBLE WIDE

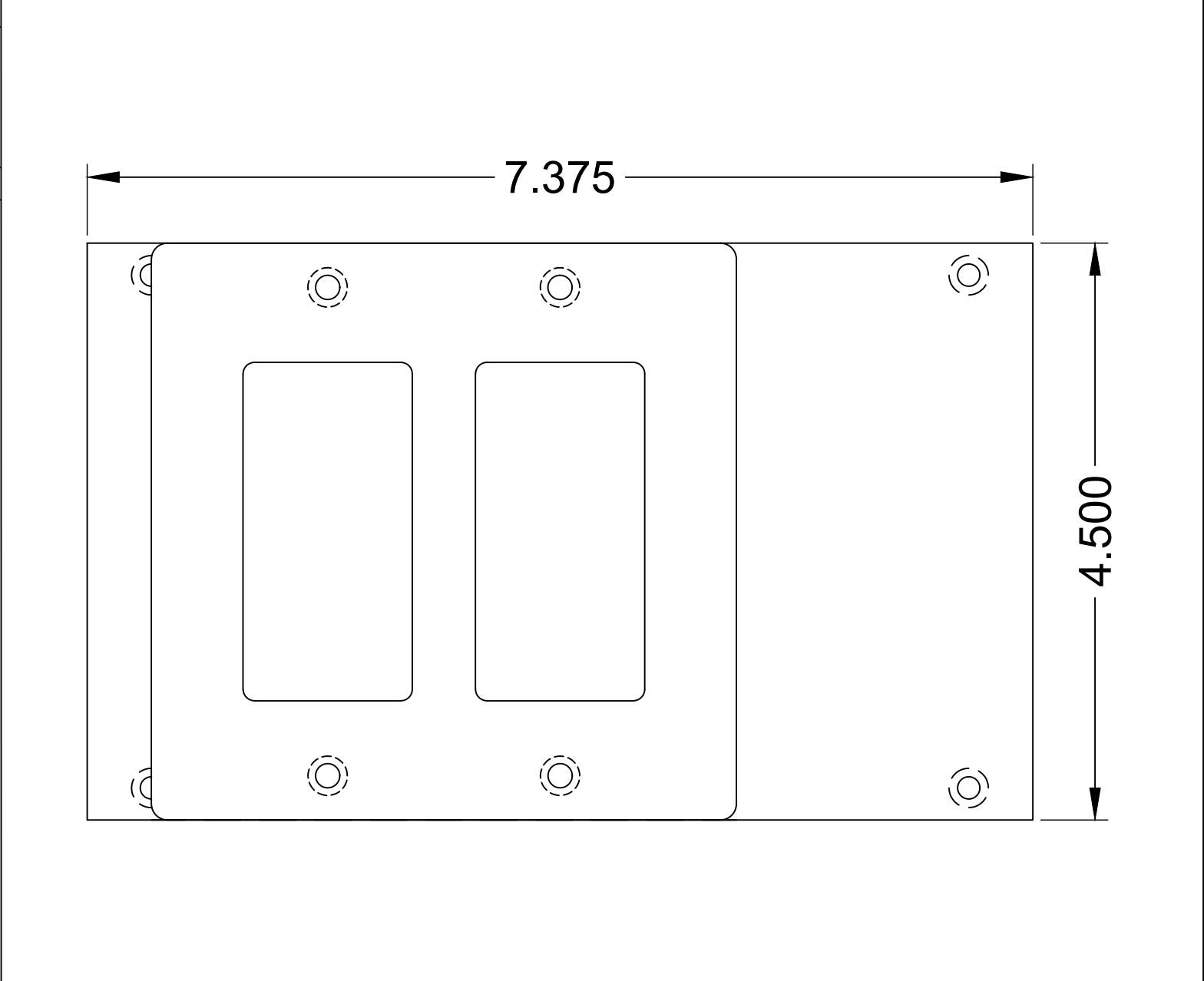
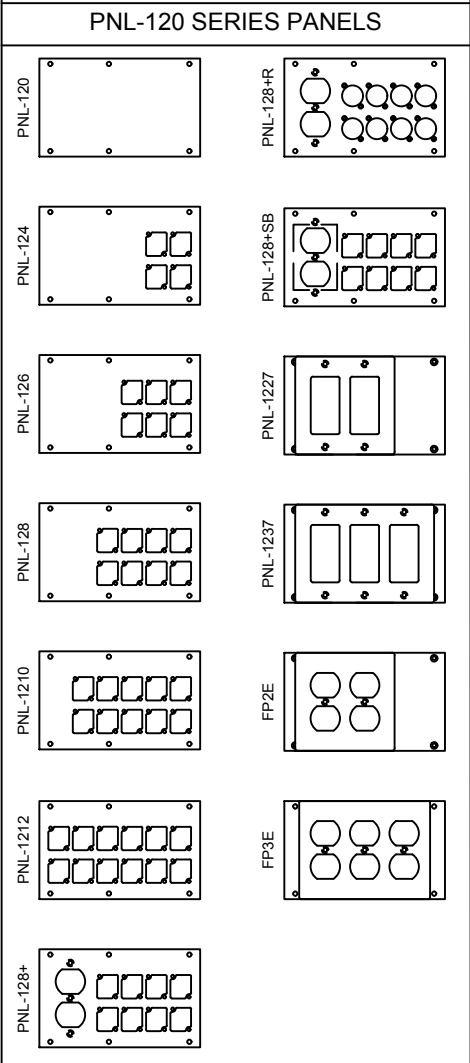
PNL-120 SERIES PANELS



| | | | | |
|---|------------------------|-------------------------------|---|-----------------|
| REVISED: 01/2021 | MATERIAL: | FINISH: | DESCRIPTION: | REV 1 |
| ALL DIMENSIONS ARE FOR REFERENCE ONLY. ALL DIMENSIONS ARE IN INCHES | 1/16" 6061-T6 ALUMINUM | BLACK POWDER COAT, SEMI GLOSS | FLOOR POCKET PANEL WITH (8) CONNECTRIX CUTOUTS, AND (1) SINGLE GANG ELECTRICAL BOX. DUPLEX COVER PLATE PROVIDED (DB). | SHEET 1 of 1 |

COMPATIBLE POCKETS

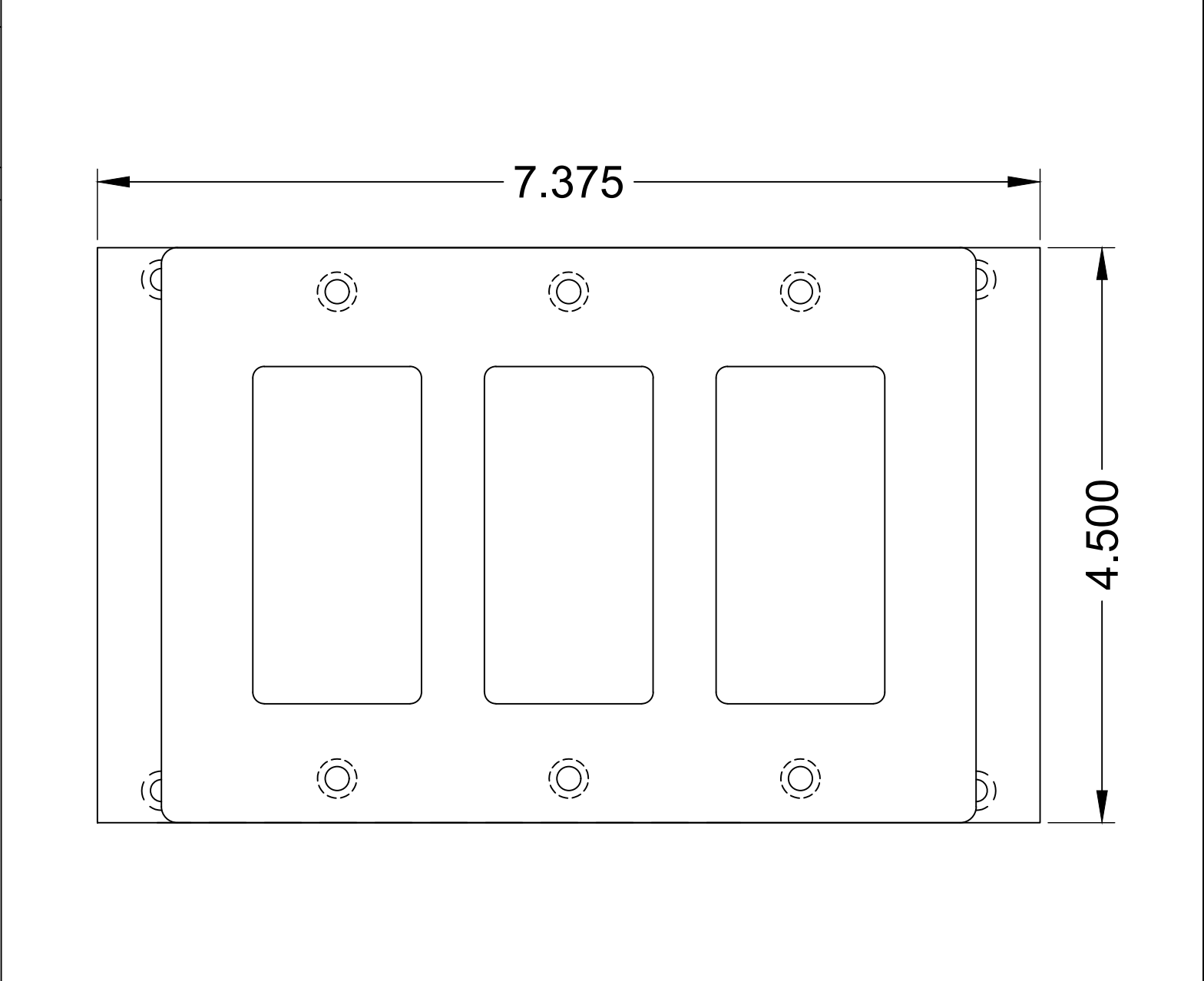
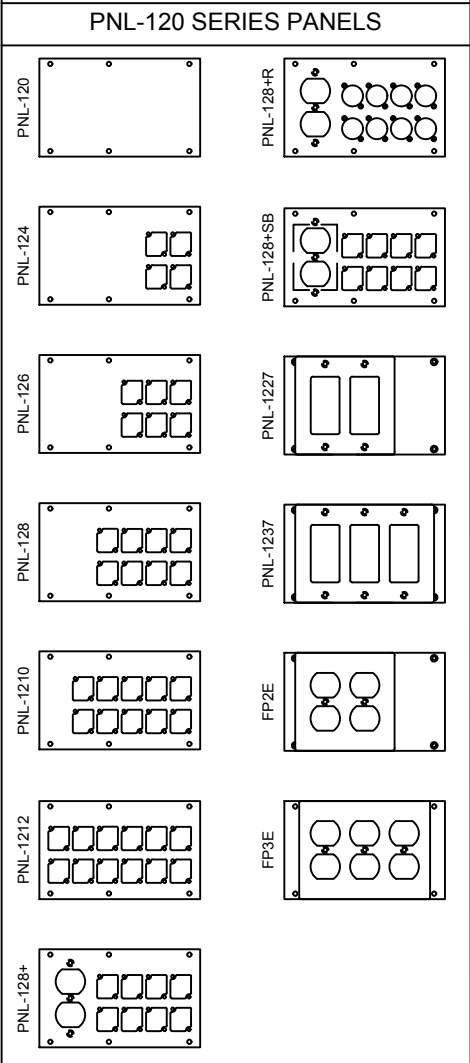
- FULL
- DOUBLE WIDE
- SUPER
- SUPER DOUBLE WIDE



| | | | | |
|---|----------------------------------|---------------------------------------|--|-----------------|
| REVISED: 01/2021 | MATERIAL: 1/16" 6061-T6 ALUMINUM | FINISH: BLACK POWDER COAT, SEMI GLOSS | DESCRIPTION: FLOOR POCKET PANEL WITH TWO-GANG CUTOUT AND DUAL DECORA COVER PLATE | REV 1 |
| ALL DIMENSIONS ARE FOR REFERENCE ONLY. ALL DIMENSIONS ARE IN INCHES | | | | SHEET 1 OF 1 |

COMPATIBLE POCKETS

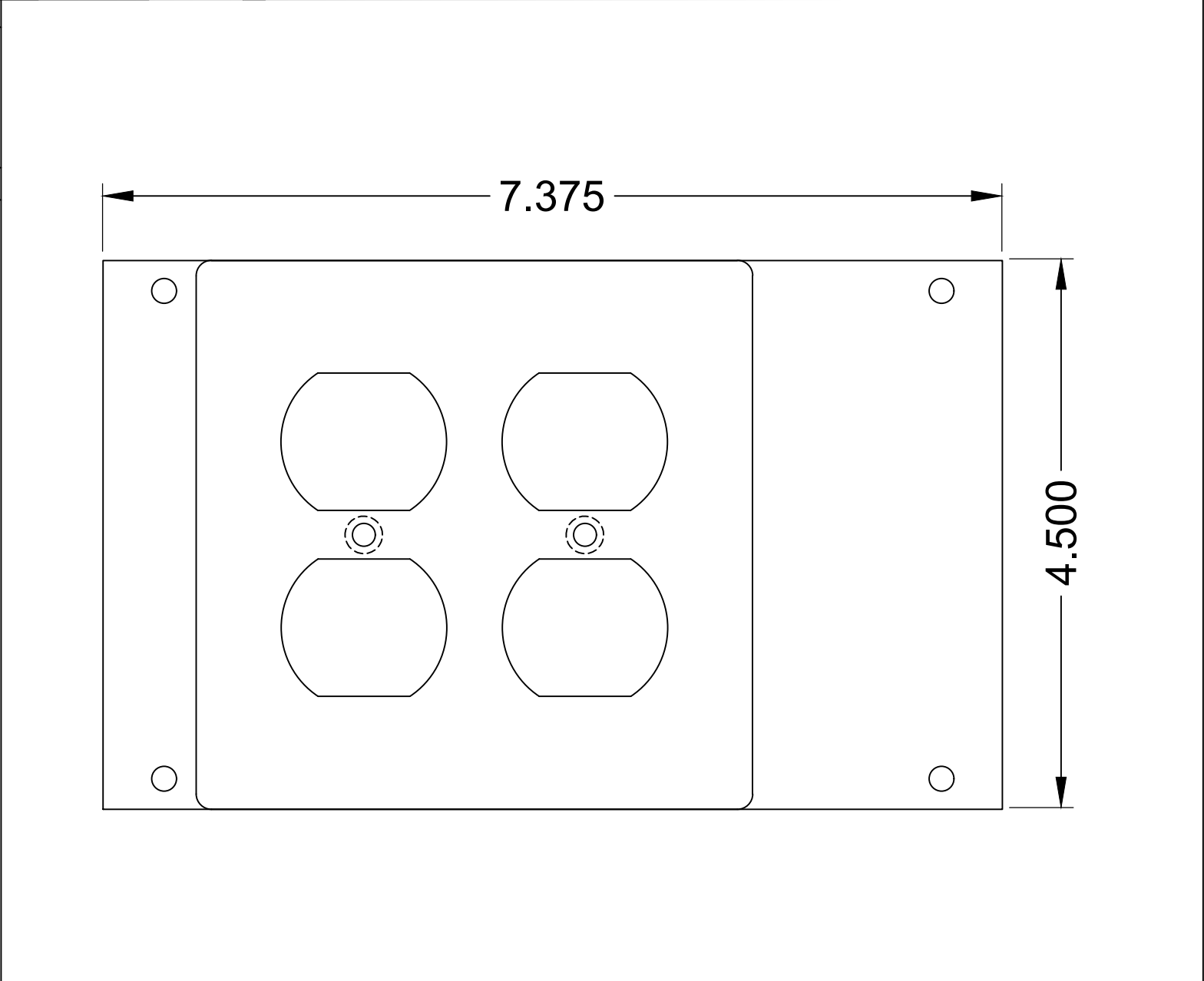
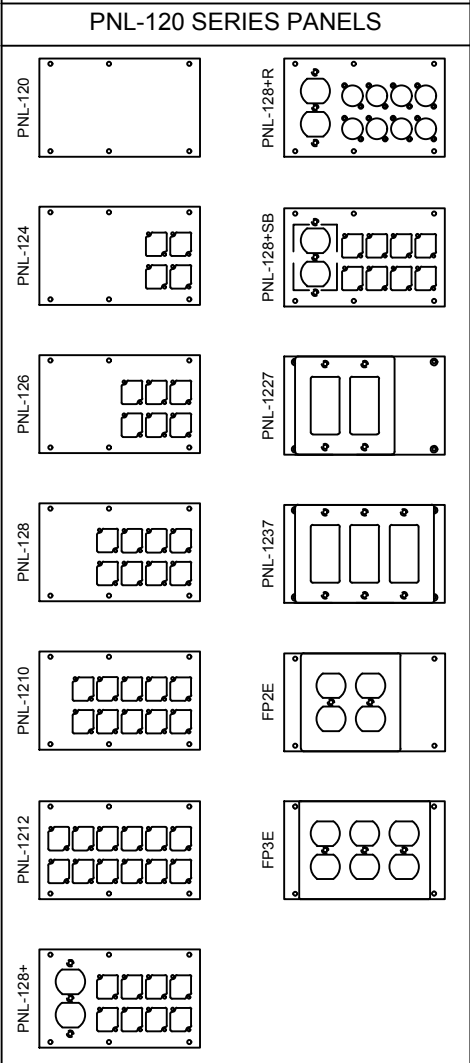
- FULL
- DOUBLE WIDE
- SUPER
- SUPER DOUBLE WIDE



| | | | | |
|---|-------------------------------|--------------------------------------|--|-----------------|
| REVISED: 01/2021 | MATERIAL: | FINISH: | DESCRIPTION: | REV 1 |
| ALL DIMENSIONS ARE FOR REFERENCE ONLY. ALL DIMENSIONS ARE IN INCHES | 1/16" 6061-T6 ALUMINUM | BLACK POWDER COAT, SEMI GLOSS | FLOOR POCKET PANEL WITH THREE-GANG CUTOUT AND TRIPLE DECORA COVER PLATE | SHEET 1 OF 1 |

COMPATIBLE POCKETS

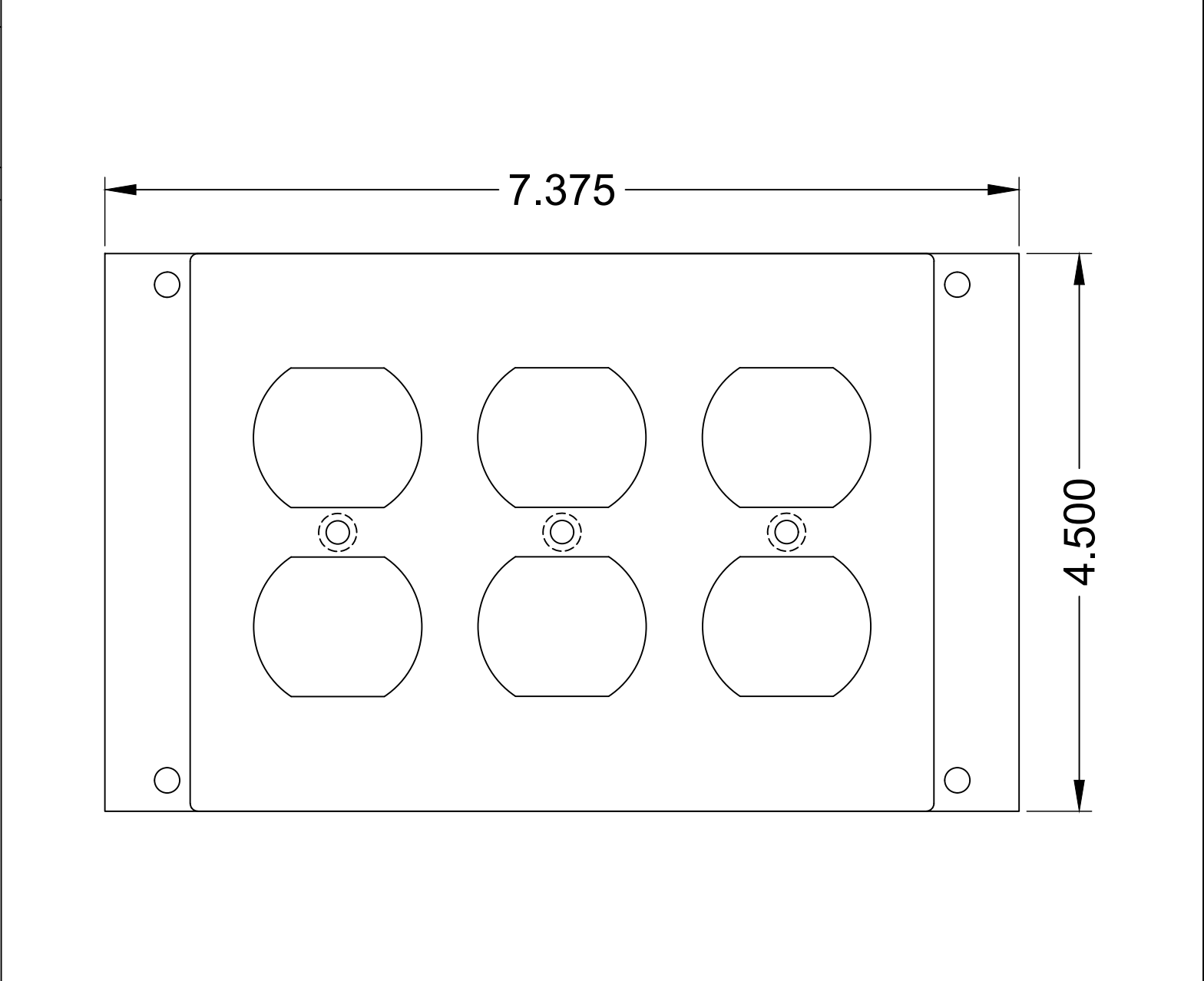
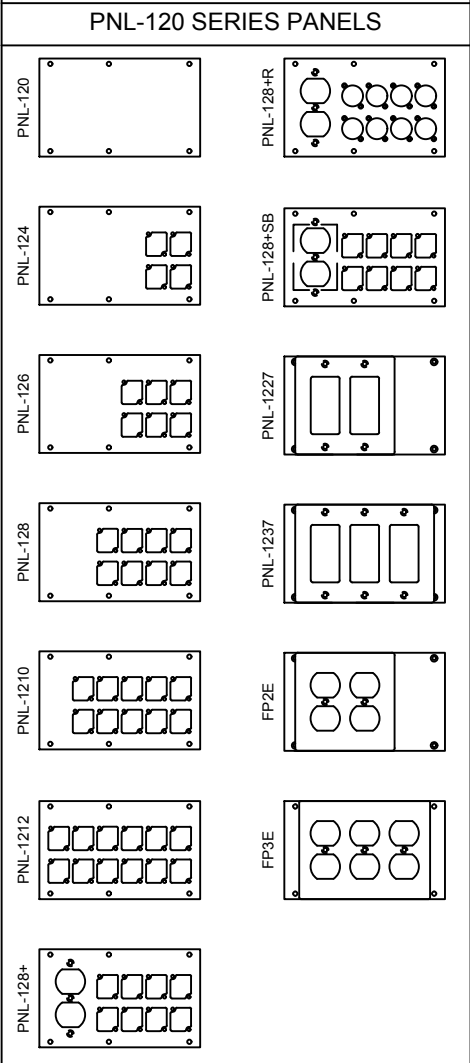
- FULL
- DOUBLE WIDE
- SUPER
- SUPER DOUBLE WIDE



| | | | | |
|---|------------------------|-------------------------------|--|-----------------|
| REVISED: 01/2021 | MATERIAL: | FINISH: | DESCRIPTION: | REV |
| ALL DIMENSIONS ARE FOR REFERENCE ONLY. ALL DIMENSIONS ARE IN INCHES | 1/16" 6061-T6 ALUMINUM | BLACK POWDER COAT, SEMI GLOSS | FLOOR POCKET PANEL WITH TWO-GANG ELECTRICAL BOX AND QUAD COVER PLATE | 1 |
| | | | | SHEET 1 OF 1 |

COMPATIBLE POCKETS

- FULL
- DOUBLE WIDE
- SUPER
- SUPER DOUBLE WIDE



| | | | | |
|---|----------------------------------|---------------------------------------|--|-----------------|
| REVISED: 01/2021 | MATERIAL: 1/16" 6061-T6 ALUMINUM | FINISH: BLACK POWDER COAT, SEMI GLOSS | DESCRIPTION: FLOOR POCKET PANEL WITH THREE-GANG ELECTRICAL BOX AND TRIPLE DUPLEX COVER PLATE | REV 1 |
| ALL DIMENSIONS ARE FOR REFERENCE ONLY. ALL DIMENSIONS ARE IN INCHES | | | | SHEET 1 OF 1 |