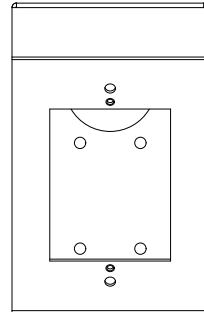
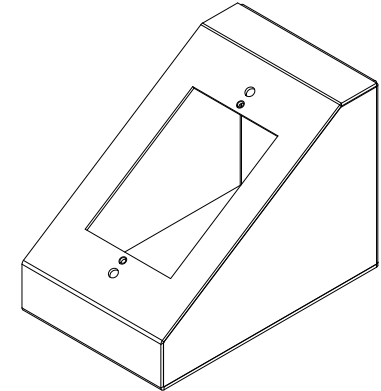


CONTROL PANEL MOUNT

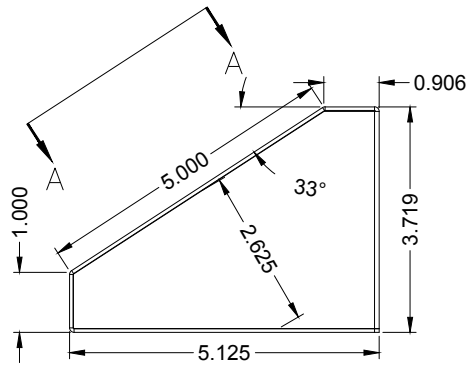
147G1BK



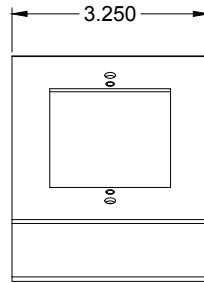
PROUDLY MADE
IN THE U.S.A.



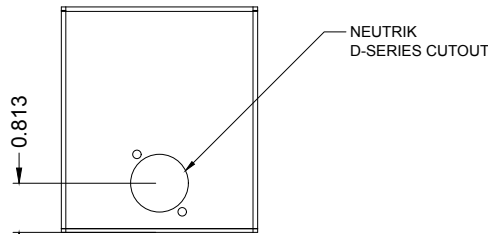
① TOP VIEW



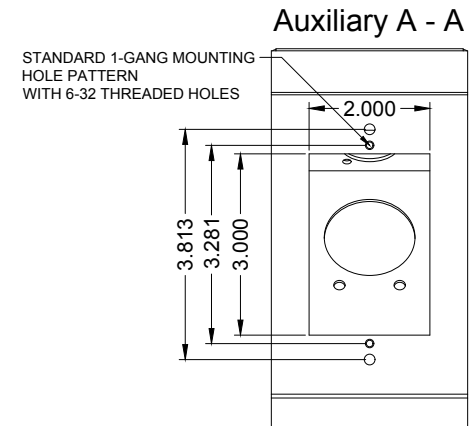
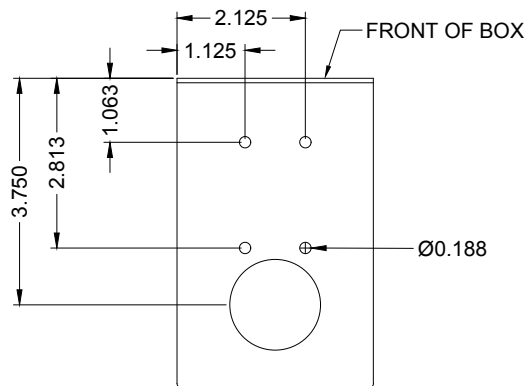
② SIDE VIEW



③ FRONT VIEW



④ REAR VIEW



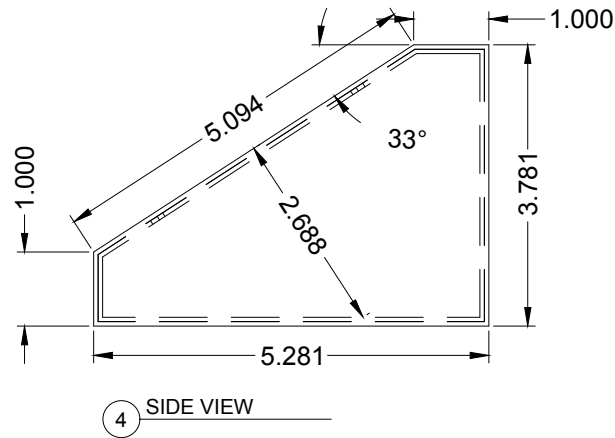
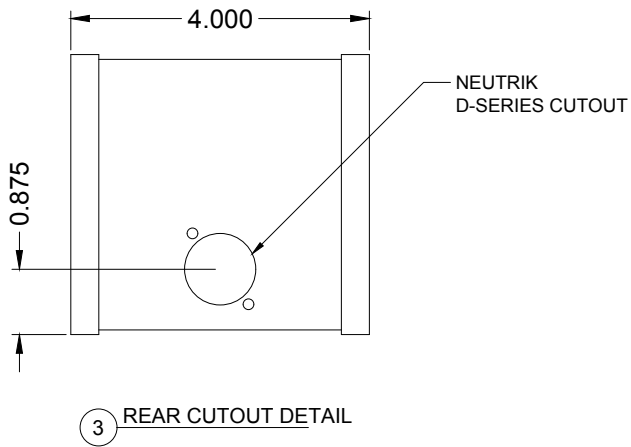
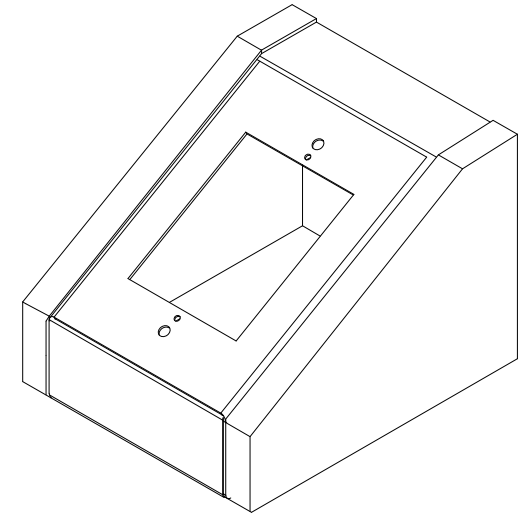
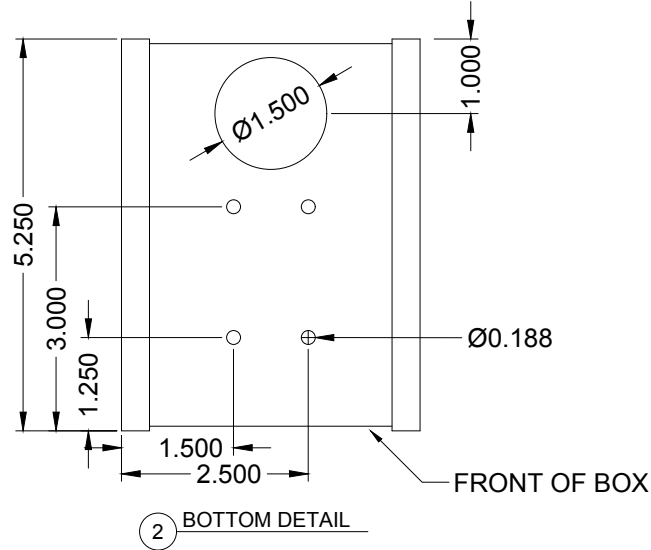
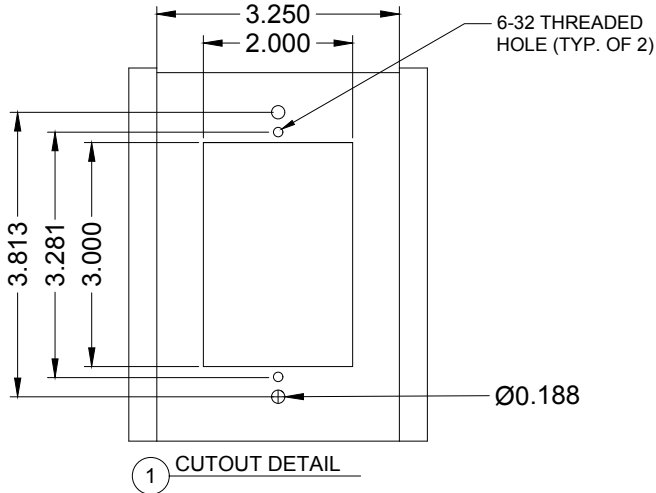
REVISION: 11/2019	FINISH CHOICES: - Textured Black Powder Coat	CAPACITY: (1) Single gang device or panel.	DESCRIPTION: Table Top Control Panel Mount for portable or permanent table/wall placement. Parts are 18/16ga CRS.	REV 1 SHEET 1 OF 1
-------------------	---	---	--	-----------------------------

CONTROL PANEL MOUNT

147G1WH



PROUDLY MADE
IN THE U.S.A.



REVISION: 11/2019

FINISH CHOICES:

- Semi Gloss Bright White Powder Coat

CAPACITY:

(1) Single gang device or panel.

DESCRIPTION:

Table Top Control Panel Mount for portable or permanent table/wall placement. Parts are 18/16ga CRS.

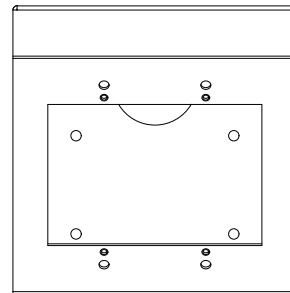
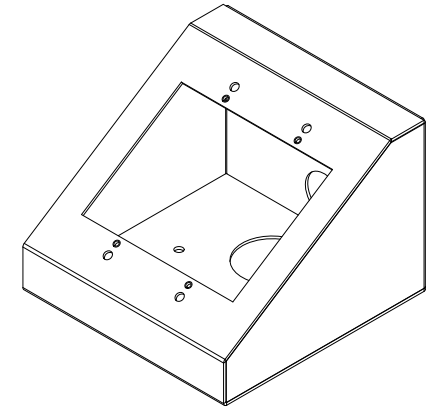
REV
1
SHEET
1 OF 1

CONTROL PANEL MOUNT

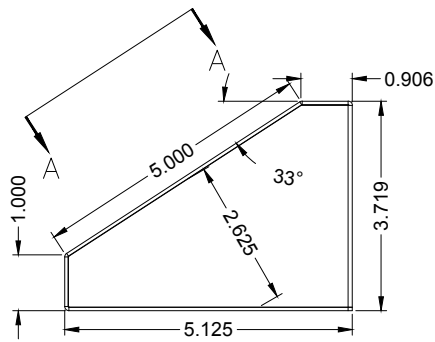
147G2BK



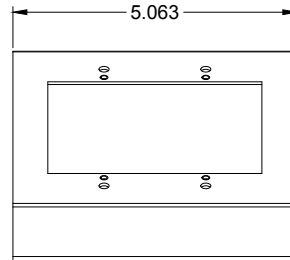
PROUDLY MADE
IN THE U.S.A.



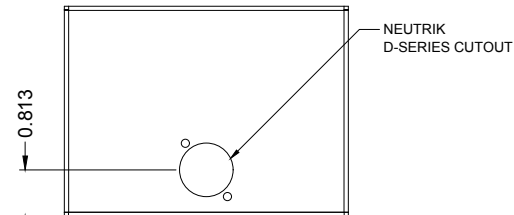
1 TOP VIEW



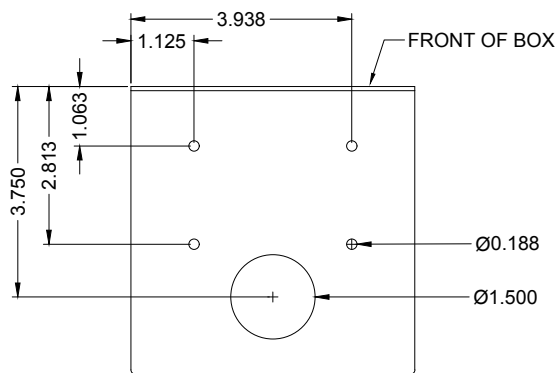
2 SIDE VIEW



3 FRONT VIEW



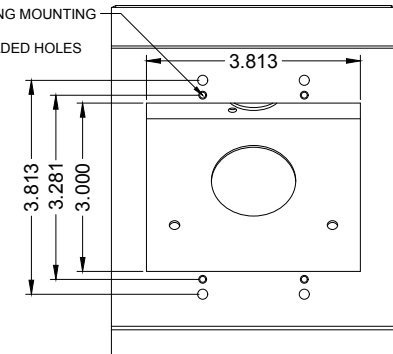
4 REAR VIEW



5 BOTTOM VIEW

Auxiliary A - A

STANDARD 2-GANG MOUNTING HOLE PATTERN WITH 6-32 THREADED HOLES



REVISION: 11/2019

FINISH CHOICES:

- Textured Black Powder Coat

CAPACITY:

(1) 2-gang device or panel.

DESCRIPTION:

Table Top Control Panel Mount for portable or permanent table/wall placement. Parts are 18/16ga CRS.

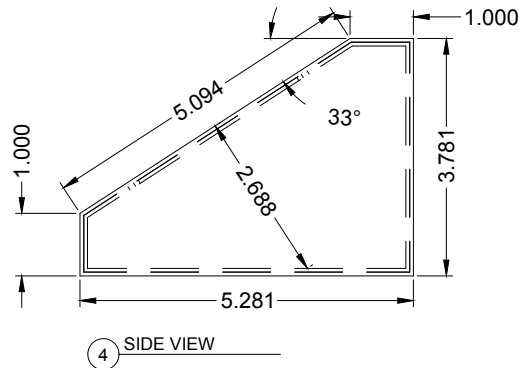
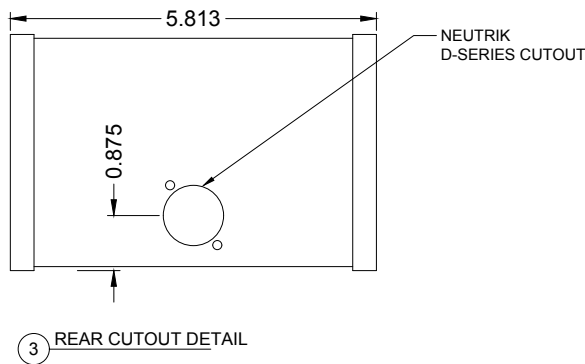
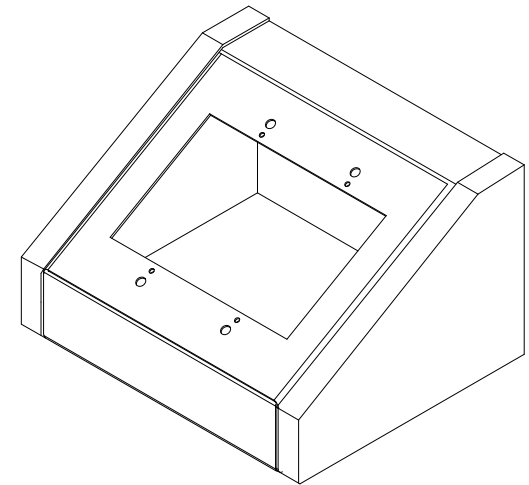
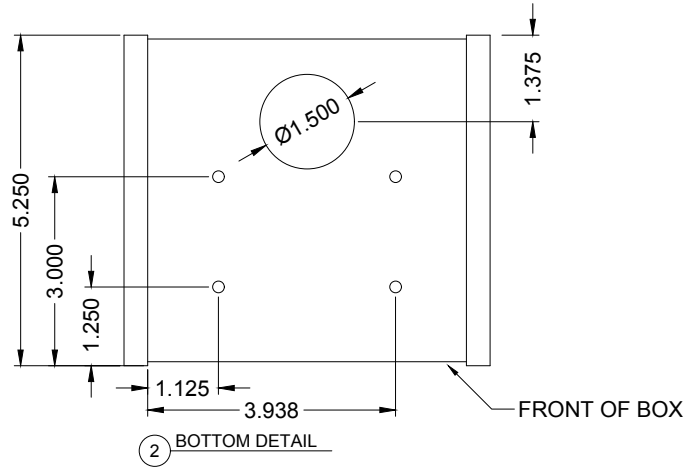
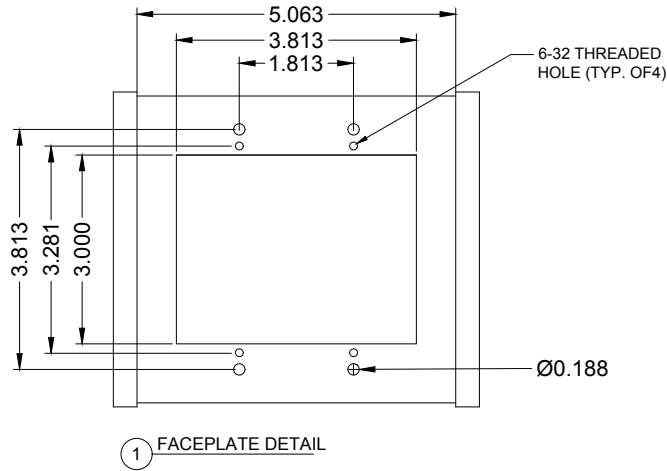
REV
1
SHEET
1 OF 1

CONTROL PANEL MOUNT

147G2WH



PROUDLY MADE IN THE U.S.A.



REVISION: 11/2019

BEZEL/LID FINISH CHOICES:

- Semi Gloss Bright White Powder Coat

CAPACITY:

(1) 2- gang device or panel.

DESCRIPTION:

Table Top Control Panel Mount for portable or permanent table/wall placement. Parts are 18/16ga CRS.

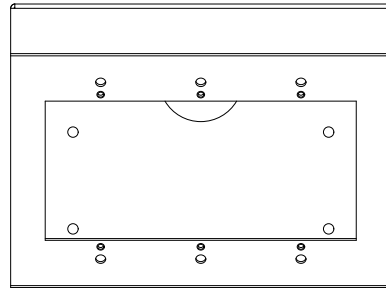
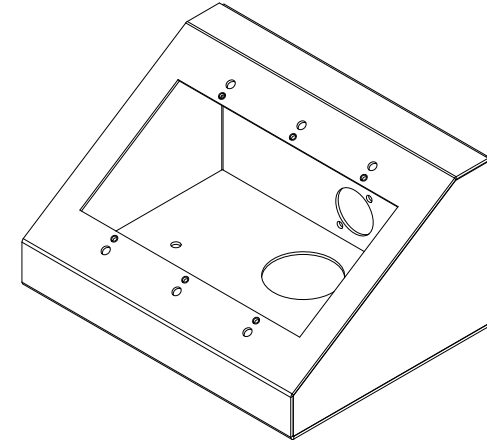
REV
1
SHEET
1 OF 1

CONTROL PANEL MOUNT

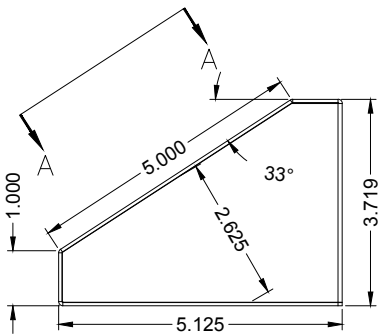
147G3BK



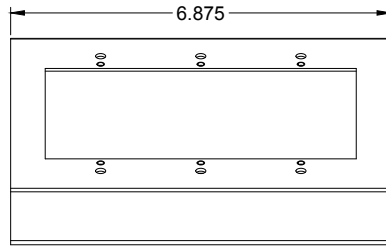
PROUDLY MADE
IN THE U.S.A.



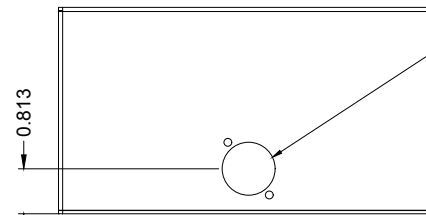
① TOP VIEW



② SIDE VIEW

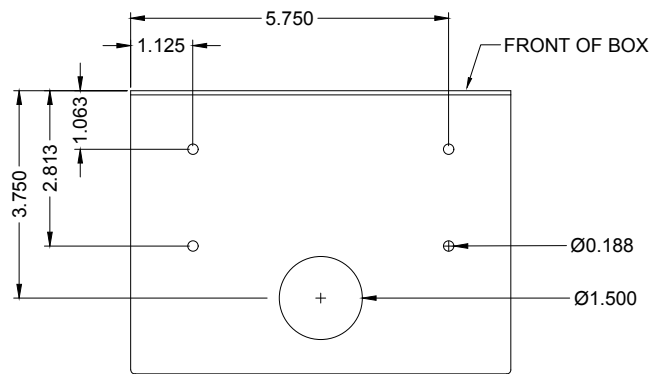


③ FRONT VIEW



④ REAR VIEW

NEUTRIK
D-SERIES CUTOUT

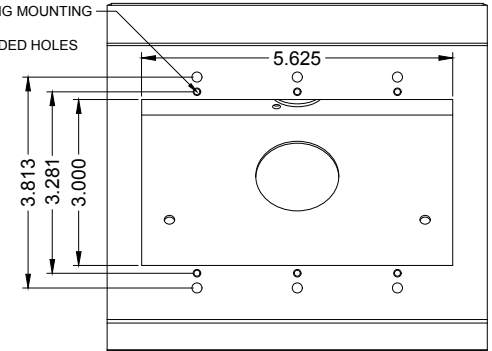


⑤ BOTTOM VIEW

FRONT OF BOX

Auxiliary A - A

STANDARD 3-GANG MOUNTING
HOLE PATTERN
WITH 6-32 THREADED HOLES



REVISION: 11/2019

FINISH CHOICES:

- Textured Black Powder Coat

CAPACITY:

(1) 3-gang device or panel.

DESCRIPTION:

Table Top Control Panel Mount for portable or permanent table/wall placement. Parts are 18/16ga CRS.

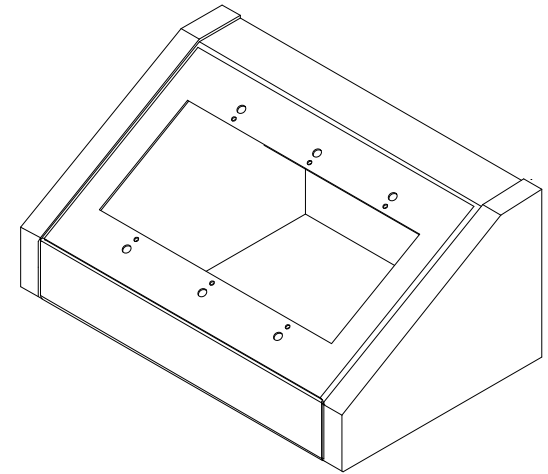
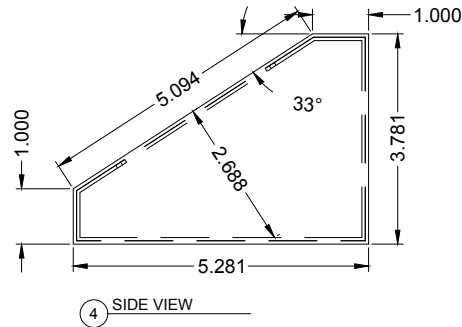
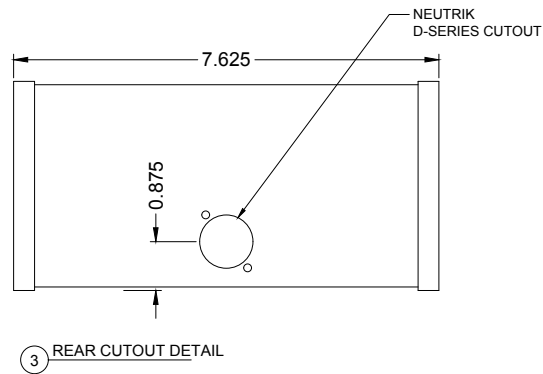
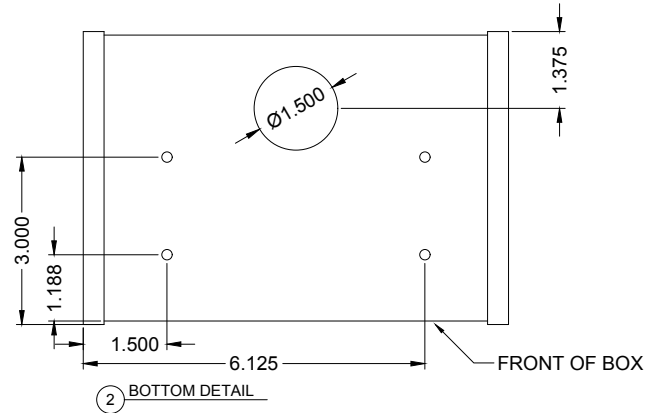
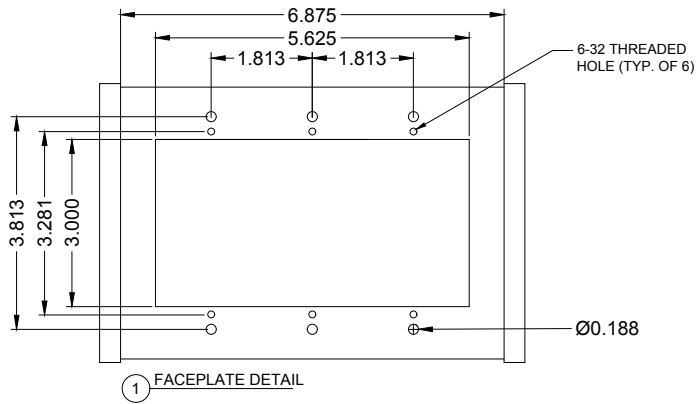
REV
1
SHEET
1 OF 1

CONTROL PANEL MOUNT

147G3WH



PROUDLY MADE IN THE U.S.A.



REVISION: 11/2019

BEZEL/LID FINISH CHOICES:

CAPACITY:

DESCRIPTION:

REV 1

ALL DIMENSIONS ARE FOR REFERENCE ONLY. ALL DIMENSIONS ARE IN INCHES

- Semi Gloss Bright White Powder Coat

(1) 3-gang device or panel

Table Top Control Panel Mount for portable or permanent table/wall placement. Parts are 18/16ga CRS.

SHEET 1 OF 1