

MODEL NO.

WP-600

SERIES

WP-600 SERIES

TYPE

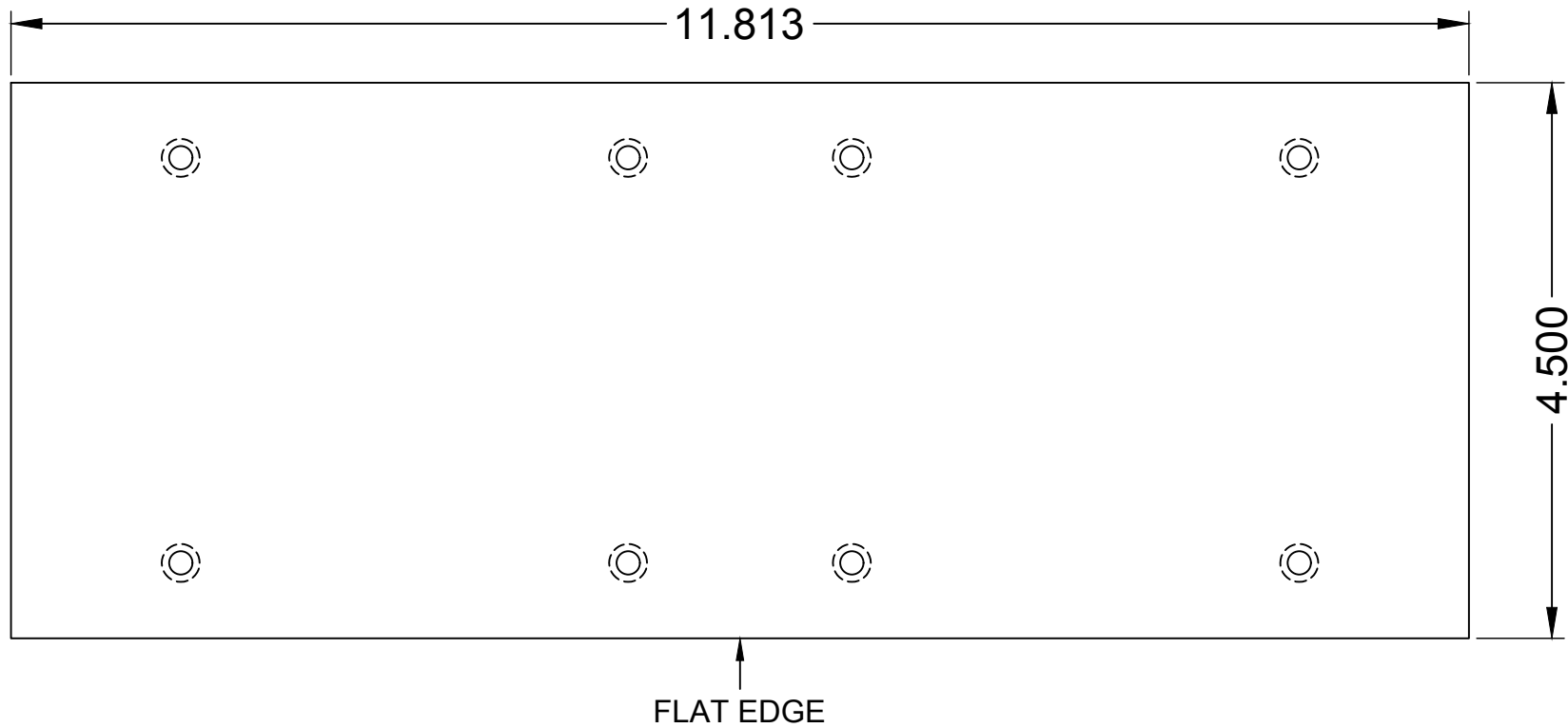
6-GANG WALL PANEL



PROUDLY MADE IN THE U.S.A.

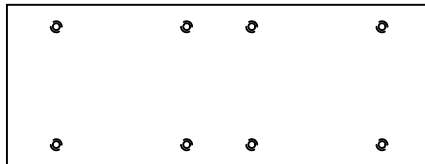


ACE BACKSTAGE CO  
Stage Pocket Systems Connectivity  
www.acebackstage.com

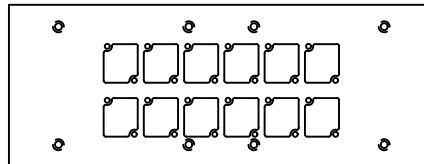


WP-600 SERIES PANELS

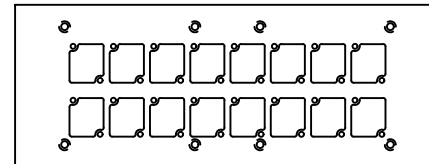
WP-600  
OR  
WP-610



WP-6012  
OR  
WP-6112



WP-6016  
OR  
WP-6116



REVISED: 01/2021	MATERIAL:	FINISH:	DESCRIPTION:	REV 1
ALL DIMENSIONS ARE FOR REFERENCE ONLY. ALL DIMENSIONS ARE IN INCHES	1/16" 6061-T6 ALUMINUM	BLACK POWDER COAT, SEMI GLOSS	SIX-GANG WALL PANEL, BLANK.	SHEET 1 OF 1

MODEL NO.

WP-610

SERIES

WP-600 SERIES

TYPE

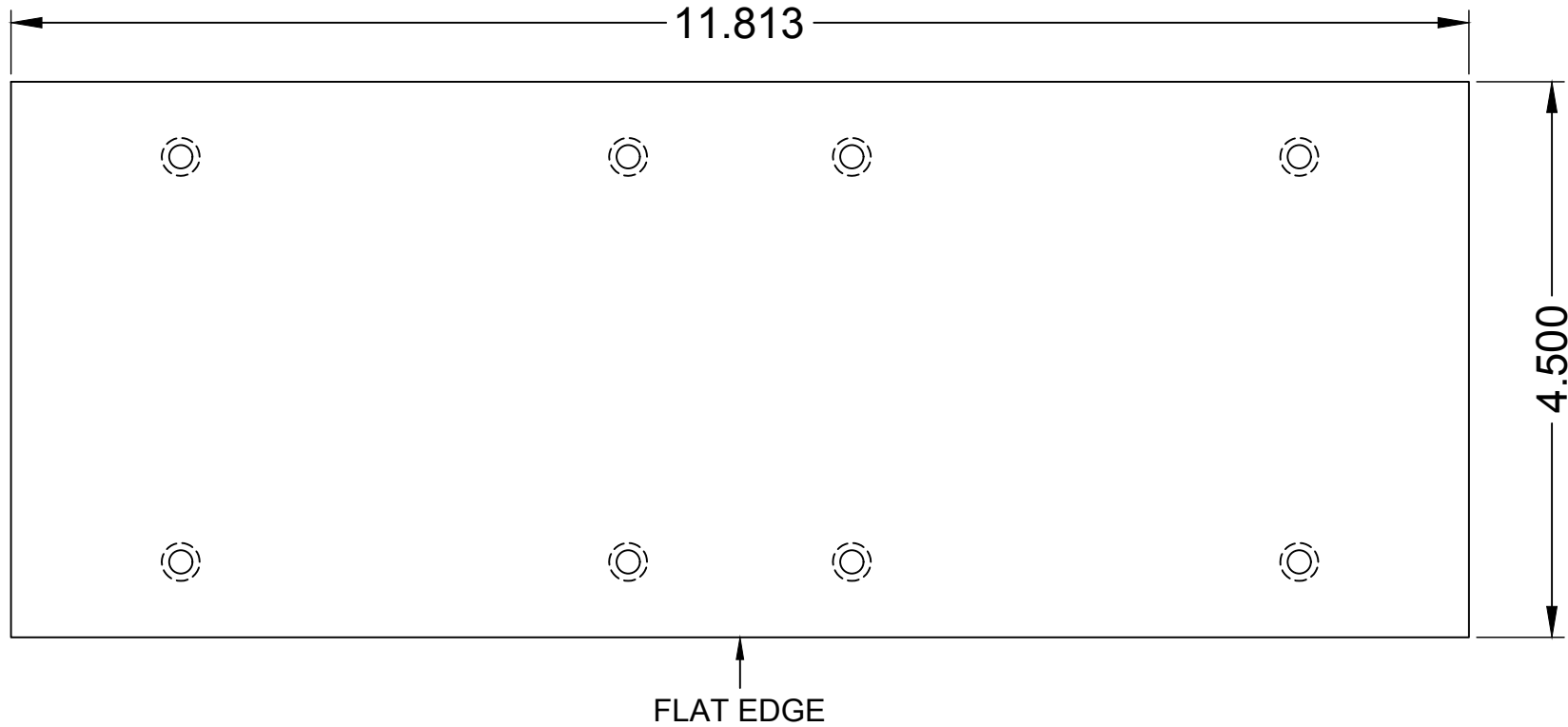
6-GANG WALL PANEL



PROUDLY MADE IN THE U.S.A.

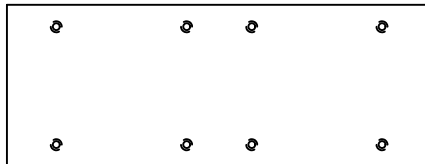


ACE BACKSTAGE CO  
Stage Pocket Systems Connectivity  
www.acebackstage.com

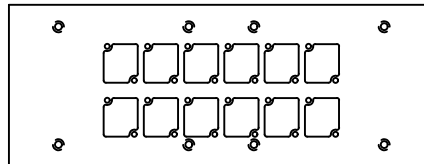


WP-600 SERIES PANELS

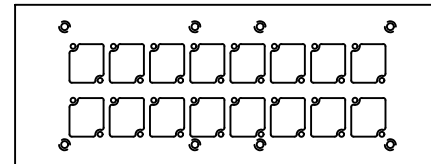
WP-600  
OR  
WP-610



WP-6012  
OR  
WP-6112



WP-6016  
OR  
WP-6116



REVISED: 01/2021	MATERIAL:	FINISH:	DESCRIPTION:	REV 1
ALL DIMENSIONS ARE FOR REFERENCE ONLY. ALL DIMENSIONS ARE IN INCHES	1/16" 6061-T6 ALUMINUM	WHITE POWDER COAT, GLOSS	SIX-GANG WALL PANEL, BLANK.	SHEET 1 OF 1

MODEL NO.

WP-6012

SERIES

WP-600 SERIES

TYPE

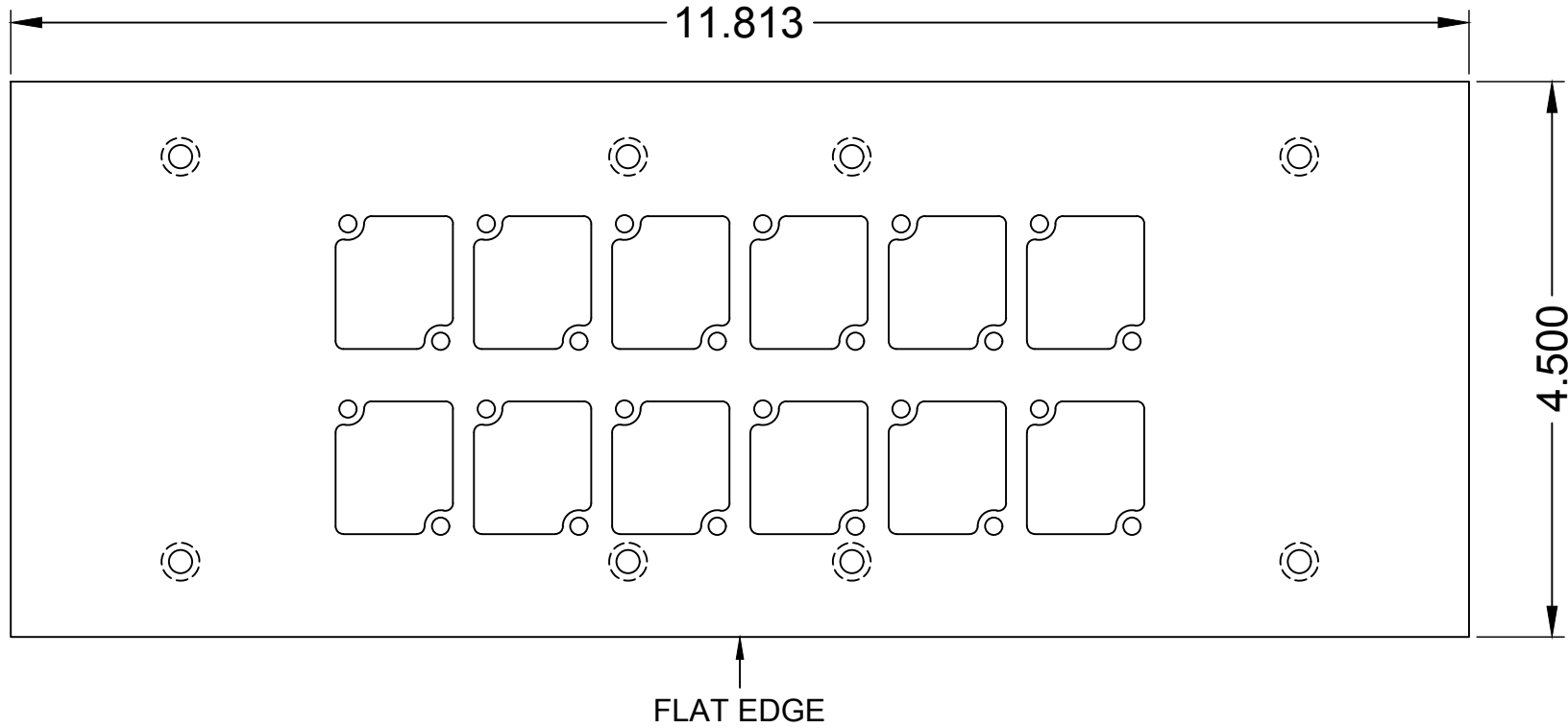
6-GANG WALL PANEL



PROUDLY MADE IN THE U.S.A.

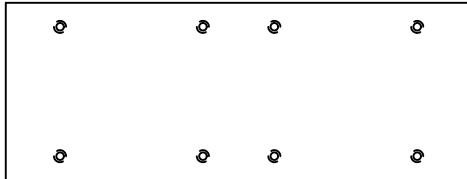


ACE BACKSTAGE CO  
Stage Pocket Systems Connectivity  
www.acebackstage.com

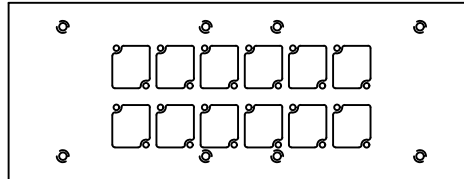


WP-600 SERIES PANELS

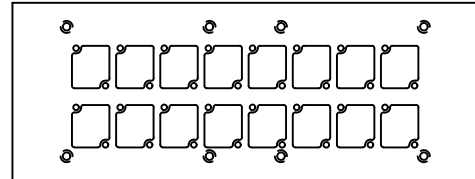
WP-600  
OR  
WP-610



WP-6012  
OR  
WP-6112



WP-6016  
OR  
WP-6116



REVISED: 01/2021

MATERIAL:

1/16" 6061-T6 ALUMINUM

FINISH:

BLACK POWDER COAT, SEMI GLOSS

DESCRIPTION:

SIX-GANG WALL PANEL WITH (12) CONNECTRIX CUTOUTS.

REV

1

SHEET

1 OF 1

MODEL NO.

WP-6112

SERIES

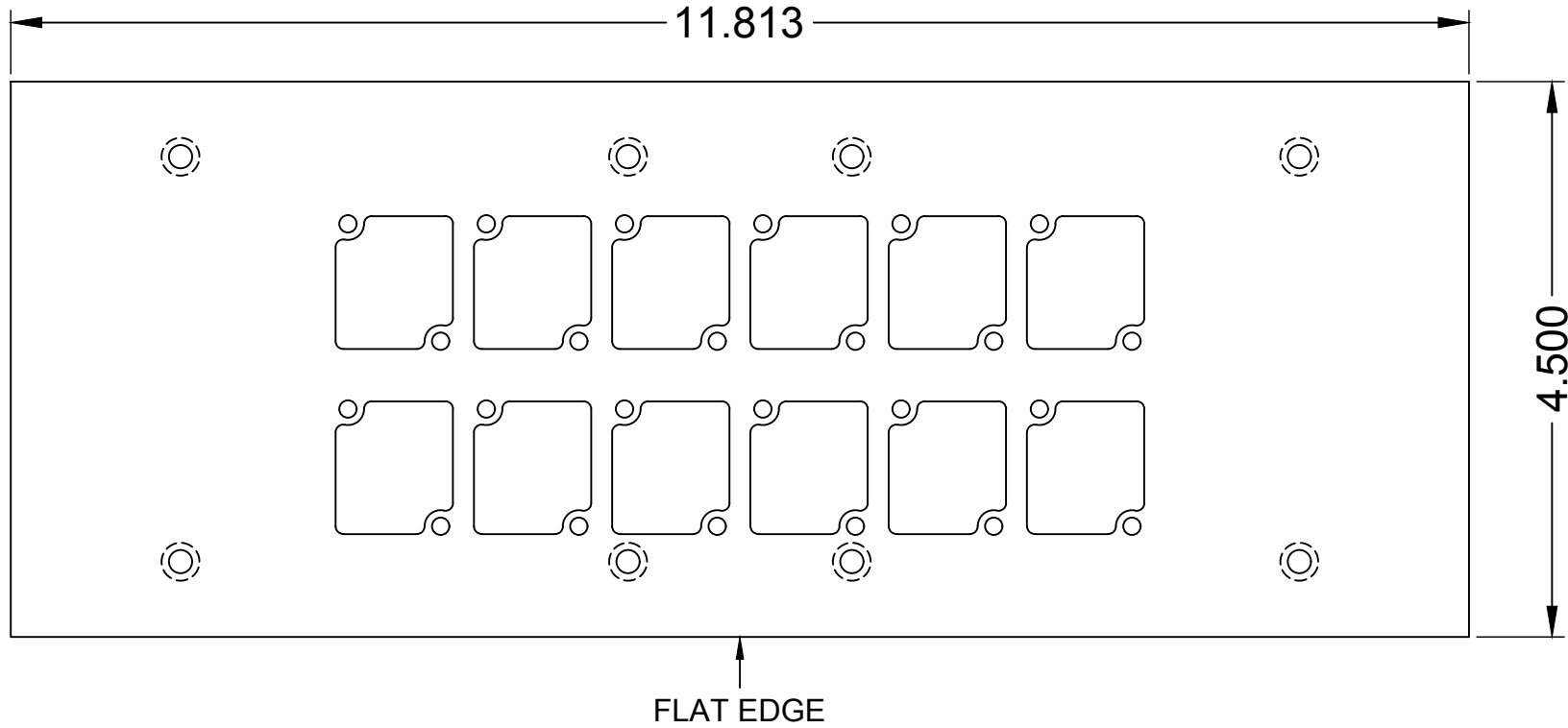
WP-600 SERIES

TYPE

6-GANG WALL PANEL

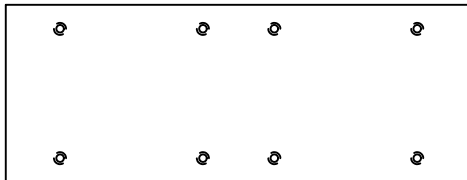


PROUDLY MADE IN THE U.S.A.

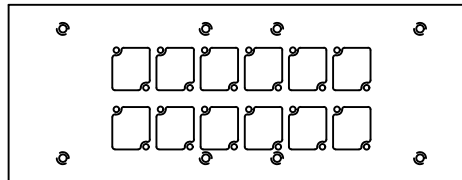


WP-600 SERIES PANELS

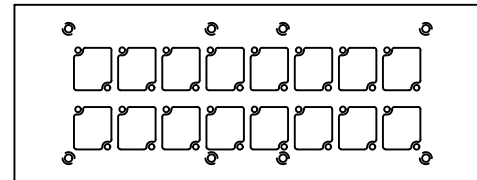
WP-600  
OR  
WP-610



WP-6012  
OR  
WP-6112



WP-6016  
OR  
WP-6116



REVISED: 01/2021

MATERIAL:

1/16" 6061-T6 ALUMINUM

FINISH:

WHITE POWDER COAT, GLOSS

DESCRIPTION:

SIX-GANG WALL PANEL WITH (12) CONNECTRIX CUTOUTS.

REV

1

SHEET

1 OF 1

MODEL NO.

WP-6016

SERIES

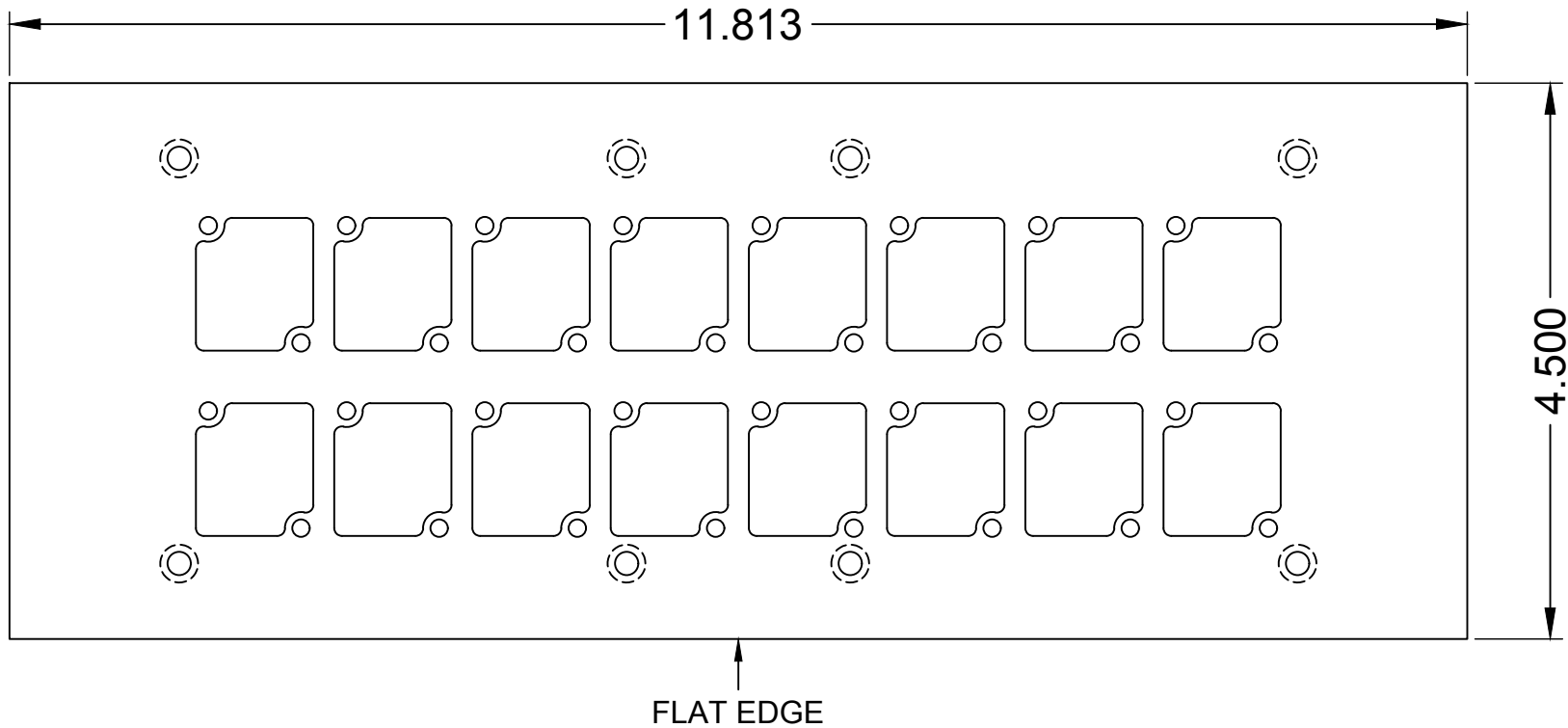
WP-600 SERIES

TYPE

6-GANG WALL PANEL

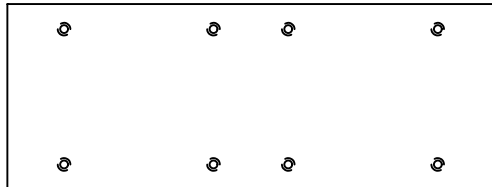


PROUDLY MADE IN THE U.S.A.

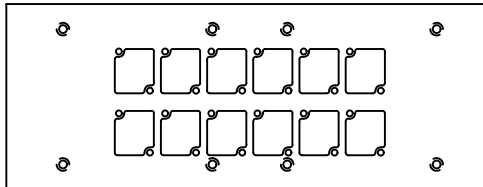


WP-600 SERIES PANELS

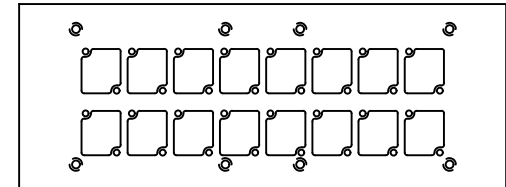
WP-600  
OR  
WP-610



WP-6012  
OR  
WP-6112



WP-6016  
OR  
WP-6116



REVISED: 01/2021

MATERIAL:

1/16" 6061-T6 ALUMINUM

FINISH:

BLACK POWDER COAT, SEMI GLOSS

DESCRIPTION:

SIX-GANG WALL PANEL WITH (16) CONNECTRIX CUTOUTS.

REV

1

SHEET

1 OF 1

MODEL NO.

WP-6116

SERIES

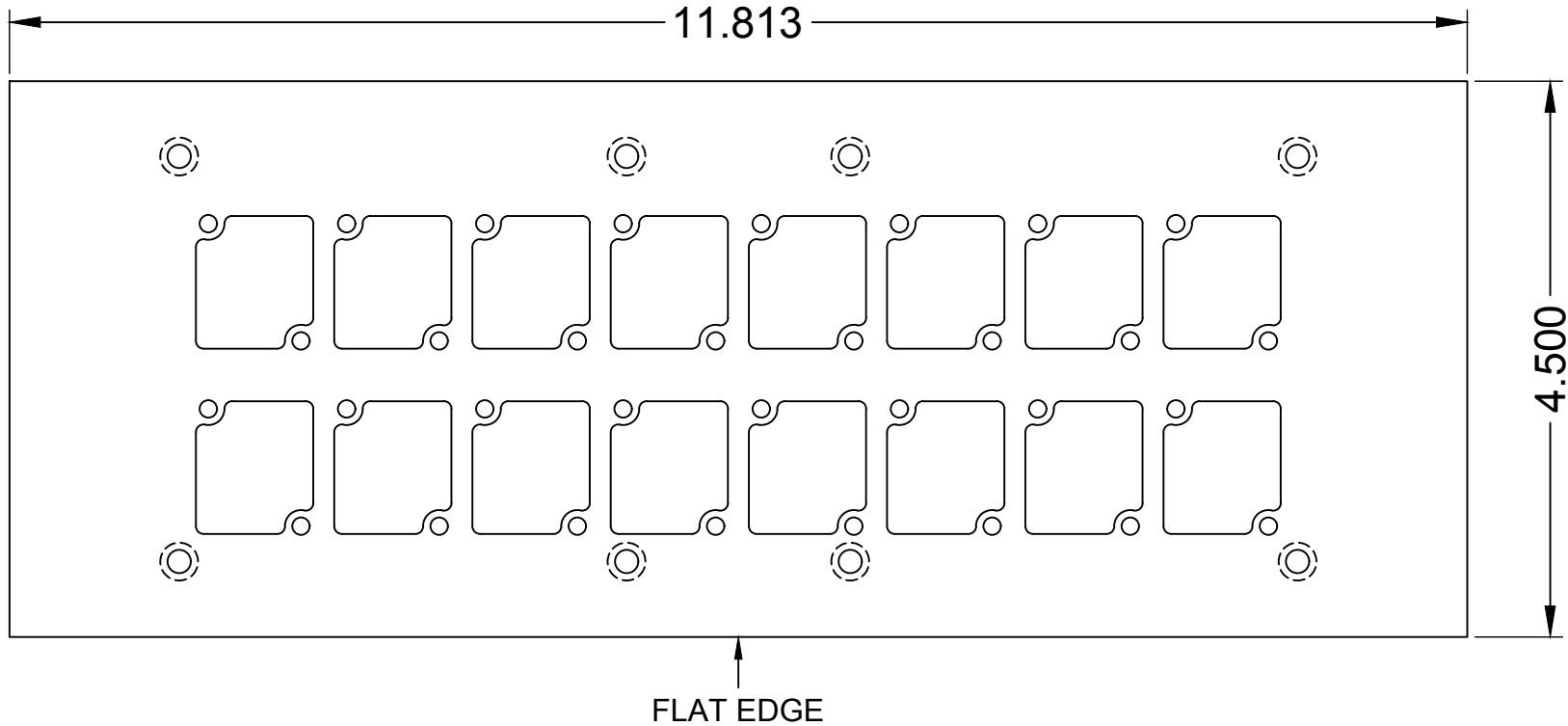
WP-600 SERIES

TYPE

6-GANG WALL PANEL

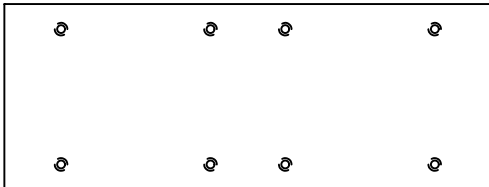


PROUDLY MADE IN THE U.S.A.

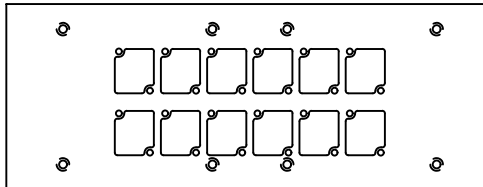


WP-600 SERIES PANELS

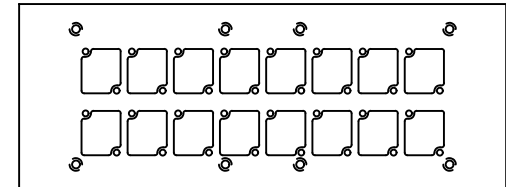
WP-600  
OR  
WP-610



WP-6012  
OR  
WP-6112



WP-6016  
OR  
WP-6116



REVISED: 01/2021

MATERIAL:

1/16" 6061-T6 ALUMINUM

FINISH:

WHITE POWDER COAT, GLOSS

DESCRIPTION:

SIX-GANG WALL PANEL WITH (16) CONNECTRIX CUTOUTS.

REV  
1  
SHEET  
1 OF 1