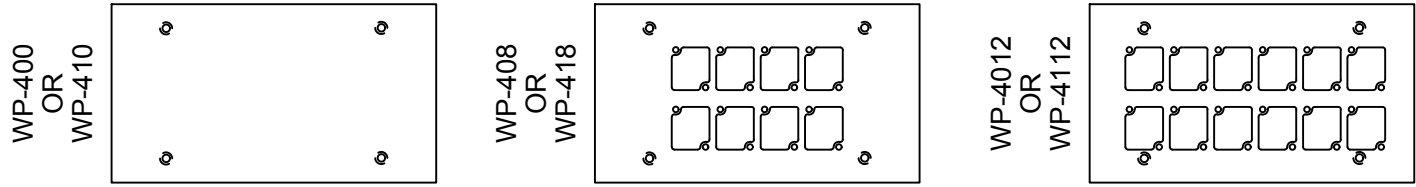


MODEL NO.	WP-400	SERIES	WP-400 SERIES	TYPE	4-GANG WALL PANEL	 PROUDLY MADE IN THE U.S.A.	 ACE BACKSTAGE CO Stage Pocket Systems <i>Connectivity</i> www.acebackstage.com
-----------	---------------	--------	----------------------	------	--------------------------	---	--

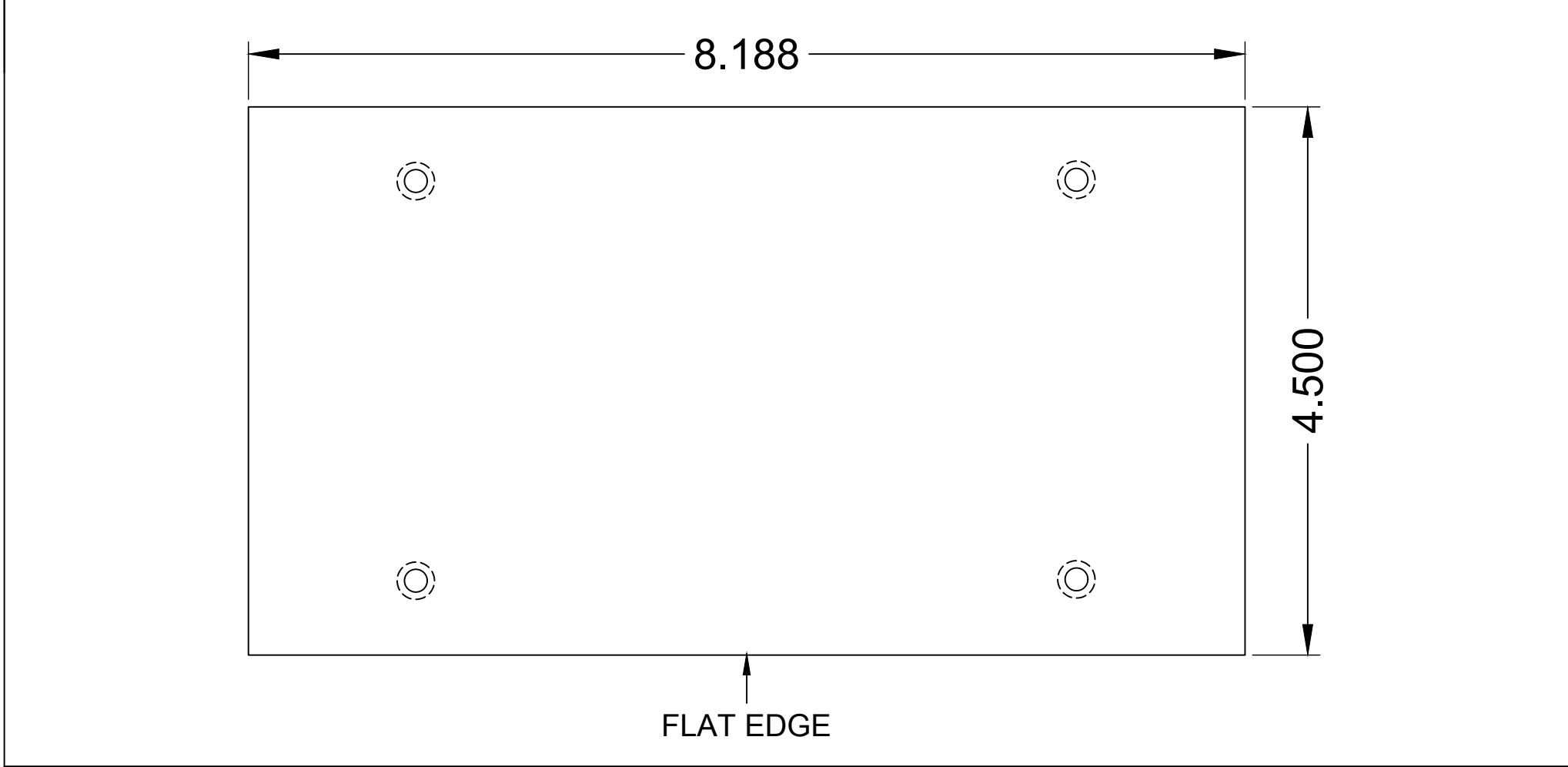


WP-400 SERIES PANELS

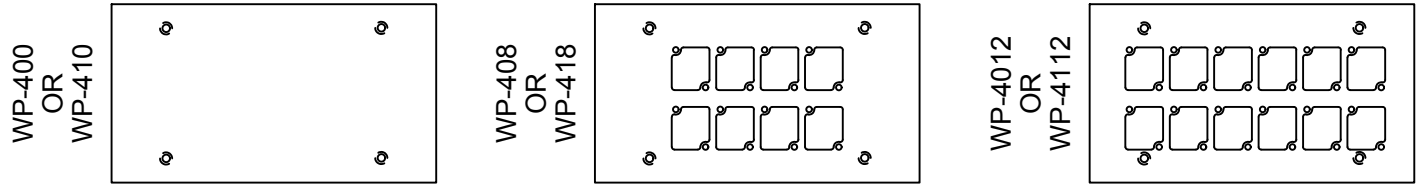


REVISED: 01/2021	MATERIAL:	FINISH:	DESCRIPTION:	REV 1
ALL DIMENSIONS ARE FOR REFERENCE ONLY. ALL DIMENSIONS ARE IN INCHES	1/16" 6061-T6 ALUMINUM	BLACK POWDER COAT, SEMI GLOSS	FOUR GANG WALL PANEL, BLANK.	SHEET 1 OF 1

MODEL NO.	WP-410	SERIES	WP-400 SERIES	TYPE	4-GANG WALL PANEL	 PROUDLY MADE IN THE U.S.A.	 Stage Front Systems Connectivity www.acebackstage.com
-----------	---------------	--------	----------------------	------	--------------------------	---	---



WP-400 SERIES PANELS



REVISED: 01/2021	MATERIAL:	FINISH:	DESCRIPTION:	REV 1
ALL DIMENSIONS ARE FOR REFERENCE ONLY. ALL DIMENSIONS ARE IN INCHES	1/16" 6061-T6 ALUMINUM	WHITE POWDER COAT, GLOSS	FOUR GANG WALL PANEL, BLANK.	SHEET 1 OF 1

MODEL NO.

WP-408

SERIES

WP-400 SERIES

TYPE

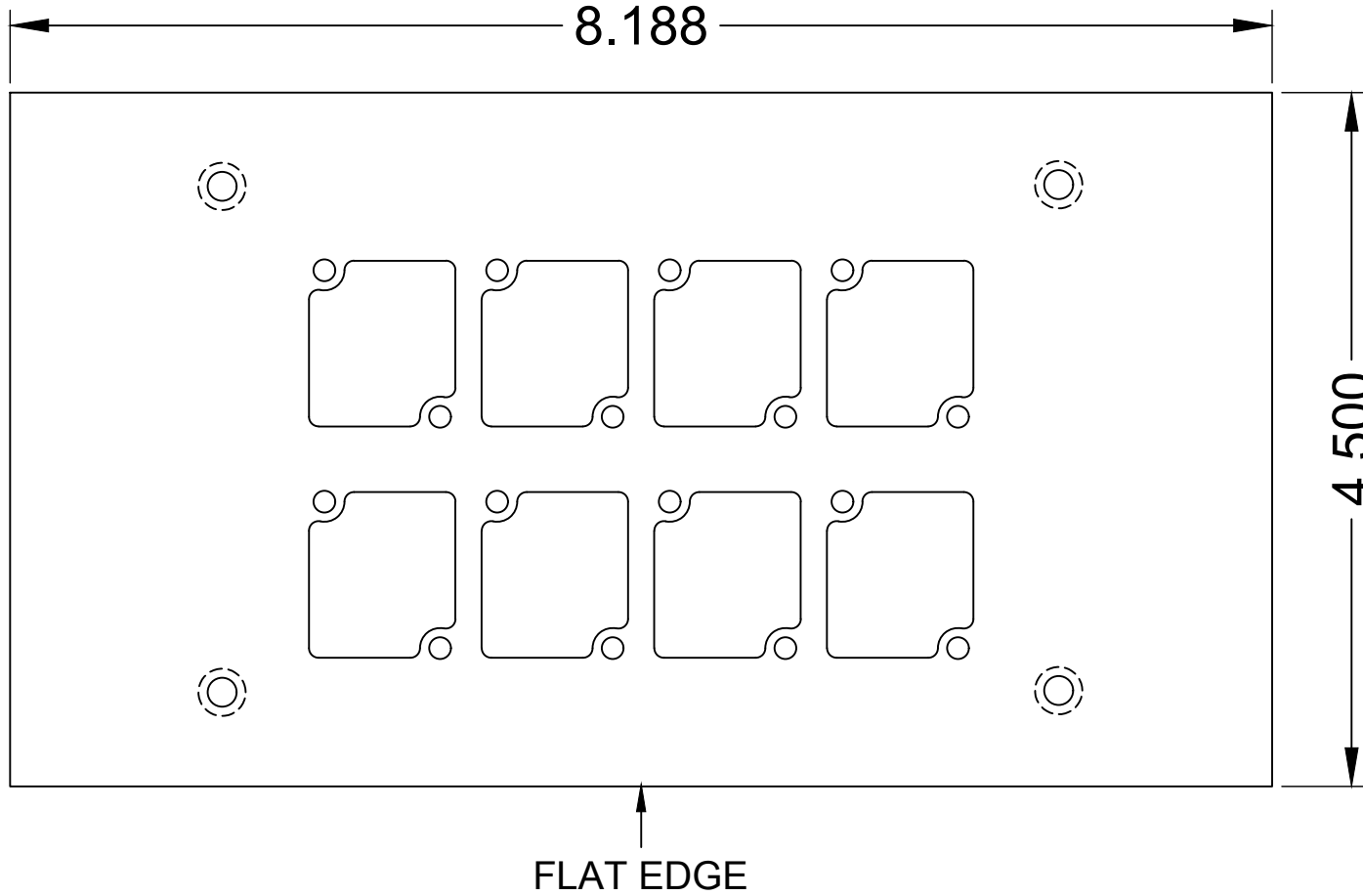
4-GANG WALL PANEL



PROUDLY MADE IN THE U.S.A.



ACE BACKSTAGE CO
Stage Pocket Systems Connectivity
www.acebackstage.com

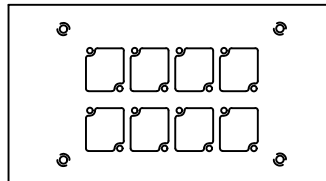


WP-400 SERIES PANELS

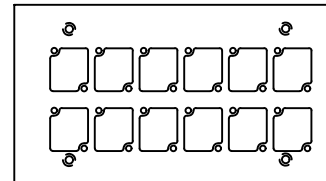
WP-400
OR
WP-410



WP-408
OR
WP-418



WP-4012
OR
WP-4112



REVISED: 01/2021

MATERIAL:

1/16" 6061-T6 ALUMINUM

FINISH:

BLACK POWDER COAT, SEMI GLOSS

DESCRIPTION:

FOUR-GANG WALL PANEL WITH (8) CONNECTRIX CUTOUTS.

REV
1
SHEET
1 OF 1

MODEL NO.

WP-418

SERIES

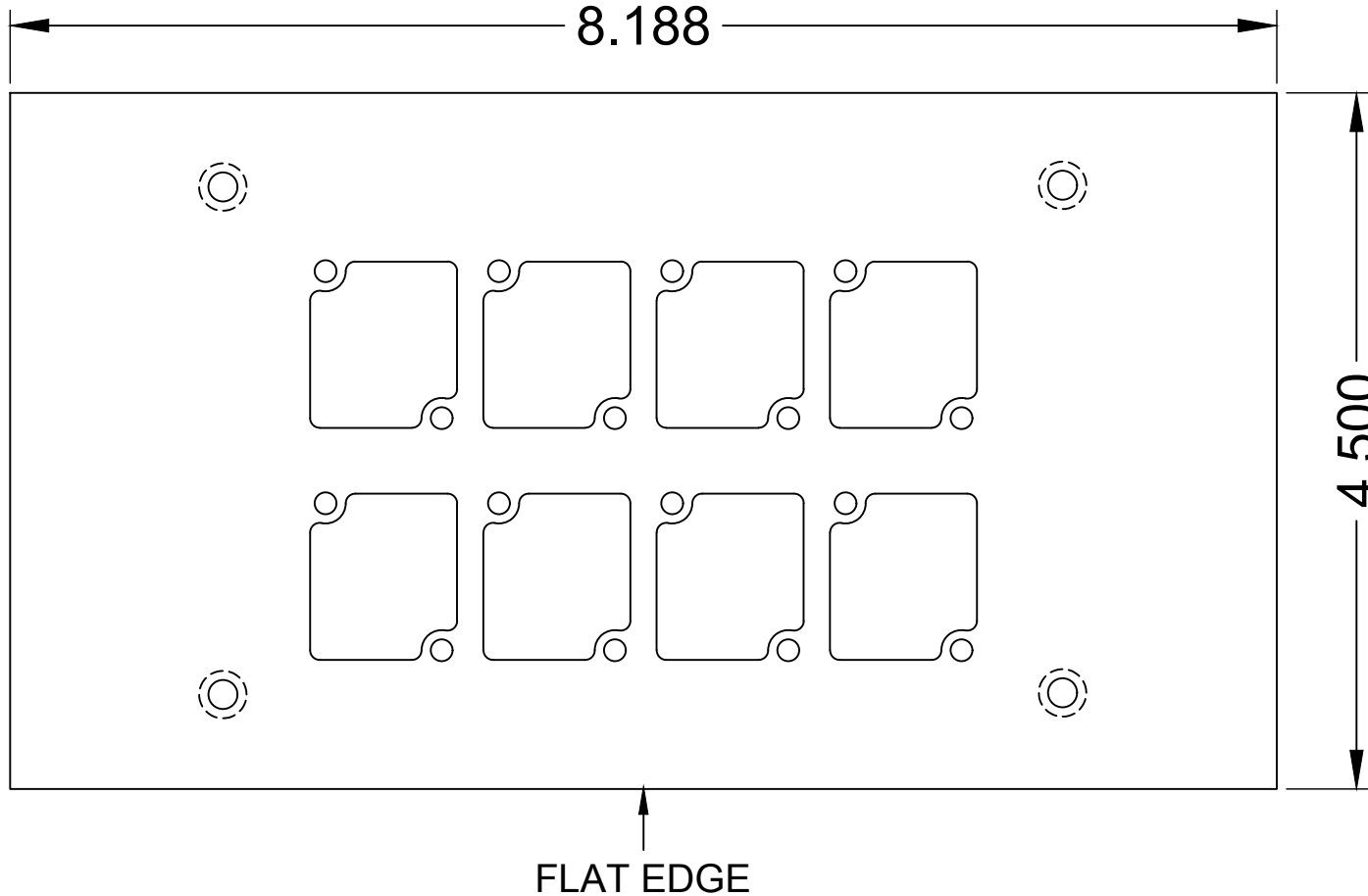
WP-400 SERIES

TYPE

4-GANG WALL PANEL

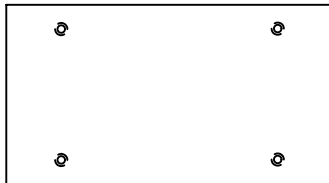


PROUDLY MADE IN THE U.S.A.

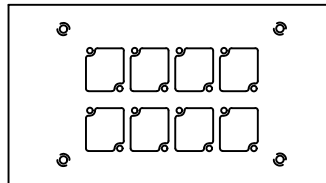


WP-400 SERIES PANELS

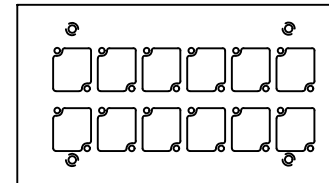
WP-400
OR
WP-410



WP-408
OR
WP-418



WP-4012
OR
WP-4112



REVISED: 01/2021

MATERIAL:

1/16" 6061-T6 ALUMINUM

FINISH:

WHITE POWDER COAT, GLOSS

DESCRIPTION:

FOUR-GANG WALL PANEL WITH (8) CONNECTRIX CUTOUTS.

REV 1
SHEET 1 OF 1

MODEL NO.

WP-4012

SERIES

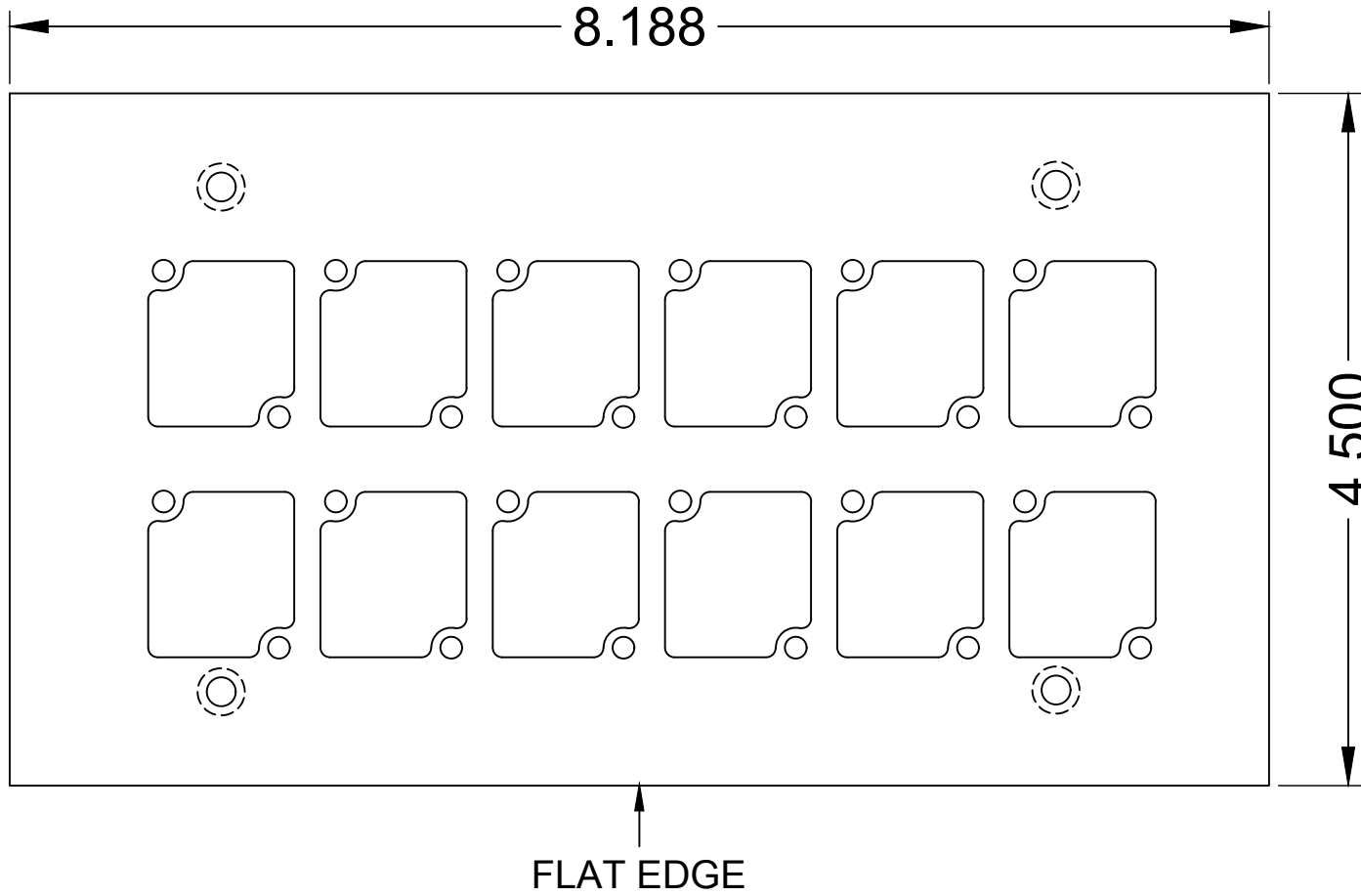
WP-400 SERIES

TYPE

4-GANG WALL PANEL



PROUDLY MADE IN THE U.S.A.

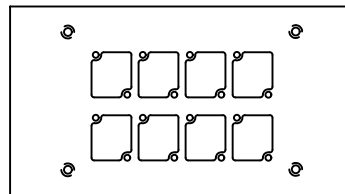


WP-400 SERIES PANELS

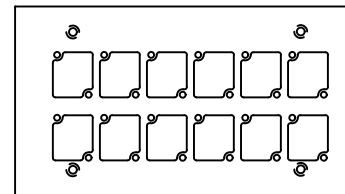
WP-400
OR
WP-410



WP-408
OR
WP-418



WP-4012
OR
WP-4112



REVISED: 01/2021

MATERIAL:

1/16" 6061-T6 ALUMINUM

FINISH:

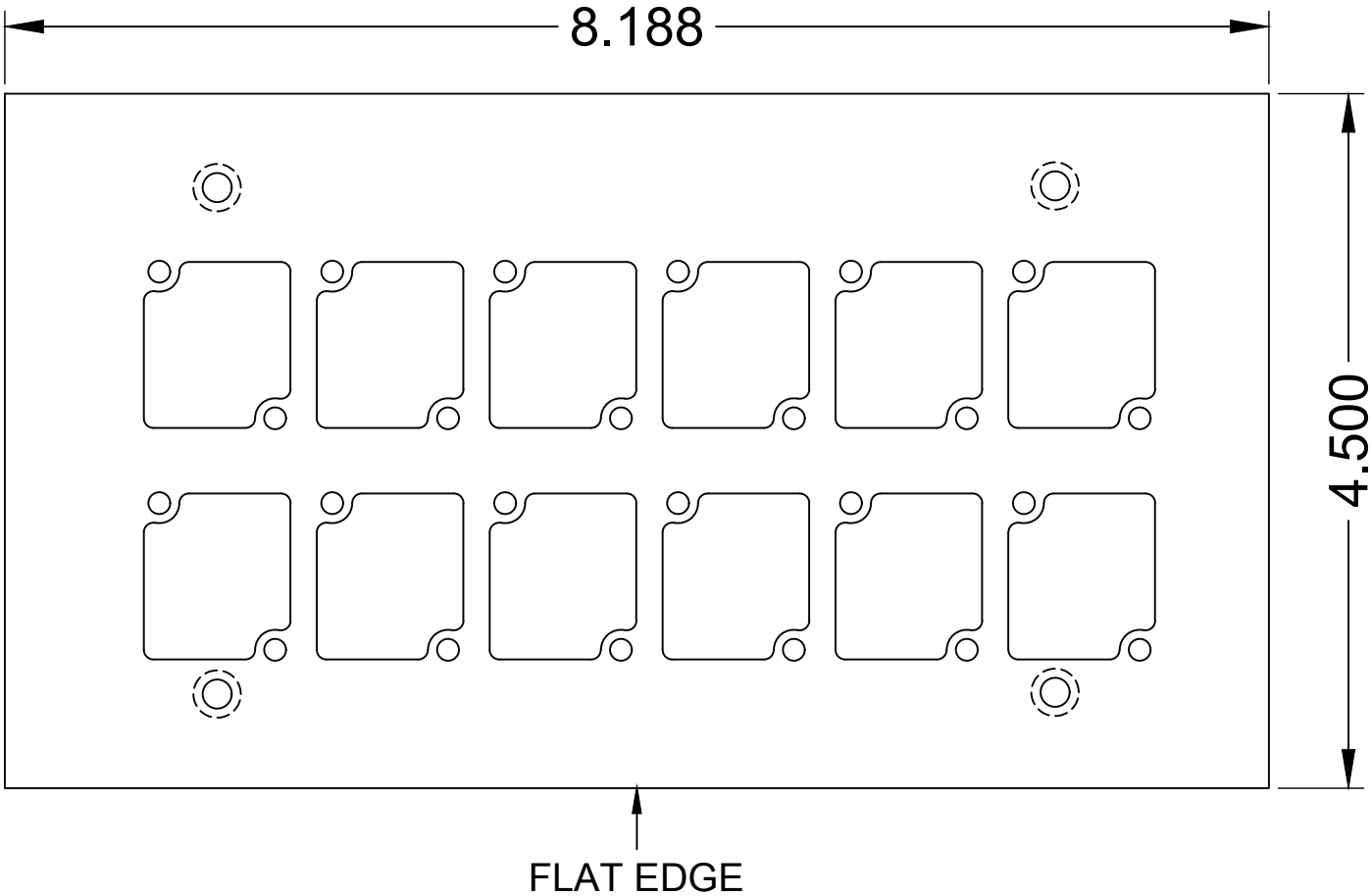
BLACK POWDER COAT, SEMI GLOSS

DESCRIPTION:

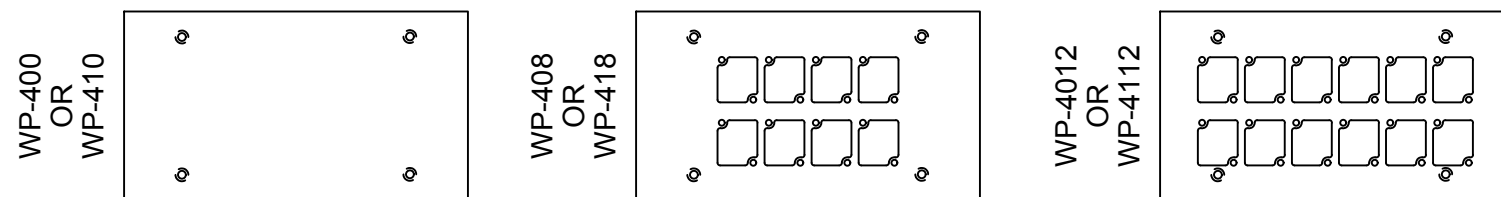
FOUR-GANG WALL PANEL WITH (12) CONNECTRIX CUTOUTS.

REV 1
SHEET 1 OF 1

MODEL NO.	WP-4112	SERIES	WP-400 SERIES	TYPE	4-GANG WALL PANEL	 PROUDLY MADE IN THE U.S.A.	 ACE BACKSTAGE CO Stage Front Systems <i>Connectivity</i> www.acebackstage.com
-----------	----------------	--------	----------------------	------	--------------------------	---	---



WP-400 SERIES PANELS



REVISED: 01/2021	MATERIAL:	FINISH:	DESCRIPTION:	REV 1
ALL DIMENSIONS ARE FOR REFERENCE ONLY. ALL DIMENSIONS ARE IN INCHES	1/16" 6061-T6 ALUMINUM	WHITE POWDER COAT, GLOSS	FOUR-GANG WALL PANEL WITH (12) CONNECTRIX CUTOUTS.	SHEET 1 OF 1