

DOUBLE WIDE SIZE BACK BOX  
WITH SUPER POCKET BRACKETS

BRK104BBX



MATES WITH  
HORIZONTAL  
STYLE POCKET



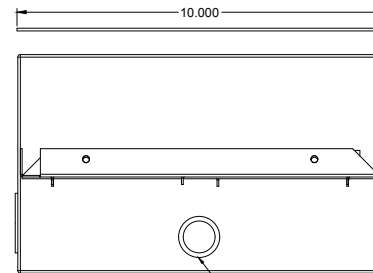
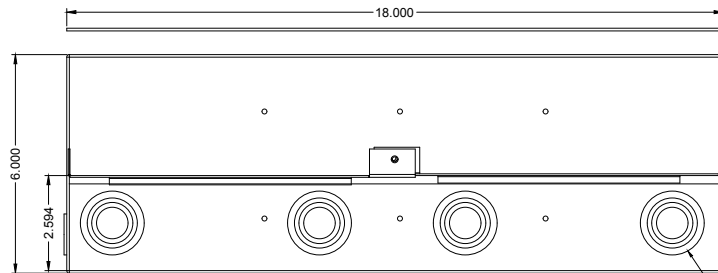
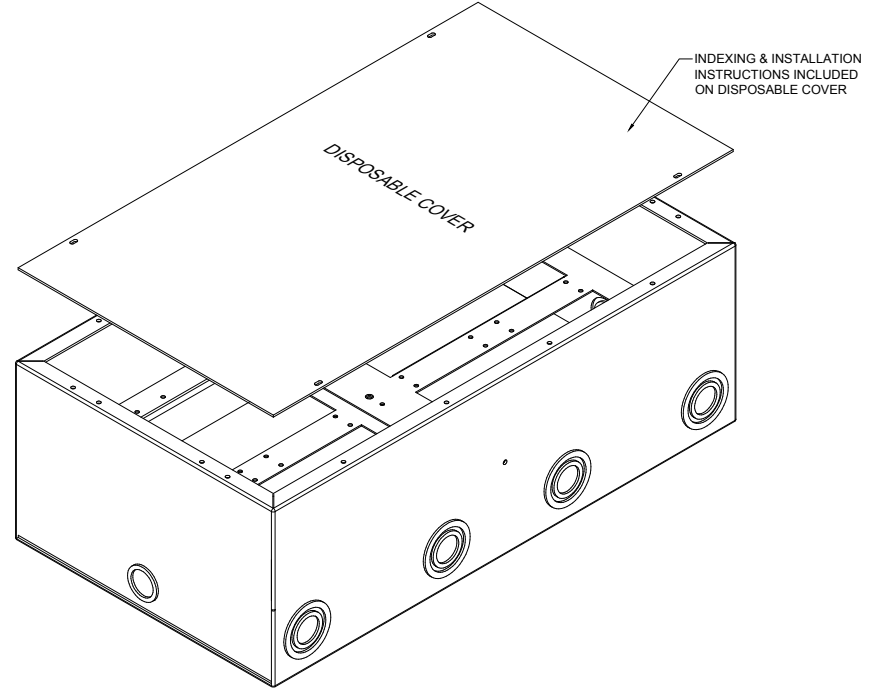
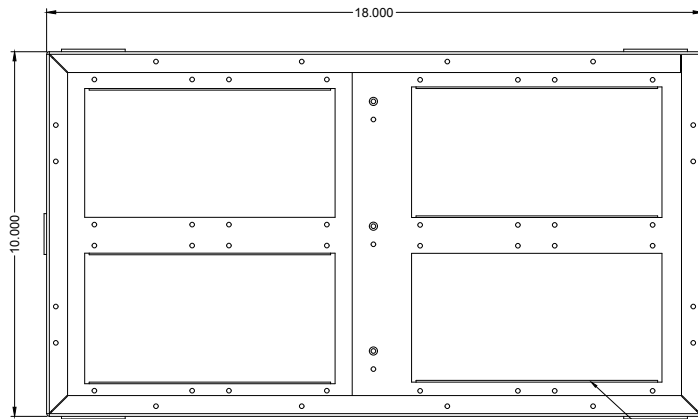
As part of the Super Double Wide Pocket System



PROUDLY MADE  
IN THE U.S.A.



**ACE BACKSTAGE CO**  
Stage Pocket Systems **Connectivity**  
www.acebackstage.com



REVISION: 11/2019

FINISH :

- Electro Deposited Clear Zinc  
ASTM Certified

COMPATIBLE BEZELS/LIDS:

Any Double Wide Size Bezel/Lid:  
BZ134/BZ234/BZ334

DESCRIPTION:

Rough in Box with Super Double Wide Pocket Brackets. For use when installing Super Double Wide Pockets. Made from 14ga CRS.

REV  
1  
SHEET  
1 OF 1

DOUBLE WIDE SIZE BACK BOX  
WITH SUPER POCKET BRACKETS

BRK104BBXW



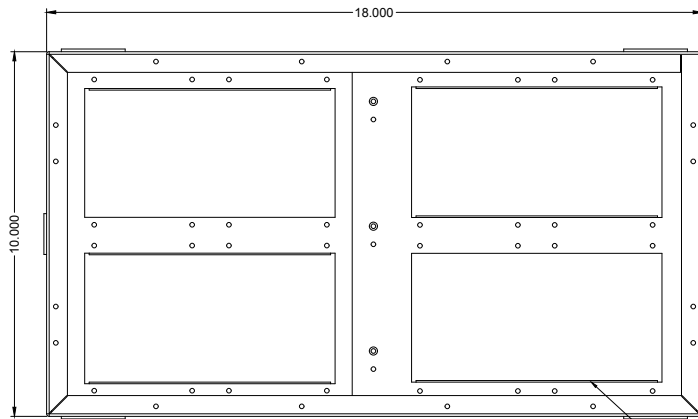
MATES WITH  
HORIZONTAL  
STYLE POCKET



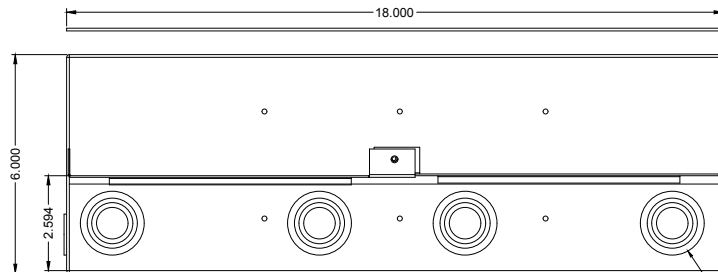
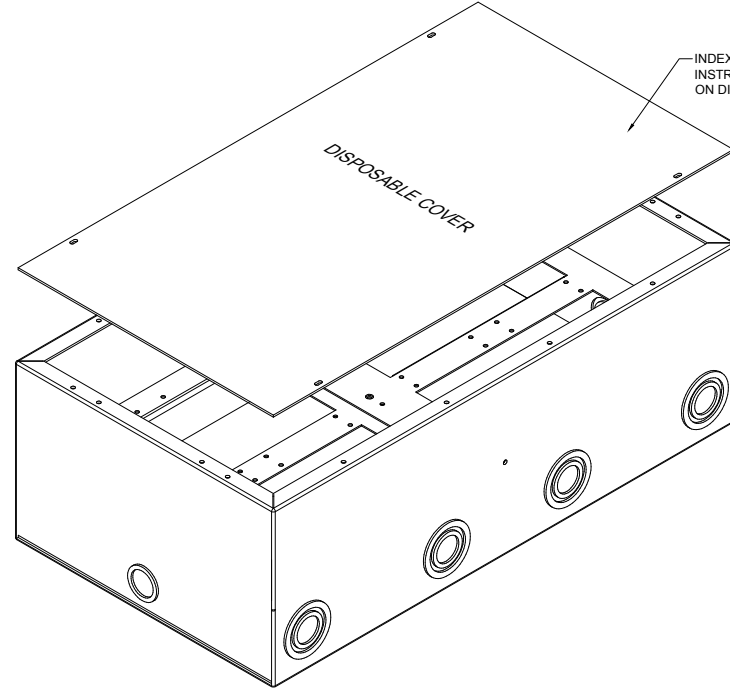
PROUDLY MADE  
IN THE U.S.A.



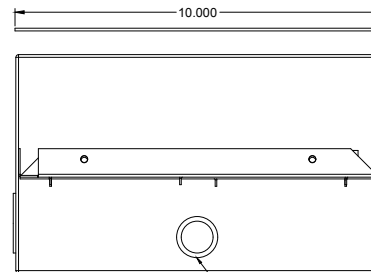
**ACE BACKSTAGE CO**  
Stage Pocket Systems **Connectivity**  
www.acebackstage.com



SUPER DOUBLE WIDE POCKET BRACKET KIT (BRK104)  
16ga GALVANNEALED STEEL



1/2", 3/4", 1", AND 1-1/4" COMBINATION  
KNOCKOUTS (4) PLACES TYPICAL ON  
OPPOSING SIDES



1/2" AND 3/4" COMBINATION  
KNOCKOUTS (1) PLACE TYPICAL ON  
ONE SIDE ONLY

REVISION: 11/2019

FINISH :

- ASTM Certified Electro Deposited Clear Zinc  
- 1/16" Thick Polyurethane Jacket for  
moisture seal

COMPATIBLE BEZELS/LIDS:

Any Double Wide Size Bezel/Lid:  
BZ134/BZ234/BZ334

DESCRIPTION:

Polyurethane encapsulated Rough in Box with Super Double Wide Pocket  
Brackets. For use when installing Super Double Wide Pockets. Provides extra  
protection from incursion of moisture and water by sealing seams, knock-outs,  
and holes. Made from 14ga CRS.

REV  
1  
SHEET  
1 OF 1

DOUBLE WIDE SIZE BACK BOX  
WITH SUPER DOUBLE WIDE  
POCKET BRACKETS

BRK1048BBX

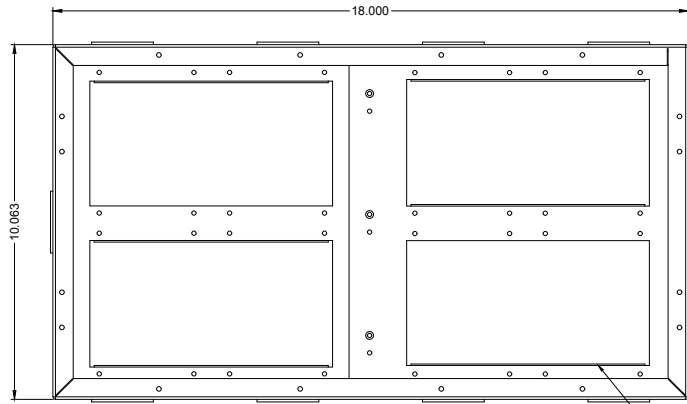
MATES WITH  
HORIZONTAL  
STYLE POCKET



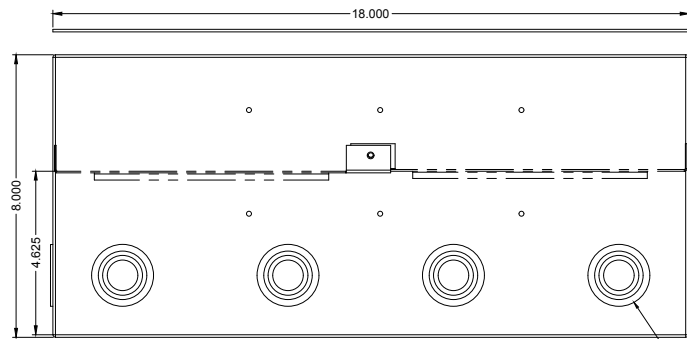
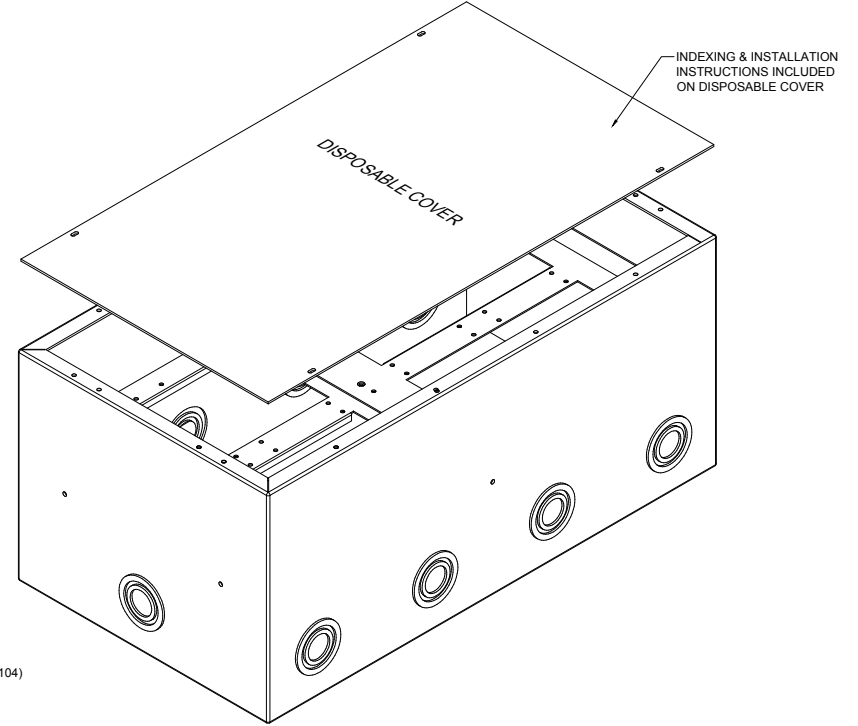
As part of the Super Double Wide Pocket System

PROUDLY MADE  
IN THE U.S.A.

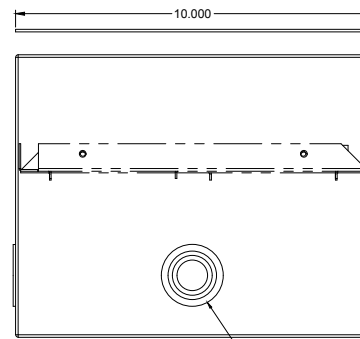
**ACE BACKSTAGE CO**  
Stage Pocket Systems **Connectivity**  
www.acebackstage.com



SUPER DOUBLE WIDE POCKET BRACKET KIT (BRK104)  
16ga GALVANNEALED STEEL



1/2", 3/4", 1", AND 1-1/4" COMBINATION  
KNOCKOUTS (4) PLACES TYPICAL ON  
OPPOSING SIDES



1/2", 3/4", 1", AND 1-1/4" COMBINATION  
KNOCKOUTS (1) PLACE TYPICAL ON  
OPPOSING SIDES

REVISION: 11/2019

FINISH :

- Electro Deposited Clear Zinc  
ASTM Certified

COMPATIBLE BEZELS/LIDS:

Any Double Wide Size Bezel/Lid:  
BZ134/BZ234/BZ334

DESCRIPTION:

Rough in Box with Super Double Wide Pocket Brackets. For use when installing Super Double Wide Pockets. Extra depth provides addition space behind and in front of panels. Made from 14ga CRS.

REV  
1  
SHEET  
1 OF 1

DOUBLE WIDE SIZE BACK BOX  
WITH SUPER POCKET BRACKETS

**BRK1048BBXW**



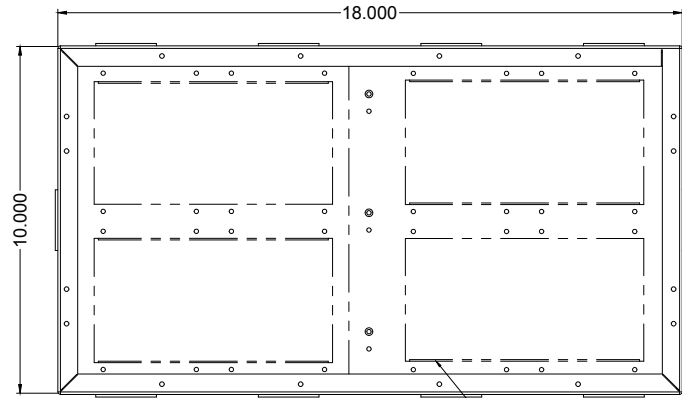
MATES WITH  
HORIZONTAL  
STYLE POCKET



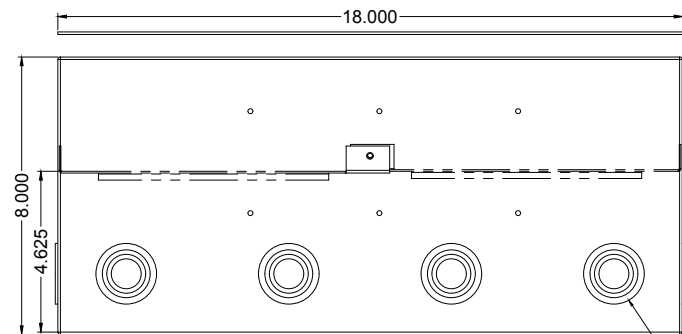
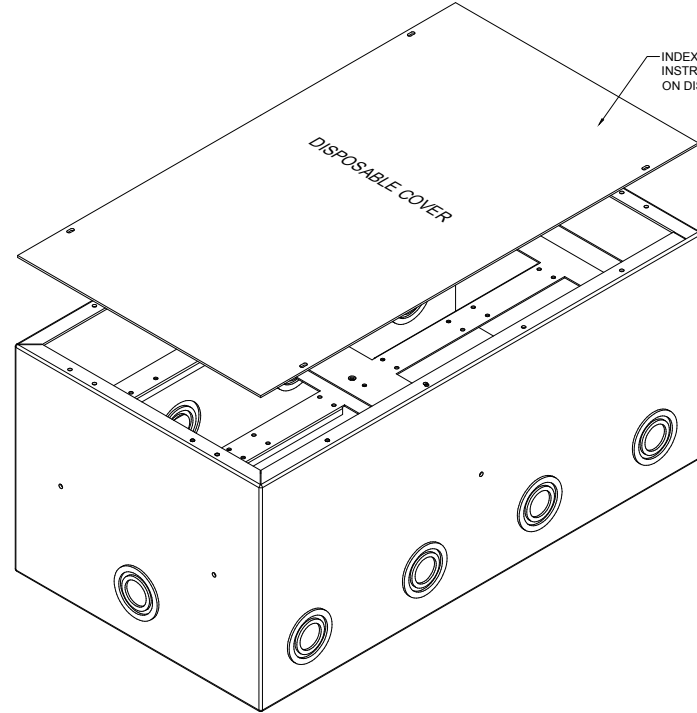
PROUDLY MADE  
IN THE U.S.A.



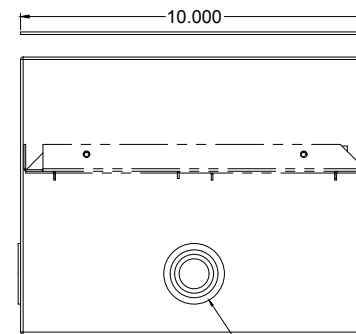
**ACE BACKSTAGE CO**  
Stage Pocket Systems **Connectivity**  
www.acebackstage.com



SUPER DOUBLE WIDE POCKET BRACKET KIT (BRK104)  
16ga GALVANNEALED STEEL



1/2", 3/4", 1", AND 1-1/4" COMBINATION  
KNOCKOUTS (4) PLACES TYPICAL ON  
OPPOSING SIDES



1/2", 3/4", 1", AND 1-1/4" COMBINATION  
KNOCKOUTS (1) PLACE TYPICAL ON  
OPPOSING SIDES

REVISION: 11/2019

FINISH :

- ASTM Certified Electro Deposited Clear Zinc
- 1/16" Thick Polyurethane Jacket for moisture seal

COMPATIBLE POCKETS:

Any Double Wide Size Bezel/Lid:  
BZ134/BZ234/BZ334

DESCRIPTION:

Polyurethane encapsulated Rough in Box with Super Double Wide Pocket Brackets. For use when installing Super Double Wide Pockets. Provides extra protection from incursion of moisture and water by sealing seams, knock-outs, and holes. Extra depth provides addition space behind and in front of panels. Made from 14ga CRS.

REV  
1

SHEET

ALL DIMENSIONS ARE FOR REFERENCE  
ONLY. ALL DIMENSIONS ARE IN INCHES