

FULL SIZE BACK BOX
WITH SUPER POCKET BRACKETS

BRK102BBX



MATES WITH
HORIZONTAL
STYLE POCKET



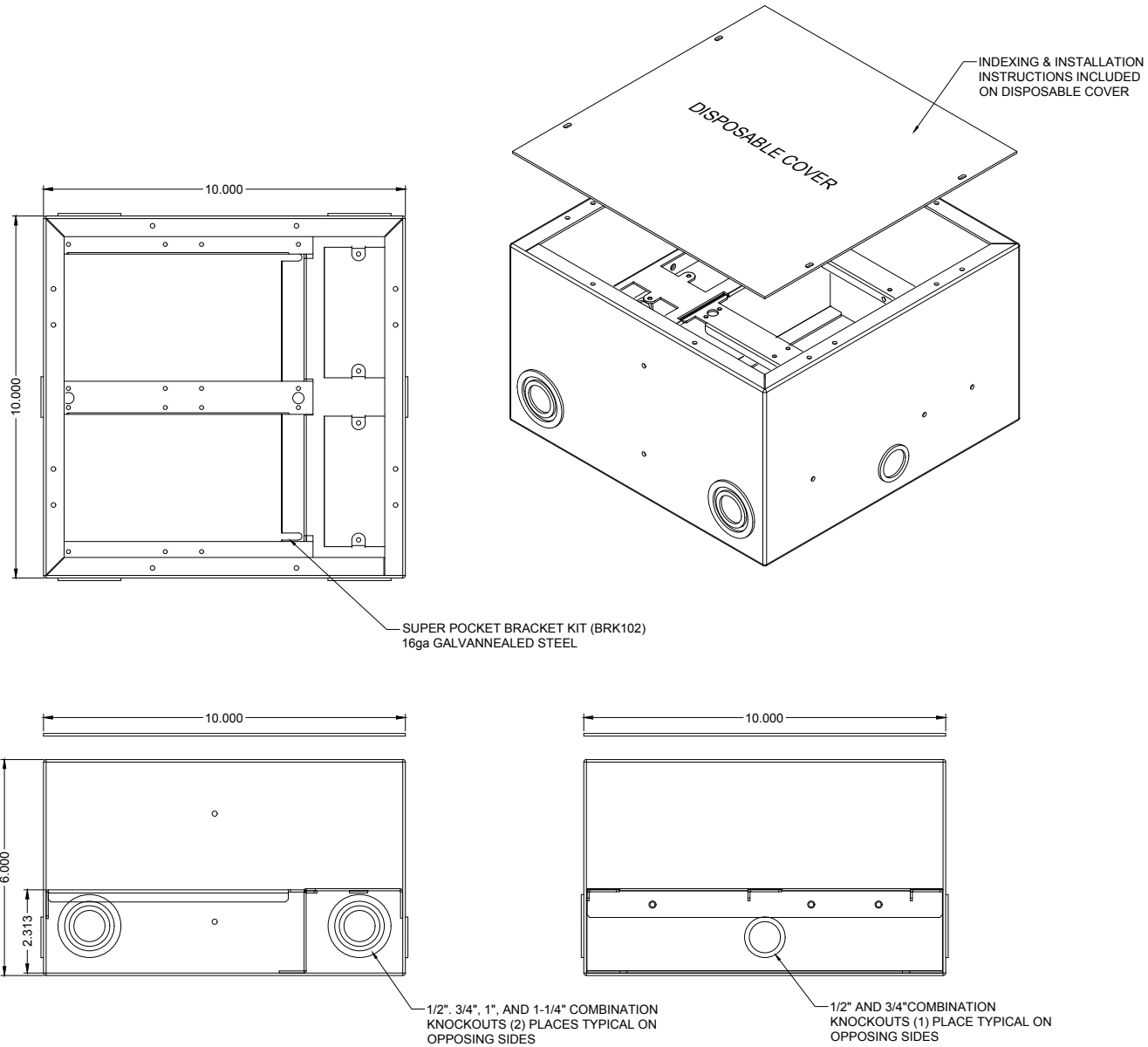
As part of the Super Pocket System



PROUDLY MADE
IN THE U.S.A.



ACE BACKSTAGE CO
Stage Pocket Systems **Connectivity**
www.acebackstage.com



REVISION: 11/2019

FINISH :

- Electro Deposited Clear Zinc
ASTM Certified

COMPATIBLE BEZELS/LIDS:

Any Full Size Bezel/Lid:
BZ132/BZ232/BZ332

DESCRIPTION:

Rough in Box with Super Pocket Brackets. For use when
installing Super Pockets. Made from 14ga CRS.

REV
1
SHEET
1 OF 1

FULL SIZE BACK BOX
WITH SUPER POCKET BRACKETS

BRK102BBXW



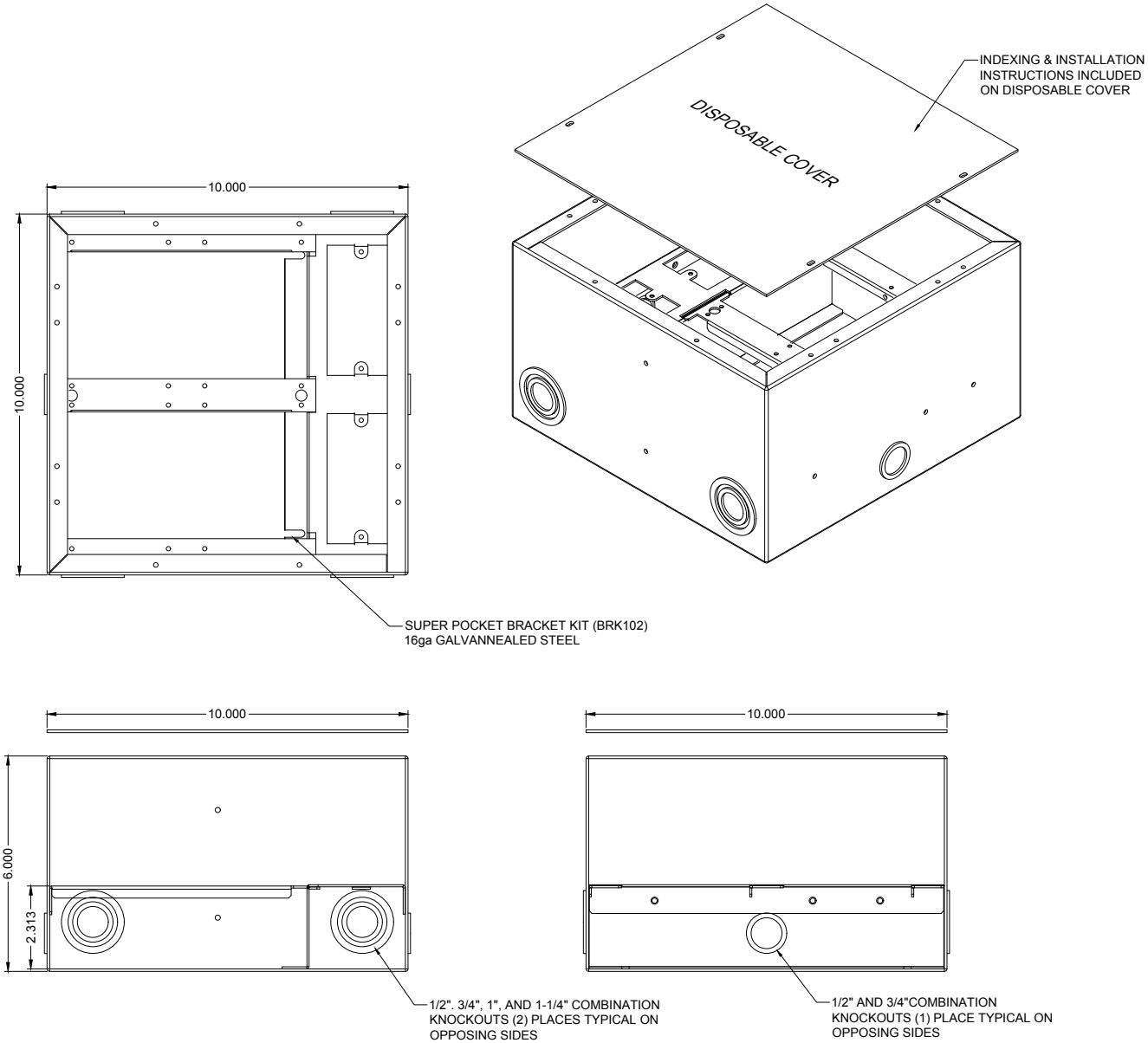
MATES WITH
HORIZONTAL
STYLE POCKET



PROUDLY MADE
IN THE U.S.A.



ACE BACKSTAGE CO
Stage Pocket Systems **Connectivity**
www.acebackstage.com



REVISION: 11/2019

FINISH :

COMPATIBLE BEZELS/LIDS:

DESCRIPTION:

REV

1

ALL DIMENSIONS ARE FOR REFERENCE ONLY. ALL DIMENSIONS ARE IN INCHES

- ASTM Certified Electro Deposited Clear Zinc
- 1/16" Thick Polyurethane Jacket for moisture seal

Any Full Size Bezel/Lid:
BZ132/BZ232/BZ332

Polyurethane encapsulated Rough in Box with Super Pocket Brackets. For use when installing Super Pockets. Provides extra protection from incursion of moisture and water by sealing seams, knock-outs, and holes. Made from 14ga CRS.

SHEET
1 OF 1

FULL SIZE BACK BOX
WITH SUPER POCKET BRACKETS

BRK1028BBX



MATES WITH
HORIZONTAL
STYLE POCKET



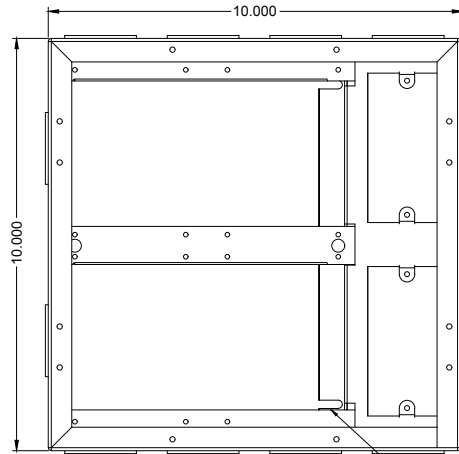
As part of the Super Pocket System



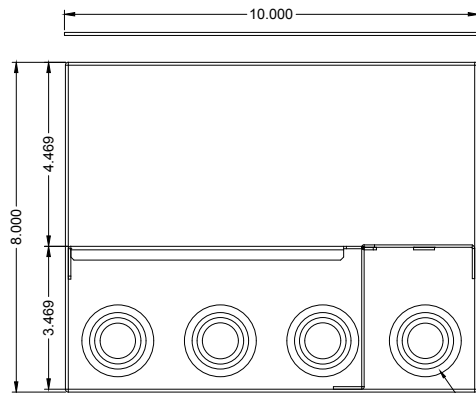
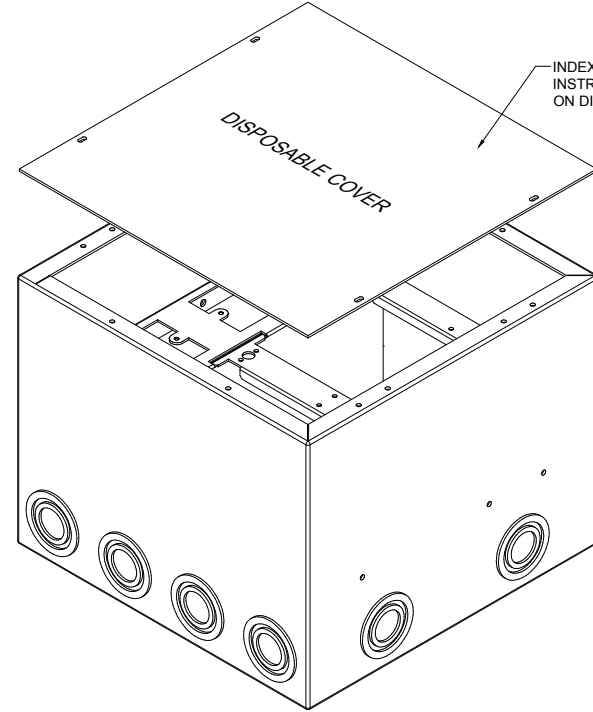
PROUDLY MADE
IN THE U.S.A.



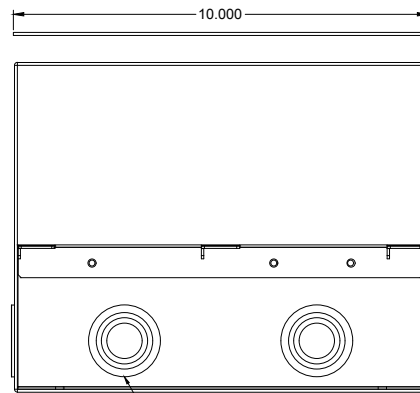
ACE BACKSTAGE CO
Stage Pocket Systems **Connectivity**
www.acebackstage.com



8" DEEP SUPER POCKET BRACKET KIT (BRK1028)
16ga GALVANNEALED STEEL



1/2", 3/4", 1", AND 1-1/4" COMBINATION
KNOCKOUTS (4) PLACES TYPICAL ON
OPPOSING SIDES



1/2", 3/4", 1", AND 1-1/4" COMBINATION
KNOCKOUTS (2) PLACES TYPICAL ON
ONE SIDE ONLY

REVISION: 11/2019

FINISH :

- Electro Deposited Clear Zinc
ASTM Certified

COMPATIBLE BEZELS/LIDS:

Any Full Size Bezel/Lid:
BZ132/BZ232/BZ332

DESCRIPTION:

Rough in Box with Super Pocket Brackets. For use when installing Super Pockets. Extra depth provides addition space behind and in front of panels. Made from 14ga CRS.

REV

1

SHEET

1 OF 1

FULL SIZE BACK BOX
WITH SUPER POCKET BRACKETS

BRK1028BBXW



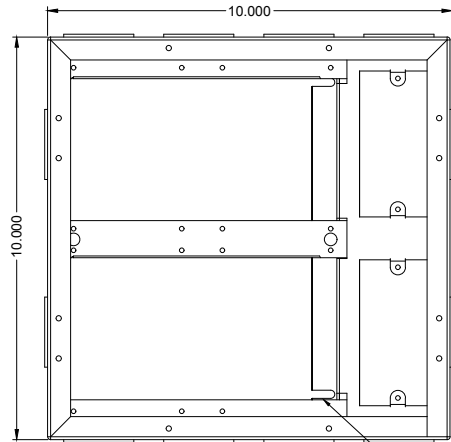
MATES WITH
HORIZONTAL
STYLE POCKET



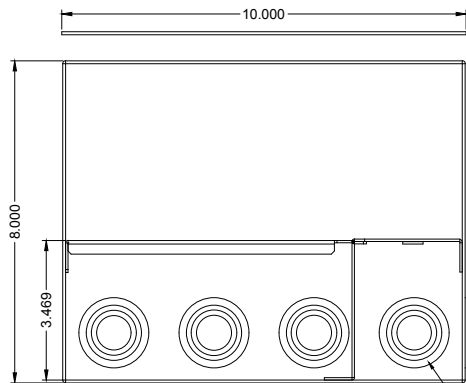
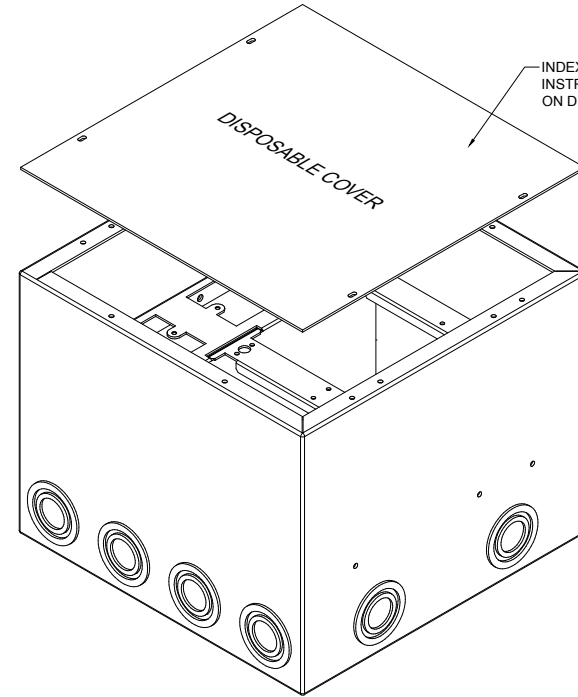
PROUDLY MADE
IN THE U.S.A.



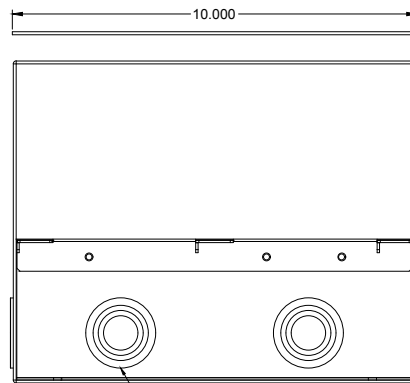
ACE BACKSTAGE CO
Stage Pocket Systems **Connectivity**
www.acebackstage.com



8" DEEP SUPER POCKET BRACKET KIT (BRK1028)
16ga GALVANNEALED STEEL



1/2", 3/4", 1", AND 1-1/4" COMBINATION
KNOCKOUTS (4) PLACES TYPICAL ON
OPPOSING SIDES



1/2", 3/4", 1", AND 1-1/4" COMBINATION
KNOCKOUTS (2) PLACES TYPICAL ON
ONE SIDE ONLY

REVISION: 11/2019

FINISH :

- ASTM Certified Electro Deposited Clear Zinc
- 1/16" Thick Polyurethane Jacket for moisture seal

COMPATIBLE POCKETS:

Any Full Size Bezel/Lid:
BZ132/BZ232/BZ332

DESCRIPTION:

Polyurethane encapsulated Rough in Box with Super Pocket Brackets. For use when installing Super Pockets. Provides extra protection from incursion of moisture and water by sealing seams, knock-outs, and holes. Extra depth provides addition space behind and in front of panels. Made from 14ga CRS.

REV
1

SHEET

ALL DIMENSIONS ARE FOR REFERENCE ONLY. ALL DIMENSIONS ARE IN INCHES