

**FULL SIZE
BACK ACCESS COVER**

22BAC



MATES WITH
VERTICAL SLANT
STYLE POCKET



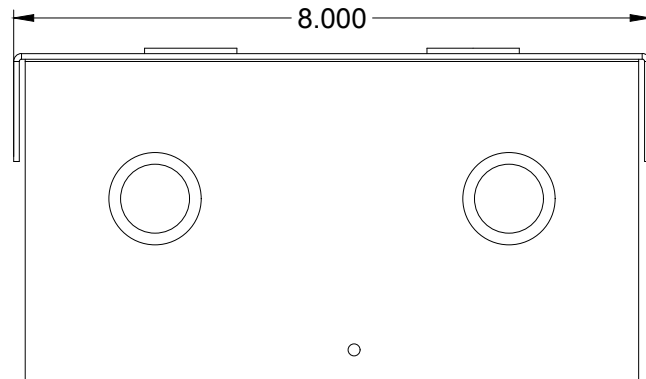
As part of the Full Stage Pocket System



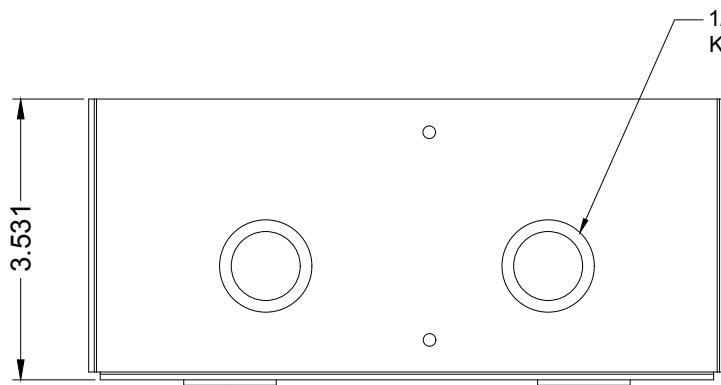
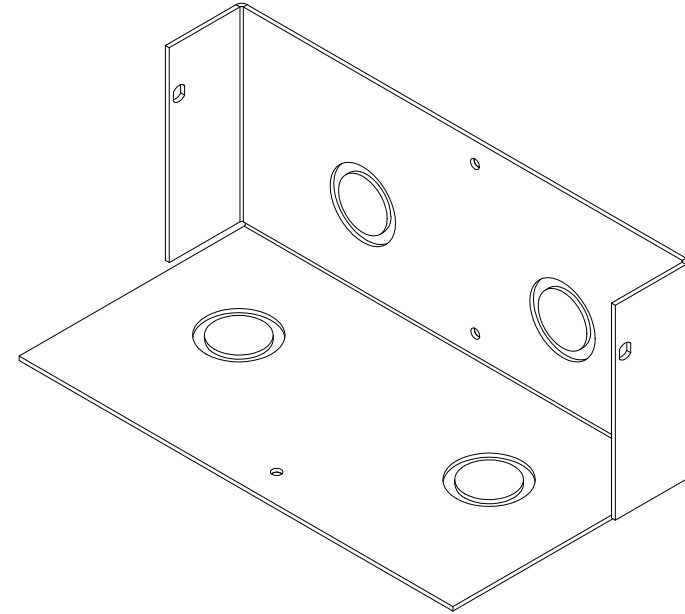
PROUDLY MADE
IN THE U.S.A.



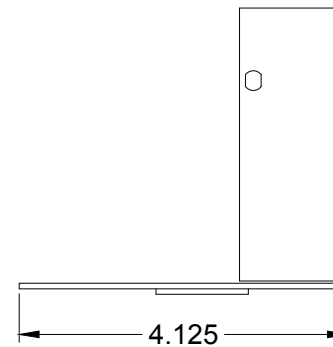
ACE BACKSTAGE CO
Stage Pocket Systems **Connectivity**
www.acebackstage.com



TOP VIEW



BACK VIEW



SIDE VIEW

REVISION: 11/2019

FINISH :

- Electro Deposited Clear Zinc
ASTM Certified

COMPATIBLE POCKETS:

Any Full Size Stage Pocket: 122/222/322

DESCRIPTION:

Back Access Cover for use when installing Full Size
Stage Pocket. Made from 14ga CRS.

REV
1
SHEET
1 OF 1

FULL SIZE BACK ACCESS COVER
WITH ISOLATING DIVIDER.

ISO22BAC



MATES WITH
VERTICAL SLANT
STYLE POCKET



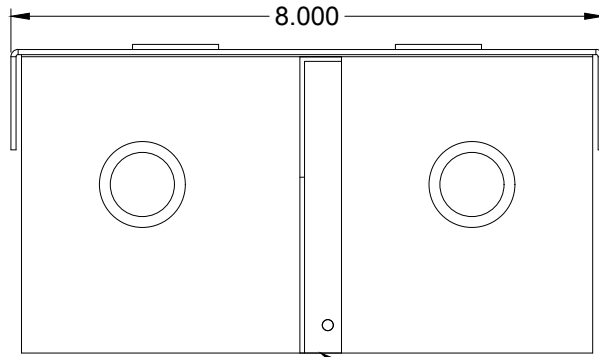
As part of the Full Stage Pocket System



PROUDLY MADE
IN THE U.S.A.

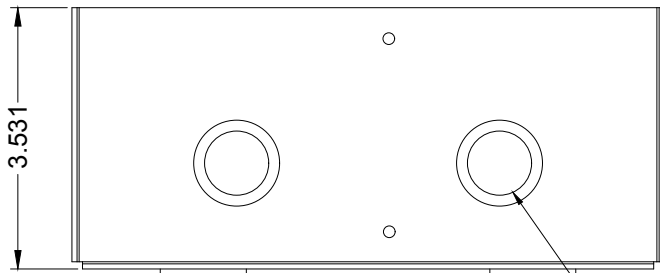
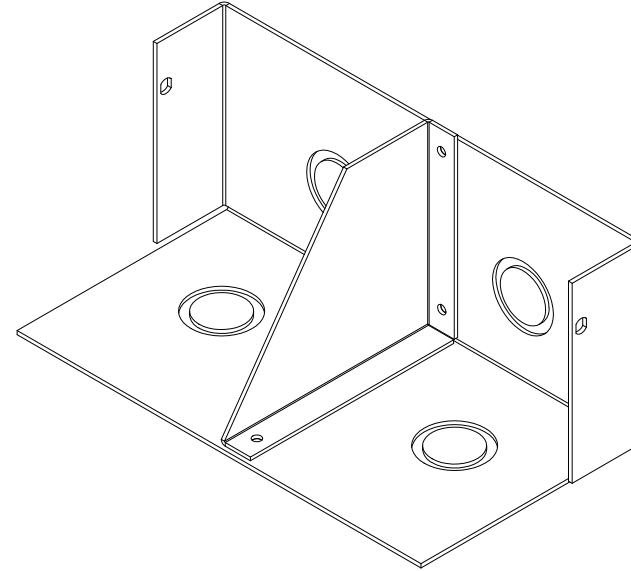


ACE BACKSTAGE CO
Stage Pocket Systems **Connectivity**
www.acebackstage.com



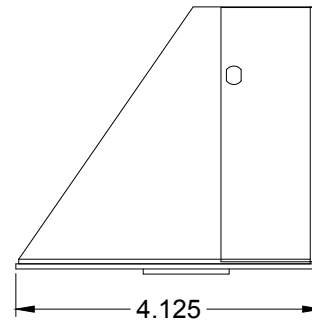
TOP VIEW

A/C ISOLATING DIVIDER
16ga GALVANNEALED STEEL



BACK VIEW

1/2" AND 3/4" COMBINATION
KNOCKOUTS (4) PLACES



4.125

REVISION: 11/2019

FINISH :

- Electro Deposited Clear Zinc
ASTM Certified

COMPATIBLE POCKETS:

Any Full Size Stage Pocket: 122/222/322

DESCRIPTION:

Back Access Cover for use when installing high and low voltage in
the same Full Size Stage Pocket.
Made from 14ga CRS.

REV

1

SHEET

1 OF 1

**HALF SIZE
BACK ACCESS COVER**

23BAC



MATES WITH
VERTICAL SLANT
STYLE POCKET



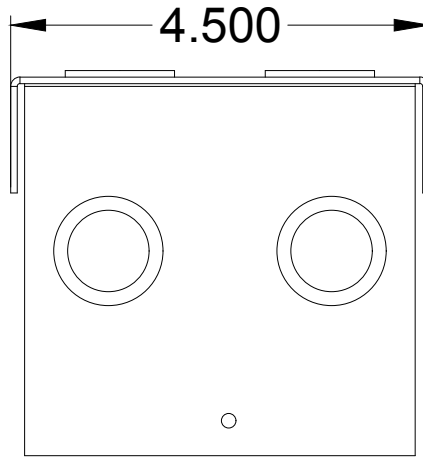
As part of the Half Stage Pocket System



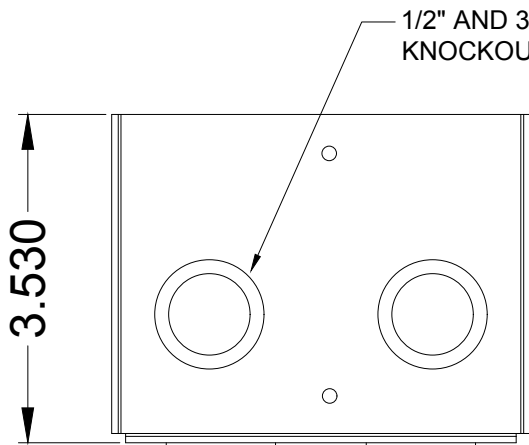
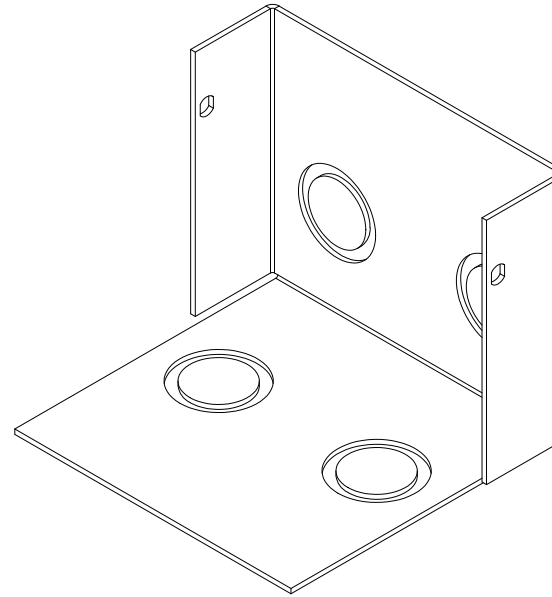
PROUDLY MADE
IN THE U.S.A.



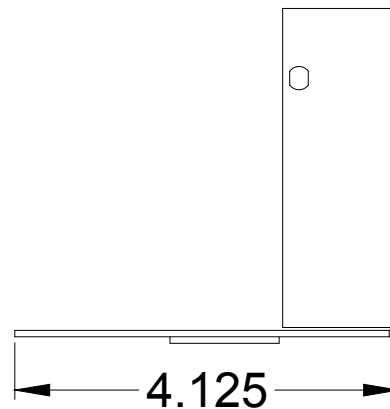
ACE BACKSTAGE CO
Stage Pocket Systems **Connectivity**
www.acebackstage.com



TOP VIEW



FRONT VIEW



REVISION: 11/2019	FINISH : - Electro Deposited Clear Zinc ASTM Certified	COMPATIBLE POCKETS: Any Half Size Stage Pocket: 123/223/323	DESCRIPTION: Back Access Cover for use when installing Half Size Stage Pocket. Made from 14ga CRS.	REV 1 SHEET 1 of 1
-------------------	--	--	---	-----------------------------

**DOUBLE WIDE SIZE
BACK ACCESS COVER**

24BAC



MATES WITH
VERTICAL SLANT
STYLE POCKET



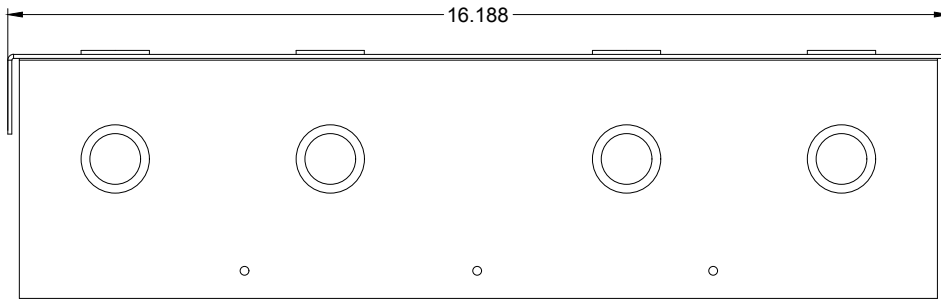
As part of the Double Wide Stage Pocket System



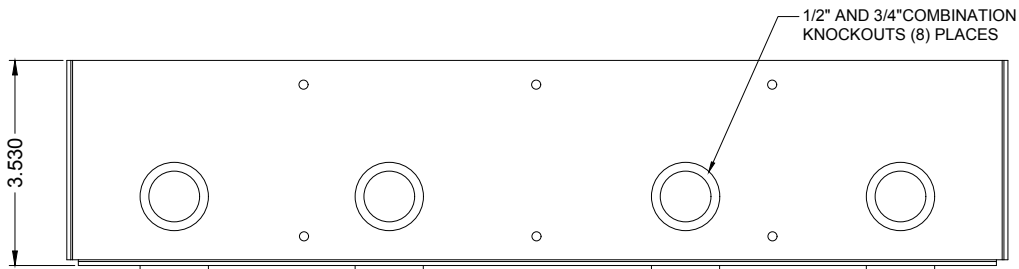
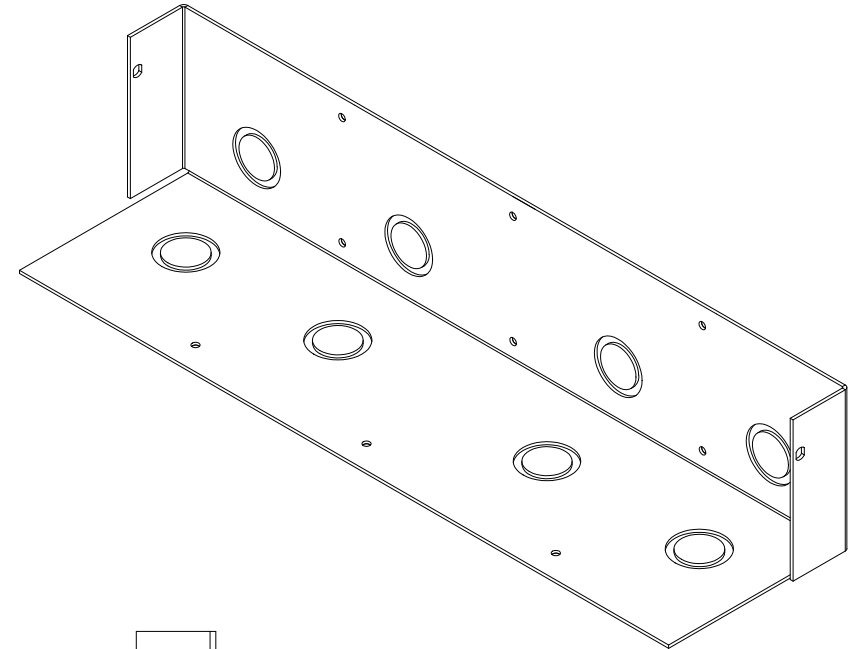
PROUDLY MADE
IN THE U.S.A.



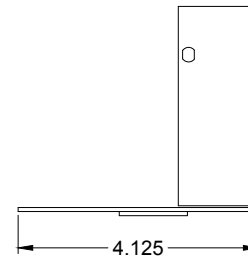
ACE BACKSTAGE CO
Stage Pocket Systems **Connectivity**
www.acebackstage.com



TOP VIEW



BACK VIEW



SIDE VIEW

REVISION: 11/2019	FINISH : - Electro Deposited Clear Zinc ASTM Certified	COMPATIBLE POCKETS: Any Double Wide Size Stage Pocket: 124/224/324	DESCRIPTION: Back Access Cover for use when installing Double Wide Size Stage Pocket. Made from 14ga CRS.	REV 1 SHEET 1 OF 1
-------------------	--	--	---	-----------------------------

DOUBLE WIDE SIZE
BACK ACCESS COVER WITH
ISOLATING DIVIDER.

ISO24BAC



MATES WITH
VERTICAL SLANT
STYLE POCKET



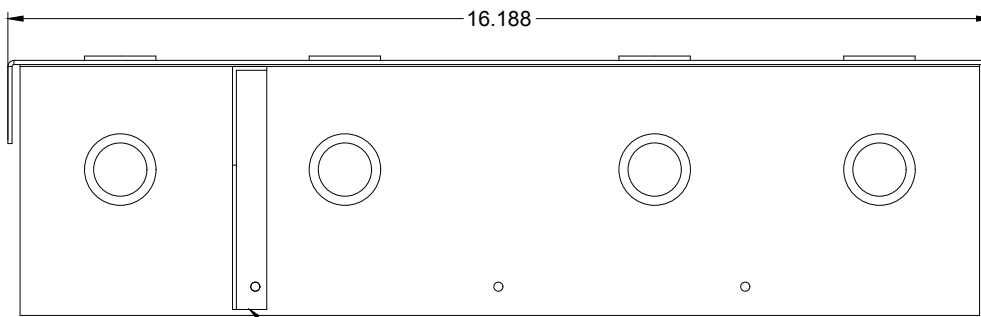
As part of the Double Wide Stage Pocket System



PROUDLY MADE
IN THE U.S.A.

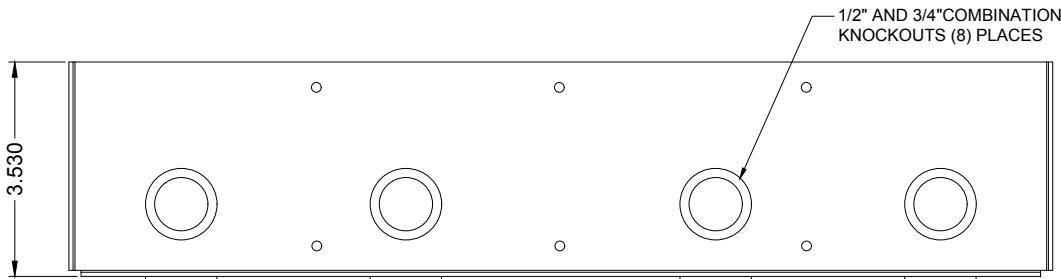
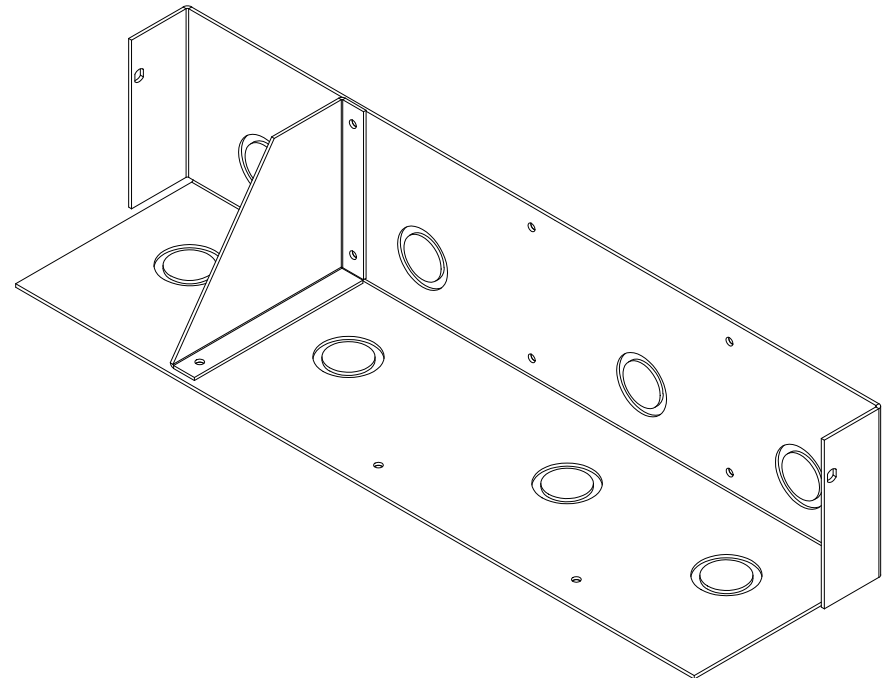


ACE BACKSTAGE CO
Stage Pocket Systems **Connectivity**
www.acebackstage.com



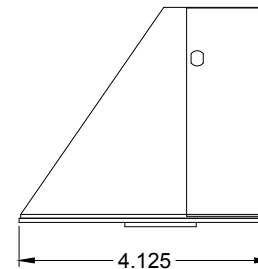
TOP VIEW

A/C ISOLATING DIVIDER
INSTALLED IN 1 OF 3 POSITIONS.
16ga GALVANNEALED STEEL



BACK VIEW

1/2" AND 3/4" COMBINATION
KNOCKOUTS (8) PLACES



SIDE VIEW

REVISION: 11/2019	FINISH : - Electro Deposited Clear Zinc ASTM Certified	COMPATIBLE POCKETS: Any Double Wide Size Stage Pocket: 124/224/324	DESCRIPTION: Back Access Cover for use when installing high and low voltage in the same Double Wide Size Stage Pocket. Made from 14ga CRS.	REV 1 SHEET 1 OF 1
-------------------	--	--	---	-----------------------------