

**DOUBLE WIDE SIZE  
BACK BOX**

**104BBX**



MATES WITH  
VERTICAL SLANT  
STYLE POCKET



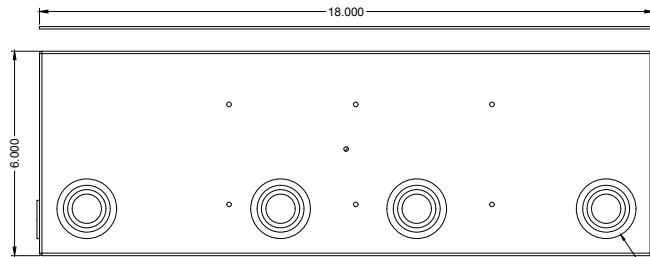
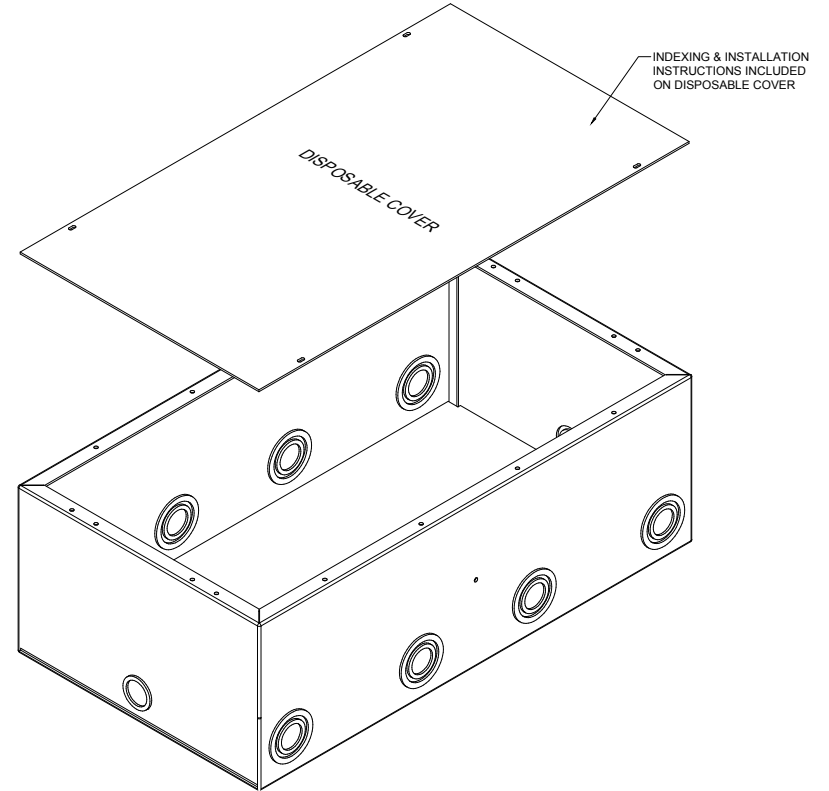
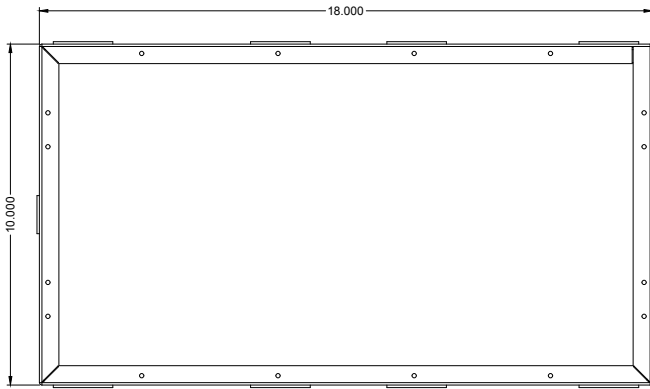
As part of the Double Wide Stage Pocket System



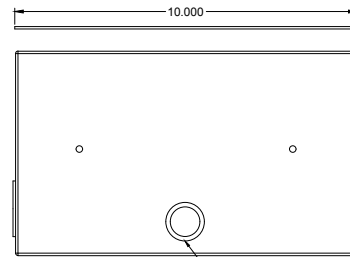
PROUDLY MADE  
IN THE U.S.A.



**ACE BACKSTAGE CO**  
Stage Pocket Systems **Connectivity**  
www.acebackstage.com



1/2", 3/4", 1", AND 1-1/4" COMBINATION  
KNOCKOUTS (4) PLACES TYPICAL ON  
OPPOSING SIDES



1/2" AND 3/4" COMBINATION  
KNOCKOUTS (1) PLACE TYPICAL ON  
OPPOSING SIDES

REVISION: 11/2019	FINISH : - Electro Deposited Clear Zinc ASTM Certified	COMPATIBLE POCKETS:  Any Double Wide Size Stage Pocket: 124/224/324	DESCRIPTION:  Rough in Box for use when installing Double Wide Size Stage Pocket. Made from 14ga CRS.	REV 1 SHEET 1 OF 1
-------------------	--	--	--	-----------------------------

**DOUBLE WIDE SIZE  
BACK BOX**

**104BBXW**



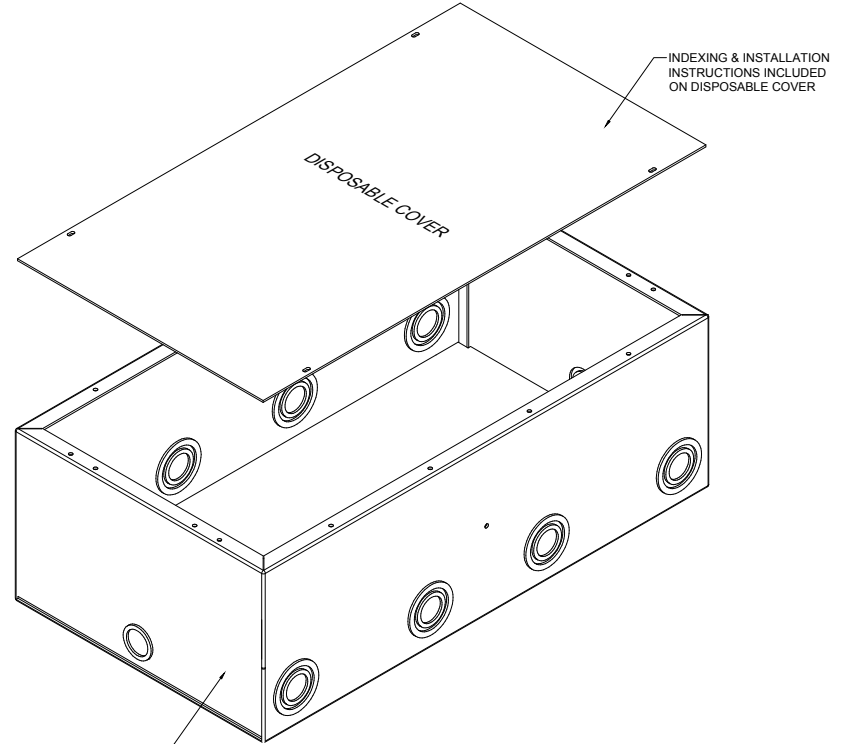
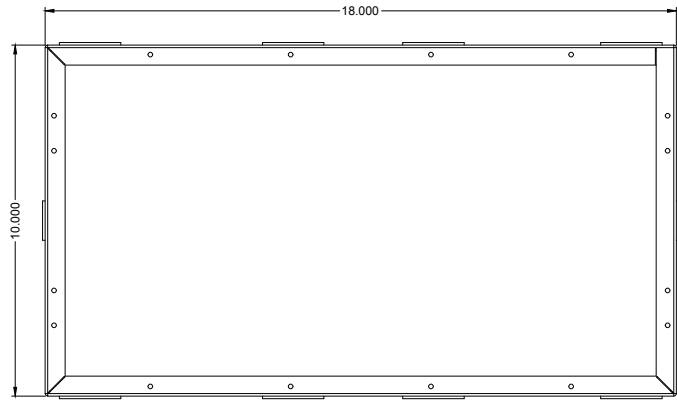
MATES WITH  
VERTICAL SLANT  
STYLE POCKET



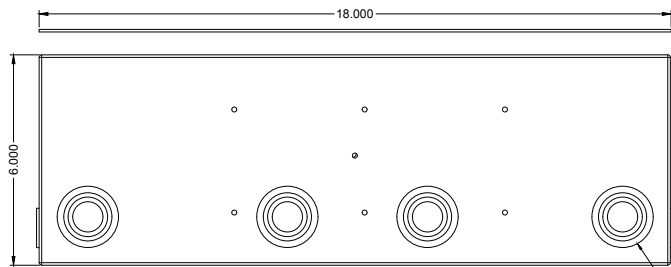
PROUDLY MADE  
IN THE U.S.A.



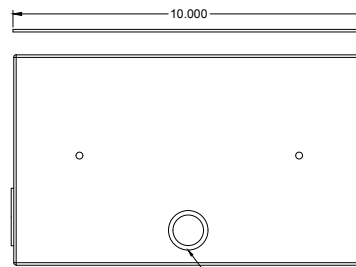
**ACE BACKSTAGE CO**  
Stage Pocket Systems **Connectivity**  
www.acebackstage.com



SEALED WITH THERMOPLASTIC POLYURETHANE—  
APPLIED TO THE EXTERIOR SIDES AND BOTTOM OF BOX



1/2", 3/4", 1", AND 1-1/4" COMBINATION  
KNOCKOUTS (4) PLACES TYPICAL ON  
OPPOSING SIDES



1/2" AND 3/4" COMBINATION  
KNOCKOUTS (1) PLACE TYPICAL ON  
OPPOSING SIDES

REVISION: 11/2019

FINISH :

- ASTM Certified Electro Deposited Clear Zinc  
- 1/16" Thick Polyurethane Jacket for  
moisture seal

COMPATIBLE POCKETS:

**Any Double Wide Size Stage Pocket:**  
**124/224/324**

DESCRIPTION:

Polyurethane encapsulated Rough In Box for use with Double Wide Size Stage Pockets. Provides extra protection from incursion of moisture and water by sealing seams, knock-outs, and holes. Made from 14ga CRS.

REV  
**1**  
SHEET  
1 OF 1

DOUBLE WIDE SIZE BACK BOX  
WITH ISOLATING DIVIDER

ISO104BBX



MATES WITH  
VERTICAL SLANT  
STYLE POCKET



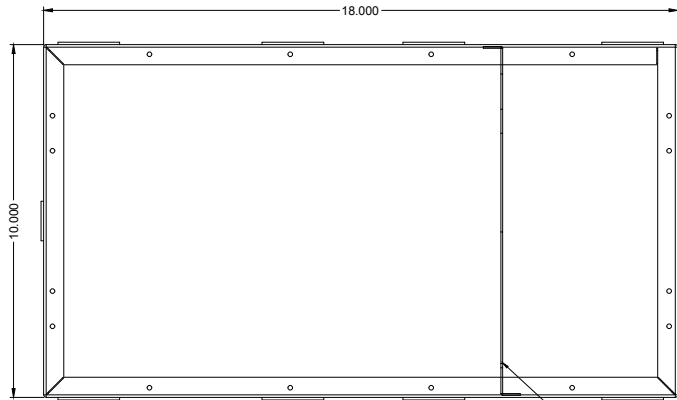
As part of the Double Wide Stage Pocket System



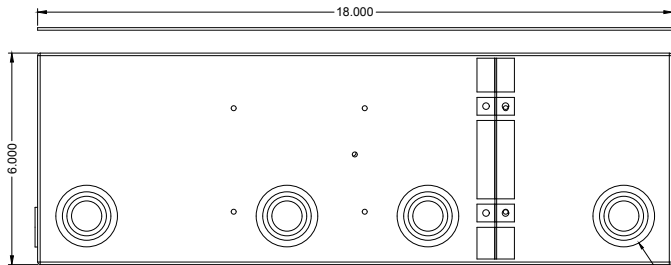
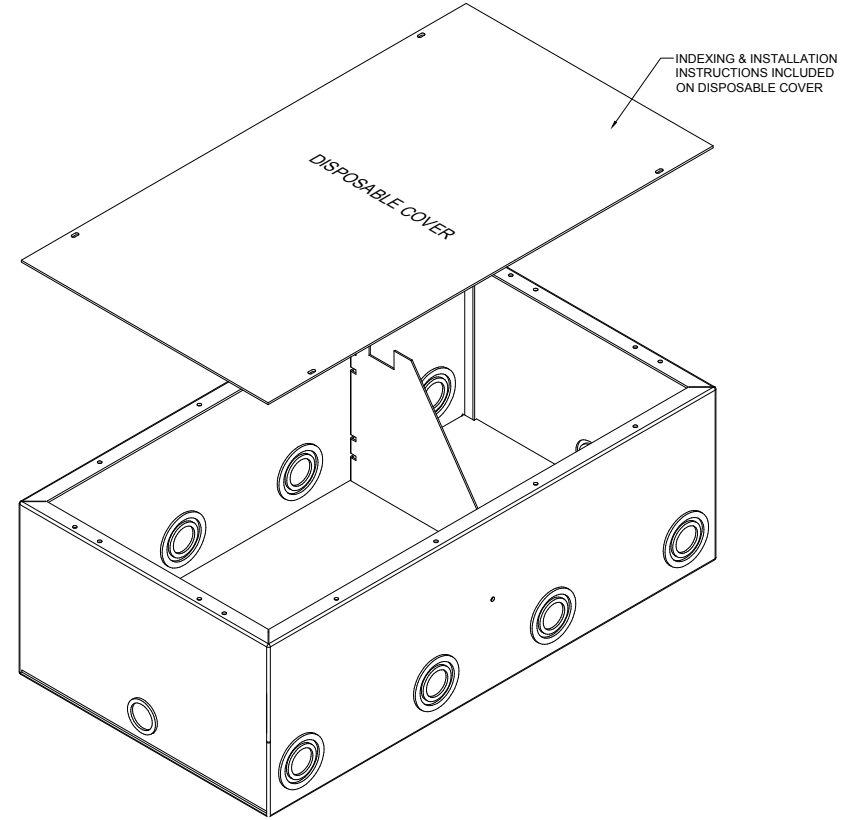
PROUDLY MADE  
IN THE U.S.A.



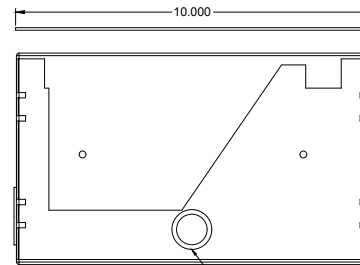
**ACE BACKSTAGE CO**  
Stage Pocket Systems **Connectivity**  
www.acebackstage.com



A/C ISOLATING DIVIDER  
INSTALLED IN 1 OF 3 POSITIONS.  
16ga GALVANNEALED STEEL



1/2", 3/4", 1", AND 1-1/4" COMBINATION  
KNOCKOUTS (4) PLACES TYPICAL ON  
OPPOSING SIDES



1/2" AND 3/4" COMBINATION  
KNOCKOUTS (1) PLACE TYPICAL ON  
OPPOSING SIDES

REVISION: 11/2019

FINISH :

- Electro Deposited Clear Zinc  
ASTM Certified

COMPATIBLE POCKETS:

Any Double Wide Size Stage Pocket:  
124/224/324

DESCRIPTION:

Rough in Box with Isolation Bracket for use when installing  
high and low voltage in the same Double Wide Size Stage  
Pocket. Made from 14ga CRS.

REV  
1  
SHEET  
1 OF 1

DOUBLE WIDE SIZE BACK BOX  
WITH ISOLATING DIVIDER

ISO104BBXW



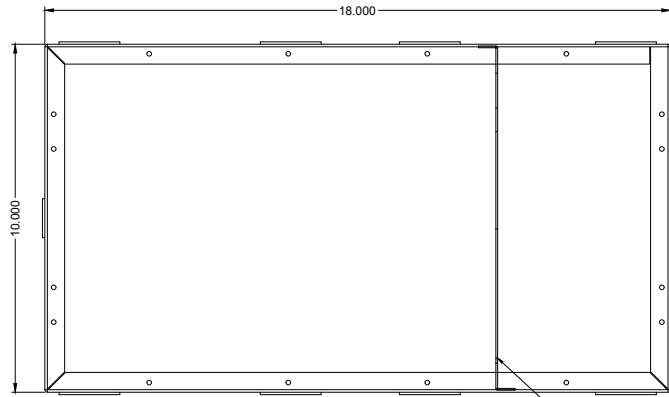
MATES WITH  
VERTICAL SLANT  
STYLE POCKET



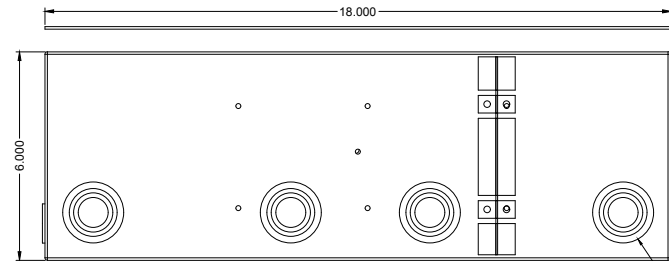
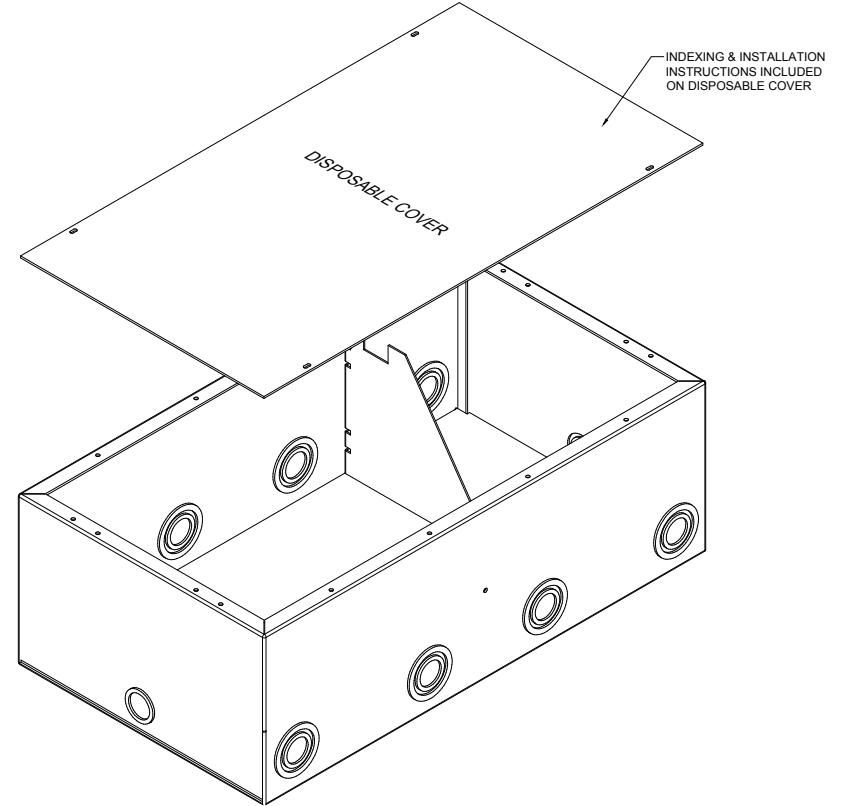
PROUDLY MADE  
IN THE U.S.A.



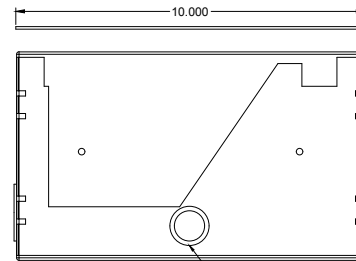
**ACE BACKSTAGE CO**  
Stage Pocket Systems **Connectivity**  
www.acebackstage.com



A/C ISOLATING DIVIDER  
INSTALLED IN 1 OF 3 POSITIONS.  
16ga GALVANNEALED STEEL



1/2", 3/4", 1", AND 1-1/4" COMBINATION  
KNOCKOUTS (4) PLACES TYPICAL ON  
OPPOSING SIDES



1/2" AND 3/4" COMBINATION  
KNOCKOUTS (1) PLACE TYPICAL ON  
OPPOSING SIDES

REVISION: 11/2019

FINISH :

- ASTM Certified Electro Deposited Clear Zinc  
- 1/16" Thick Polyurethane Jacket for  
moisture seal

COMPATIBLE POCKETS:

Any Double Wide Size Stage Pocket:  
124/224/324

DESCRIPTION:

Polyurethane encapsulated Rough In Box for use with Double Wide Size Stage Pockets. Provides extra protection from incursion of moisture and water by sealing seams, knock-outs, and holes. Includes Isolation Bracket for use when installing high and low voltage in the same Double Wide Size Stage Pocket. Made from 14ga CRS.

REV  
1  
SHEET  
1 OF 1

DOUBLE WIDE SIZE BACK BOX  
WITH SUPER POCKET BRACKETS

BRK104BBX



MATES WITH  
HORIZONTAL  
STYLE POCKET



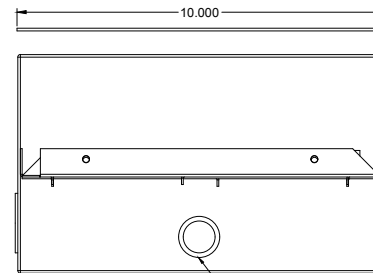
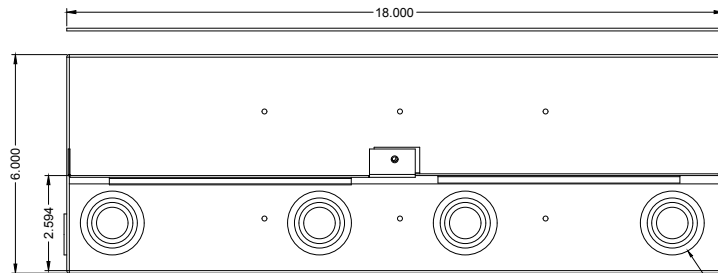
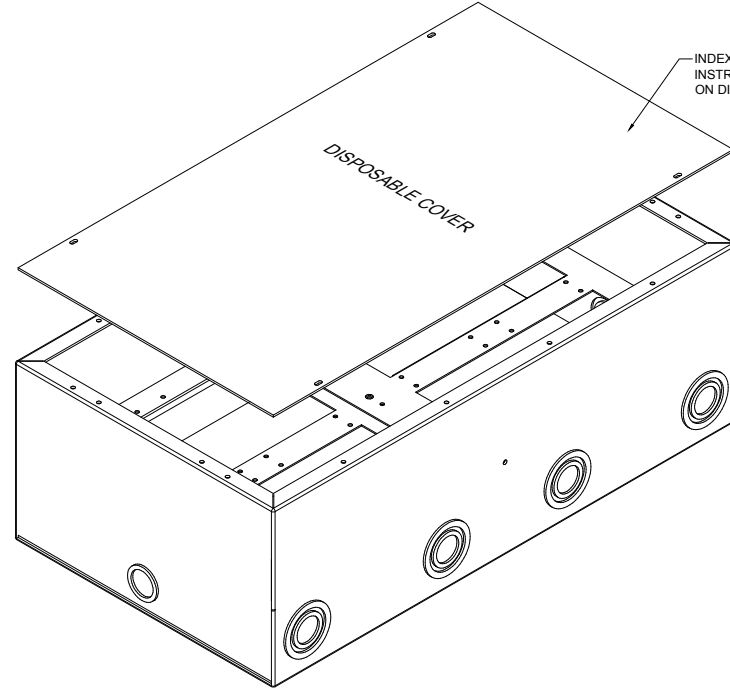
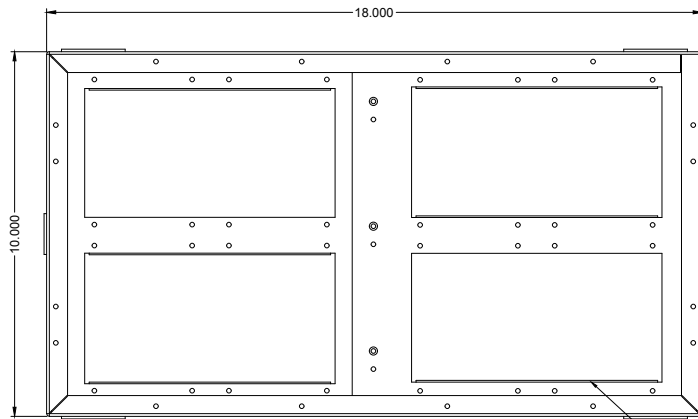
As part of the Super Double Wide Pocket System



PROUDLY MADE  
IN THE U.S.A.



**ACE BACKSTAGE CO**  
Stage Pocket Systems **Connectivity**  
www.acebackstage.com



REVISION: 11/2019

FINISH :

- Electro Deposited Clear Zinc  
ASTM Certified

COMPATIBLE BEZELS/LIDS:

Any Double Wide Size Bezel/Lid:  
BZ134/BZ234/BZ334

DESCRIPTION:

Rough in Box with Super Double Wide Pocket Brackets. For use when installing Super Double Wide Pockets. Made from 14ga CRS.

REV  
1  
SHEET  
1 OF 1

DOUBLE WIDE SIZE BACK BOX  
WITH SUPER POCKET BRACKETS

BRK104BBXW



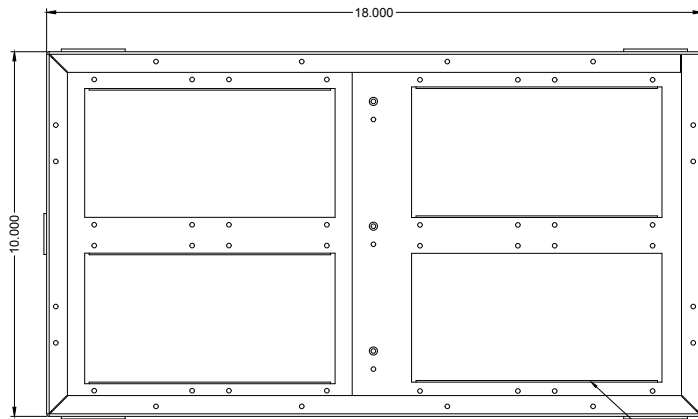
MATES WITH  
HORIZONTAL  
STYLE POCKET



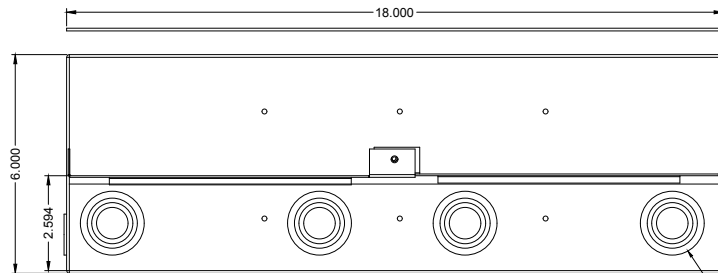
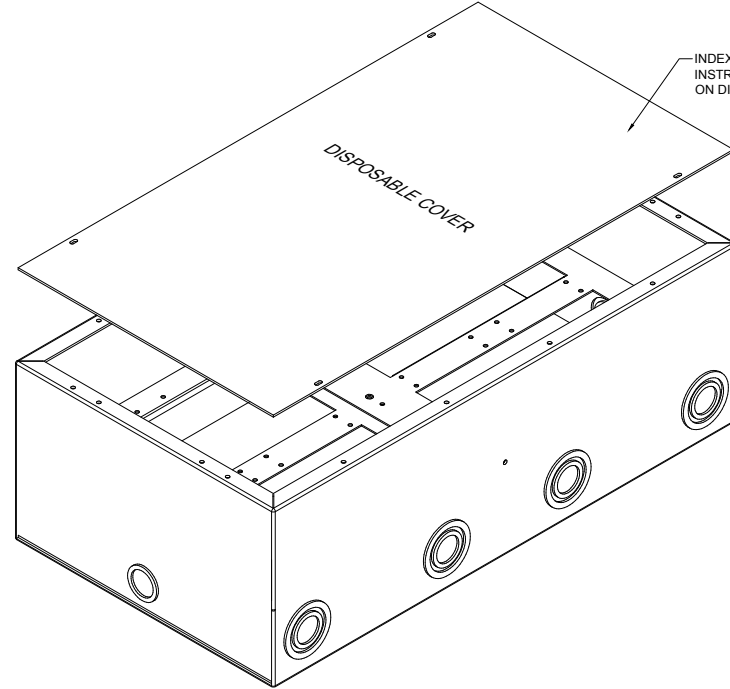
PROUDLY MADE  
IN THE U.S.A.



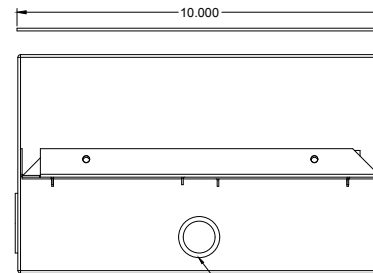
**ACE BACKSTAGE CO**  
Stage Pocket Systems **Connectivity**  
www.acebackstage.com



SUPER DOUBLE WIDE POCKET BRACKET KIT (BRK104)  
16ga GALVANNEALED STEEL



1/2", 3/4", 1", AND 1-1/4" COMBINATION  
KNOCKOUTS (4) PLACES TYPICAL ON  
OPPOSING SIDES



1/2" AND 3/4" COMBINATION  
KNOCKOUTS (1) PLACE TYPICAL ON  
ONE SIDE ONLY

REVISION: 11/2019

FINISH :

- ASTM Certified Electro Deposited Clear Zinc  
- 1/16" Thick Polyurethane Jacket for  
moisture seal

COMPATIBLE BEZELS/LIDS:

Any Double Wide Size Bezel/Lid:  
BZ134/BZ234/BZ334

DESCRIPTION:

Polyurethane encapsulated Rough in Box with Super Double Wide Pocket  
Brackets. For use when installing Super Double Wide Pockets. Provides extra  
protection from incursion of moisture and water by sealing seams, knock-outs,  
and holes. Made from 14ga CRS.

REV  
1  
SHEET  
1 OF 1

**DOUBLE WIDE SIZE  
8" DEEP BACK BOX**

**1048BBX**



MATES WITH  
VERTICAL SLANT  
STYLE POCKET



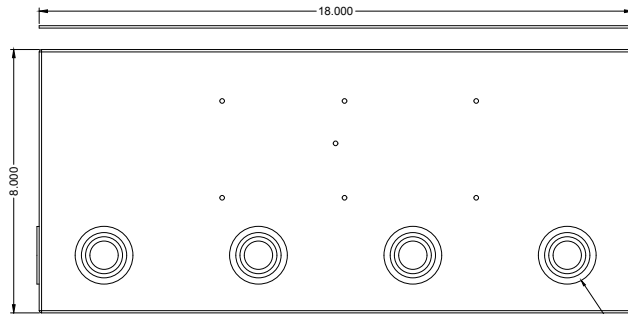
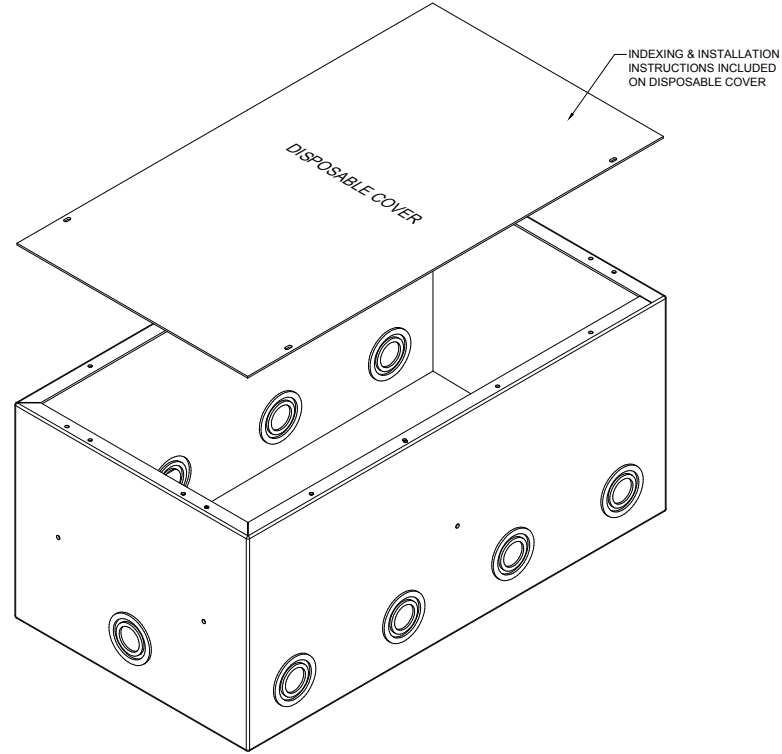
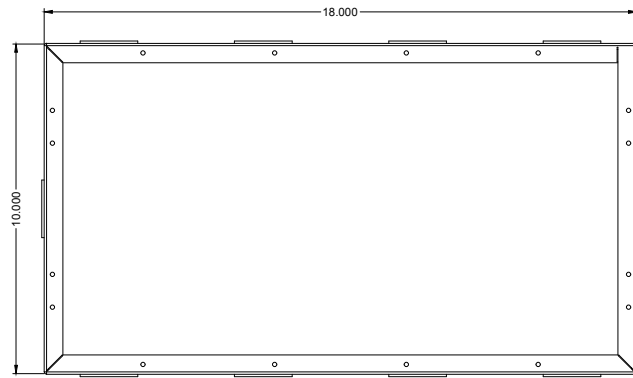
As part of the Double Wide Stage Pocket System



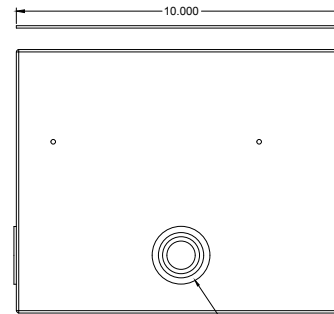
PROUDLY MADE  
IN THE U.S.A.



**ACE BACKSTAGE CO**  
Stage Pocket Systems **Connectivity**  
www.acebackstage.com



1/2", 3/4", 1", AND 1-1/4" COMBINATION  
KNOCKOUTS (4) PLACES TYPICAL ON  
OPPOSING SIDES



1/2", 3/4", 1", AND 1-1/4" COMBINATION  
KNOCKOUTS (1) PLACE TYPICAL ON  
OPPOSING SIDES

REVISION: 11/2019

FINISH :

- Electro Deposited Clear Zinc  
ASTM Certified

COMPATIBLE POCKETS:

Any Double Wide Size Stage Pocket:  
124/224/324

DESCRIPTION:

Rough In Box for use with Double Wide Size Stage Pockets.  
Provides 3.5" of junction clearance underneath the installed  
Pocket. Made from 14ga CRS.

REV  
**1**  
SHEET  
1 OF 1

DOUBLE WIDE SIZE  
8" DEEP BACK BOX

1048BBXW



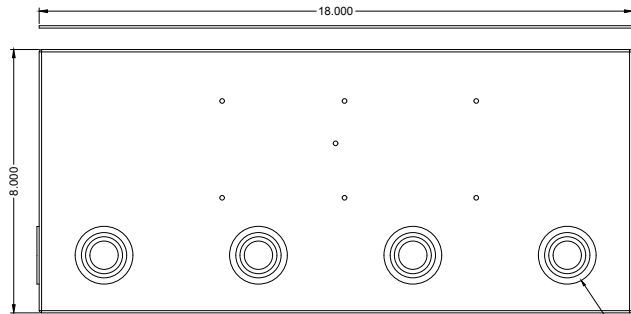
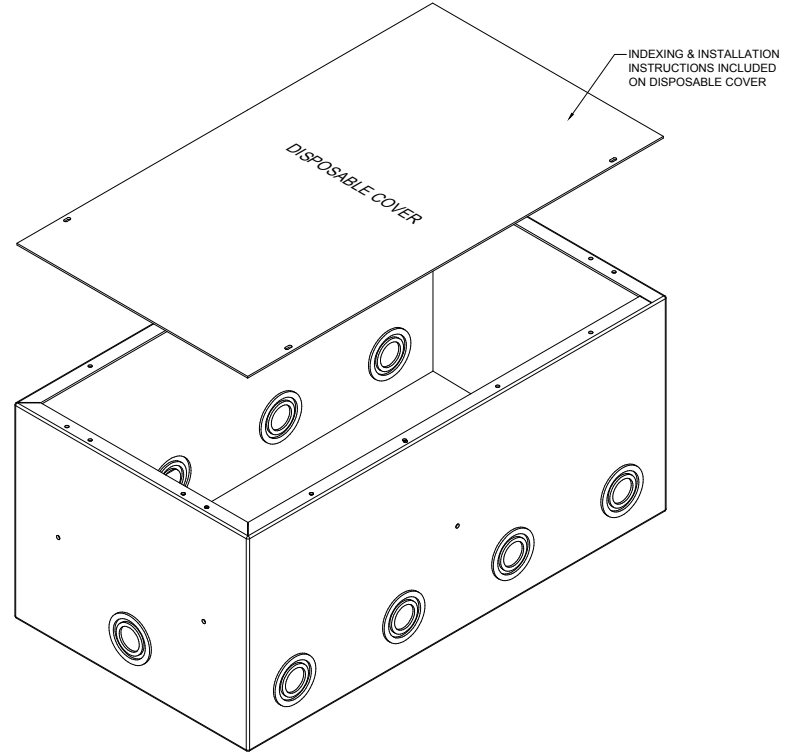
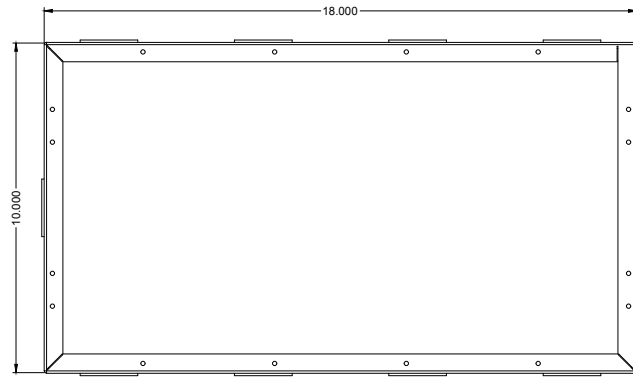
MATES WITH  
VERTICAL SLANT  
STYLE POCKET



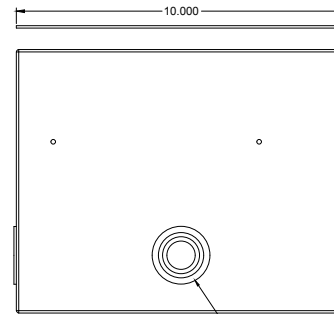
PROUDLY MADE  
IN THE U.S.A.



**ACE BACKSTAGE CO**  
Stage Pocket Systems **Connectivity**  
www.acebackstage.com



1/2", 3/4", 1", AND 1-1/4" COMBINATION  
KNOCKOUTS (4) PLACES TYPICAL ON  
OPPOSING SIDES



1/2", 3/4", 1", AND 1-1/4" COMBINATION  
KNOCKOUTS (1) PLACE TYPICAL ON  
OPPOSING SIDES

REVISION: 11/2019

FINISH :

- ASTM Certified Electro Deposited Clear Zinc  
- 1/16" Thick Polyurethane Jacket for  
moisture seal

COMPATIBLE POCKETS:

Any Double Wide Size Stage Pocket:  
124/224/324

DESCRIPTION:

Polyurethane encapsulated Rough In Box for use with Double Wide Size Stage Pockets. Provides extra protection from incursion of moisture and water by sealing seams, knock-outs, and holes. Provides 3.5" of junction clearance underneath the installed Pocket. Made from 14ga CRS.

REV  
1  
SHEET  
1 OF 1



DOUBLE WIDE SIZE BACK BOX  
WITH ISOLATING DIVIDER

ISO1048BBX



MATES WITH  
VERTICAL SLANT  
STYLE POCKET



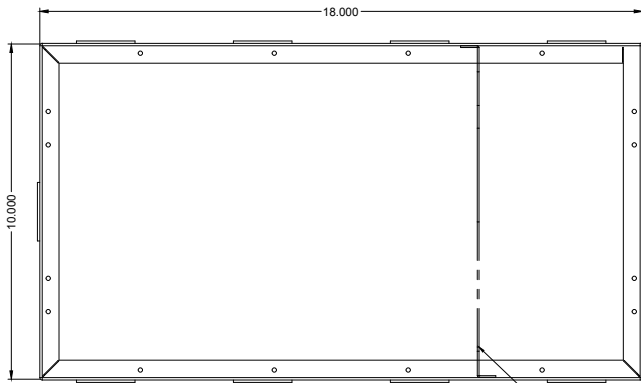
As part of the Double Wide Stage Pocket System



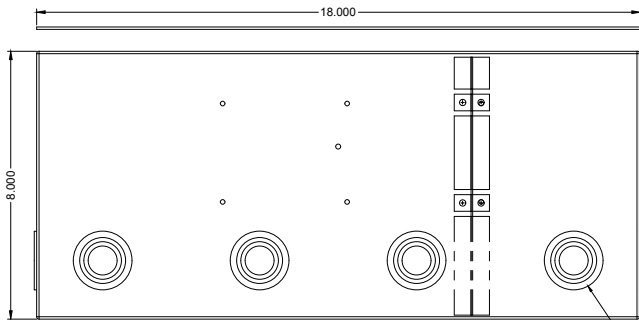
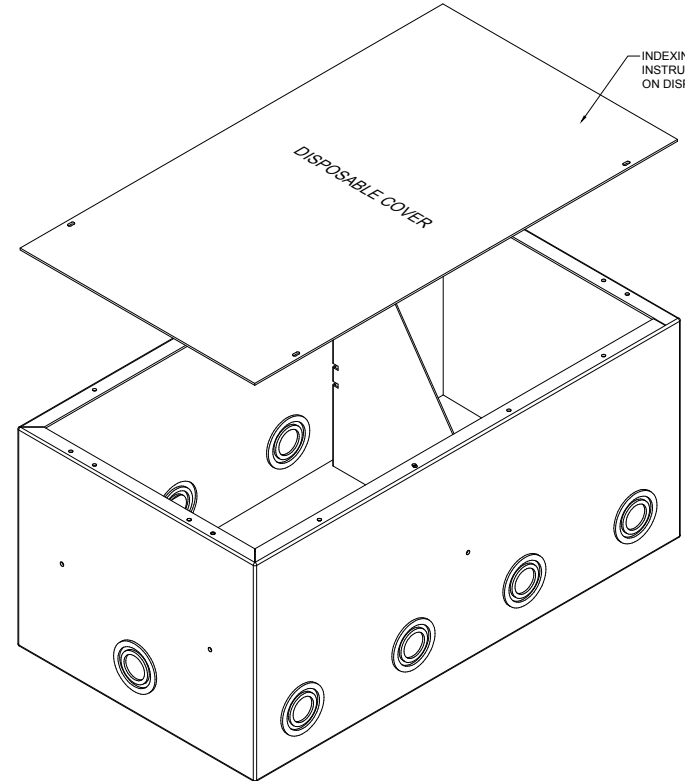
PROUDLY MADE  
IN THE U.S.A.



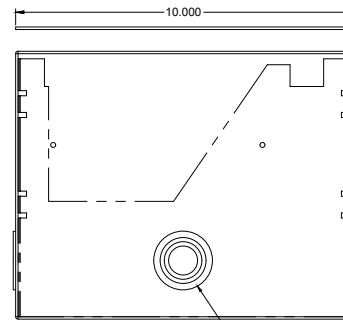
**ACE BACKSTAGE CO**  
Stage Pocket Systems **Connectivity**  
www.acebackstage.com



A/C ISOLATING DIVIDER  
INSTALLED IN 1 OF 3 POSITIONS.  
16ga GALVANNEALED STEEL



1/2", 3/4", 1", AND 1-1/4" COMBINATION  
KNOCKOUTS (4) PLACES TYPICAL ON  
OPPOSING SIDES



1/2", 3/4", 1", AND 1-1/4" COMBINATION  
KNOCKOUTS (1) PLACE TYPICAL ON  
OPPOSING SIDES

REVISION: 11/2019

FINISH :

- Electro Deposited Clear Zinc  
ASTM Certified

COMPATIBLE POCKETS:

Any Double Wide Size Stage Pocket:  
124/224/324

DESCRIPTION:

Rough in Box with Isolation Bracket for use when installing high and low voltage in the same Double Wide Size Stage Pocket. Provides 3.5" of junction clearance underneath the installed Pocket. Made from 14ga CRS.

REV  
1  
SHEET  
1 OF 1

DOUBLE WIDE SIZE  
BACK BOX WITH  
ISOLATING DIVIDER

ISO1048BBXW



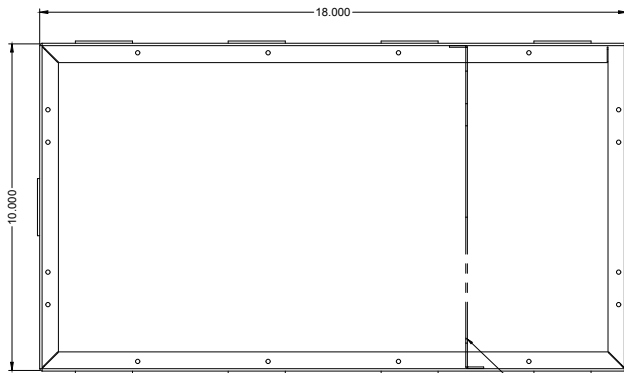
MATES WITH  
VERTICAL SLANT  
STYLE POCKET



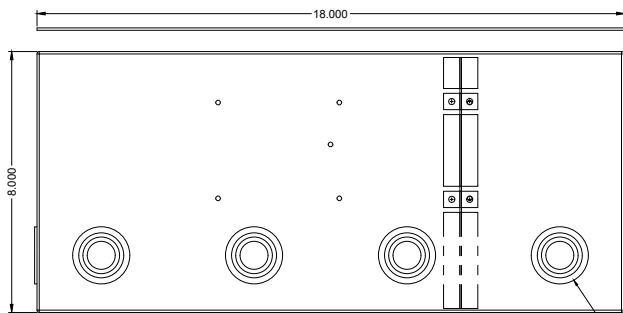
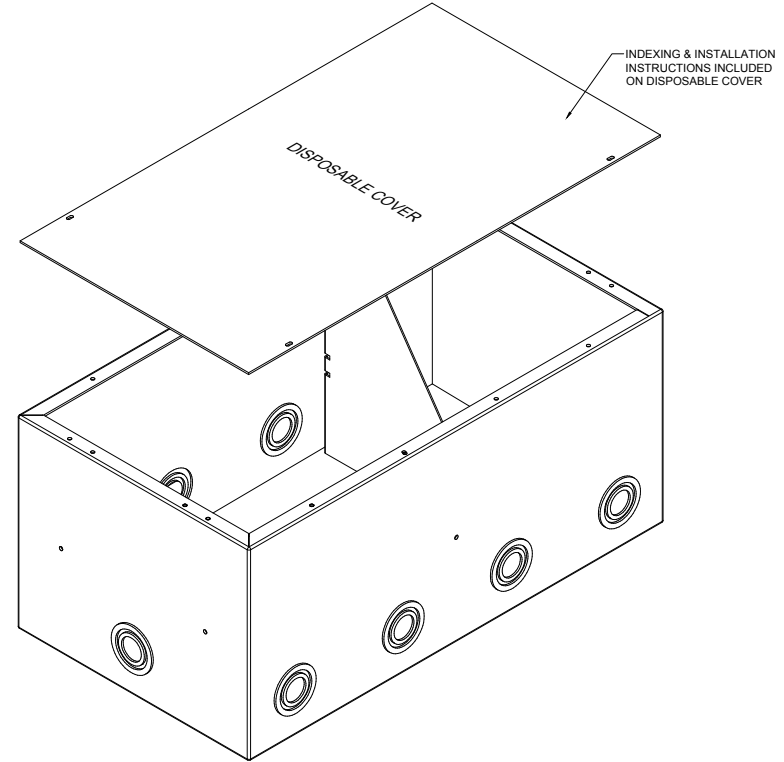
PROUDLY MADE  
IN THE U.S.A.



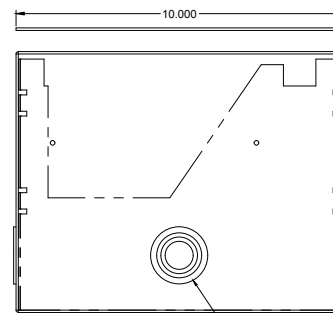
**ACE BACKSTAGE CO**  
Stage Pocket Systems **Connectivity**  
www.acebackstage.com



A/C ISOLATING DIVIDER  
INSTALLED IN 1 OF 3 POSITIONS.  
16ga GALVANNEALED STEEL



1/2", 3/4", 1", AND 1-1/4" COMBINATION  
KNOCKOUTS (4) PLACES TYPICAL ON  
OPPOSING SIDES



1/2", 3/4", 1", AND 1-1/4" COMBINATION  
KNOCKOUTS (1) PLACE TYPICAL ON  
OPPOSING SIDES

REVISION: 11/2019

FINISH :

- ASTM Certified Electro Deposited Clear Zinc
- 1/16" Thick Polyurethane Jacket for moisture seal

COMPATIBLE POCKETS:

Any Double Wide Size Stage Pocket:  
124/224/324

DESCRIPTION:

Polyurethane encapsulated Rough in Box with Isolation Bracket for use when installing high and low voltage in the same Double Wide Size Stage Pocket. Provides extra protection from incursion of moisture and water by sealing seams, knock-outs, and holes. Provides 3.5" of junction clearance underneath the installed Pocket. Made from 14ga CRS.

REV  
1

SHEET  
1 OF 1

DOUBLE WIDE SIZE BACK BOX  
WITH SUPER DOUBLE WIDE  
POCKET BRACKETS

BRK1048BBX



MATES WITH  
HORIZONTAL  
STYLE POCKET



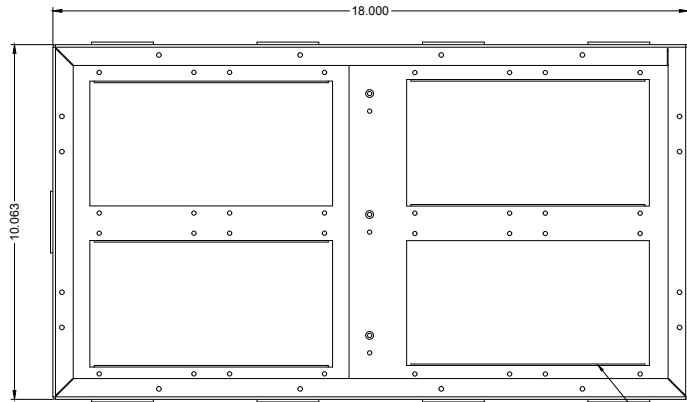
As part of the Super Double Wide Pocket System



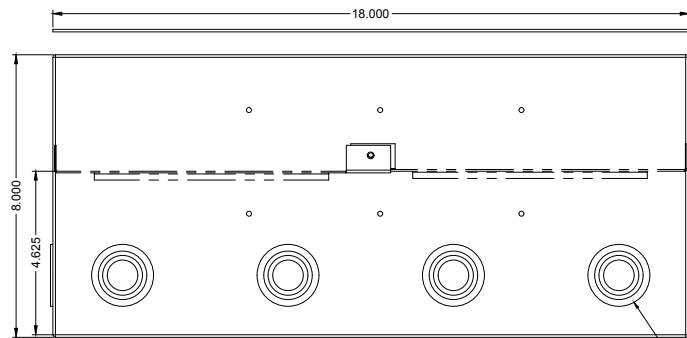
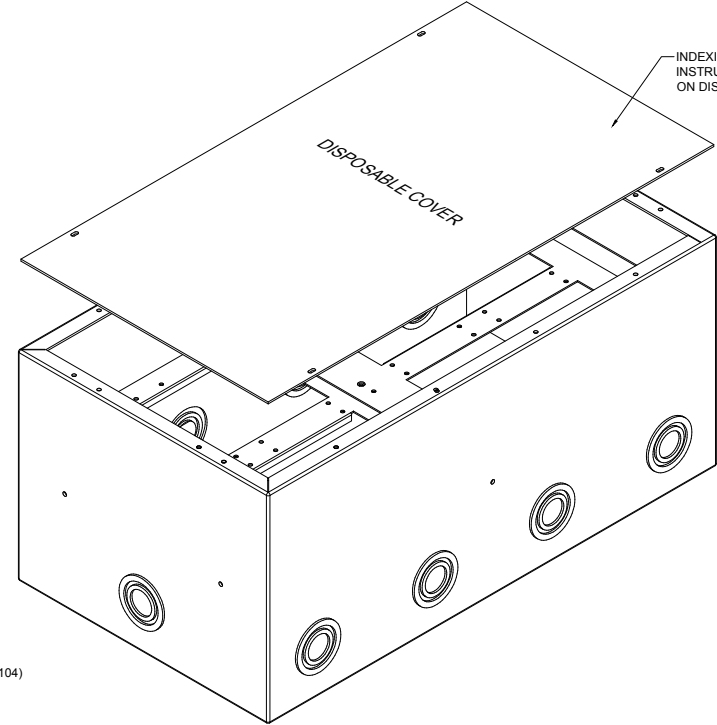
PROUDLY MADE  
IN THE U.S.A.



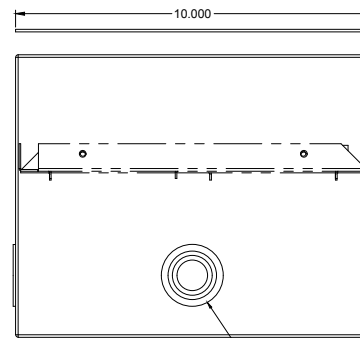
**ACE BACKSTAGE CO**  
Stage Pocket Systems **Connectivity**  
www.acebackstage.com



SUPER DOUBLE WIDE POCKET BRACKET KIT (BRK104)  
16ga GALVANNEALED STEEL



1/2", 3/4", 1", AND 1-1/4" COMBINATION  
KNOCKOUTS (4) PLACES TYPICAL ON  
OPPOSING SIDES



1/2", 3/4", 1", AND 1-1/4" COMBINATION  
KNOCKOUTS (1) PLACE TYPICAL ON  
OPPOSING SIDES

REVISION: 11/2019

FINISH :

- Electro Deposited Clear Zinc  
ASTM Certified

COMPATIBLE BEZELS/LIDS:

Any Double Wide Size Bezel/Lid:  
BZ134/BZ234/BZ334

DESCRIPTION:

Rough in Box with Super Double Wide Pocket Brackets. For use when installing Super Double Wide Pockets. Extra depth provides addition space behind and in front of panels. Made from 14ga CRS.

REV  
1  
SHEET  
1 OF 1

DOUBLE WIDE SIZE BACK BOX  
WITH SUPER POCKET BRACKETS

**BRK1048BBXW**



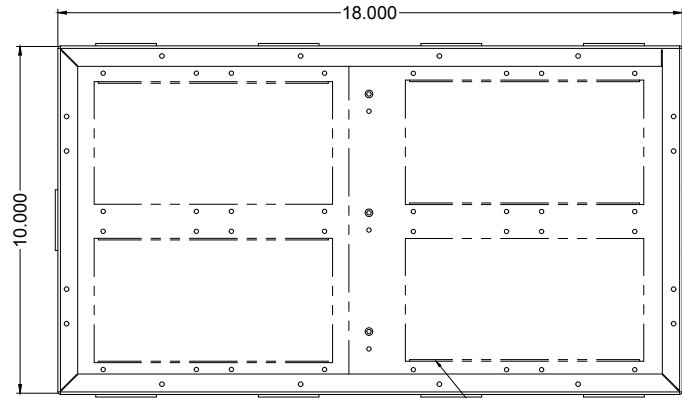
MATES WITH  
HORIZONTAL  
STYLE POCKET



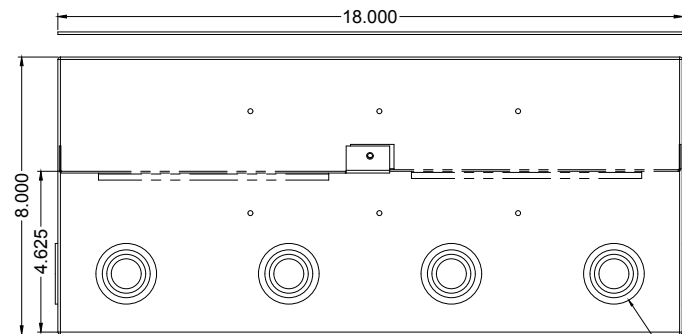
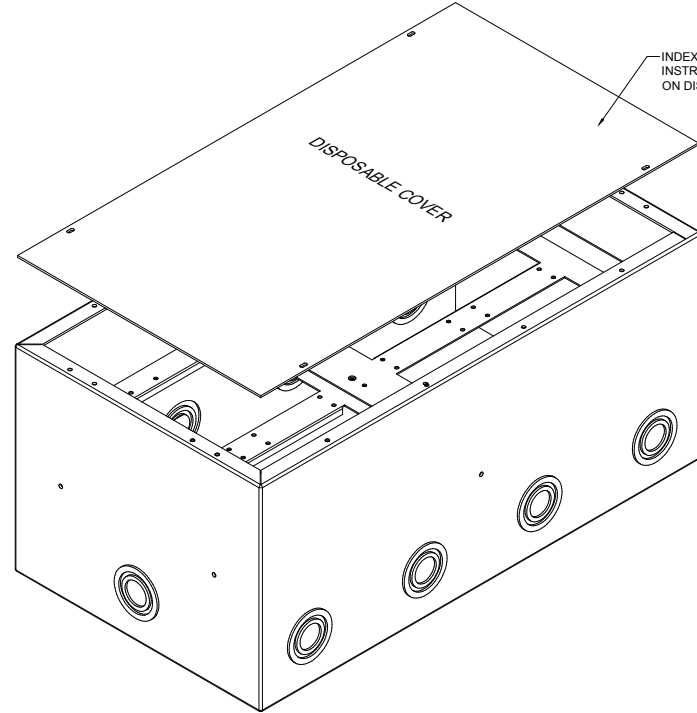
PROUDLY MADE  
IN THE U.S.A.



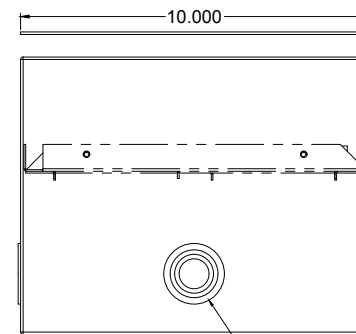
**ACE BACKSTAGE CO**  
Stage Pocket Systems **Connectivity**  
www.acebackstage.com



SUPER DOUBLE WIDE POCKET BRACKET KIT (BRK104)  
16ga GALVANNEALED STEEL



1/2", 3/4", 1", AND 1-1/4" COMBINATION  
KNOCKOUTS (4) PLACES TYPICAL ON  
OPPOSING SIDES



1/2", 3/4", 1", AND 1-1/4" COMBINATION  
KNOCKOUTS (1) PLACE TYPICAL ON  
OPPOSING SIDES

REVISION: 11/2019

FINISH :

- ASTM Certified Electro Deposited Clear Zinc
- 1/16" Thick Polyurethane Jacket for moisture seal

COMPATIBLE POCKETS:

Any Double Wide Size Bezel/Lid:  
BZ134/BZ234/BZ334

DESCRIPTION:

Polyurethane encapsulated Rough in Box with Super Double Wide Pocket Brackets. For use when installing Super Double Wide Pockets. Provides extra protection from incursion of moisture and water by sealing seams, knock-outs, and holes. Extra depth provides addition space behind and in front of panels. Made from 14ga CRS.

REV  
1

SHEET

ALL DIMENSIONS ARE FOR REFERENCE  
ONLY. ALL DIMENSIONS ARE IN INCHES

**DOUBLE WIDE SIZE  
12" DEEP BACK BOX**

**104DDBBX**



MATES WITH  
VERTICAL SLANT  
STYLE POCKET



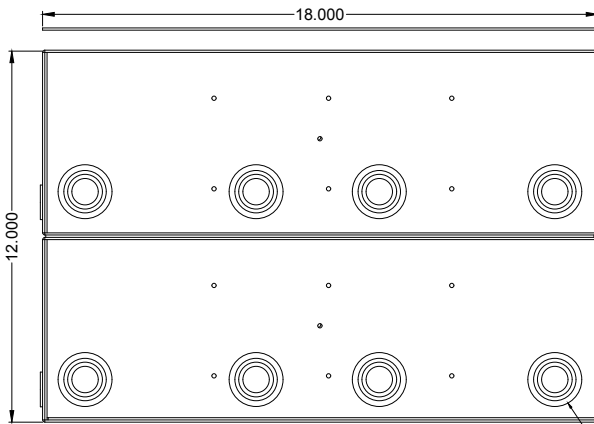
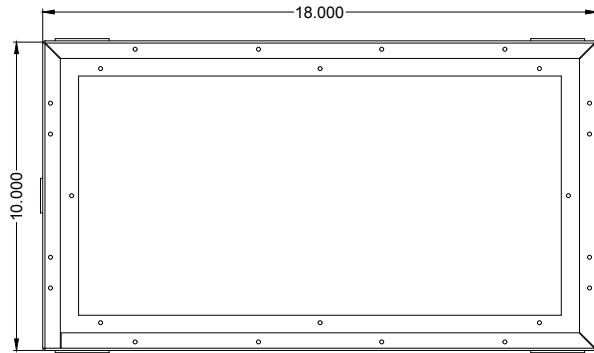
As part of the Double Wide Stage Pocket System



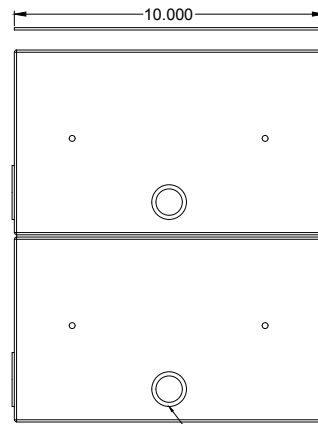
PROUDLY MADE  
IN THE U.S.A.



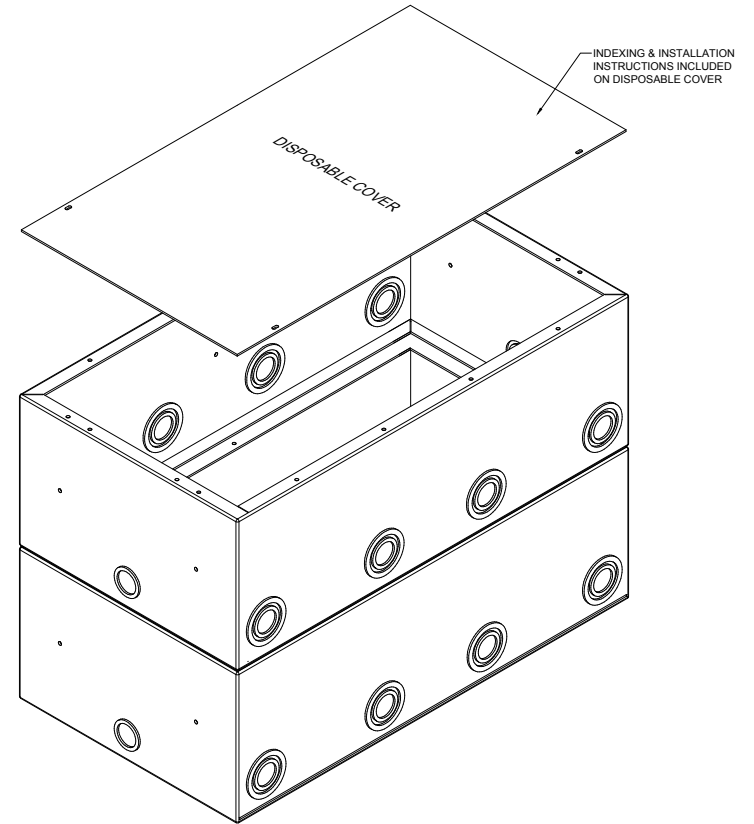
**ACE BACKSTAGE CO**  
Stage Pocket Systems **Connectivity**  
www.acebackstage.com



1/2", 3/4", 1", AND 1-1/4" COMBINATION  
KNOCKOUTS (8) PLACES TYPICAL ON  
OPPOSING SIDES



1/2" AND 3/4" COMBINATION  
KNOCKOUTS (2) PLACES TYPICAL ON  
OPPOSING SIDES



REVISION: 11/2019

FINISH :

- Electro Deposited Clear Zinc  
ASTM Certified

COMPATIBLE POCKETS:

Any Double Wide Size Stage Pocket:  
124/224/324

DESCRIPTION:

Rough In Box for use with Double Wide Size Stage Pockets.  
Provides 7.5" of junction clearance underneath the installed  
Pocket. Made from 14ga CRS.

REV  
**1**  
SHEET  
1 OF 1

DOUBLE WIDE SIZE  
12" DEEP BACK BOX

104DDBBXW



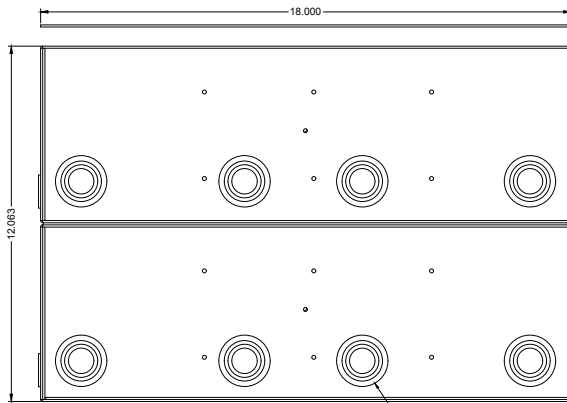
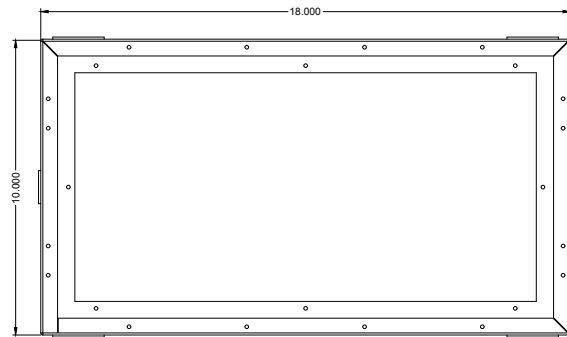
MATES WITH  
VERTICAL SLANT  
STYLE POCKET



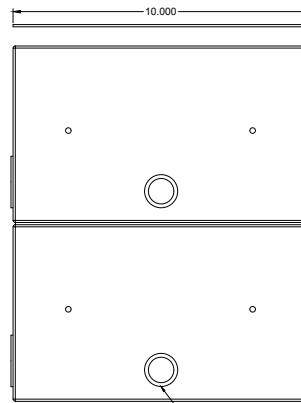
PROUDLY MADE  
IN THE U.S.A.



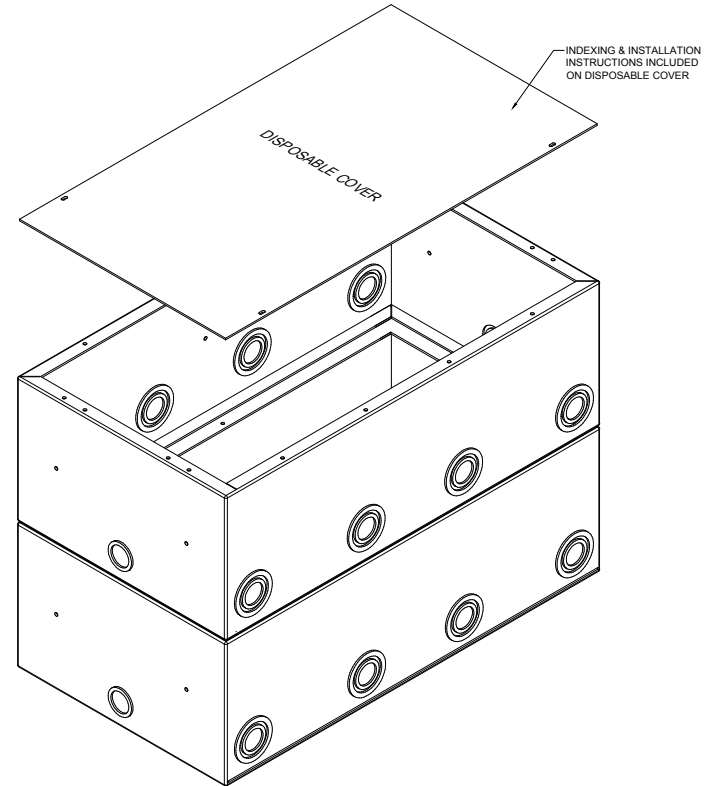
**ACE BACKSTAGE CO**  
Stage Pocket Systems **Connectivity**  
www.acebackstage.com



1/2", 3/4", 1", AND 1-1/4" COMBINATION  
KNOCKOUTS (8) PLACES TYPICAL ON  
OPPOSING SIDES



1/2" AND 3/4" COMBINATION  
KNOCKOUTS (2) PLACES TYPICAL ON  
OPPOSING SIDES



REVISION: 11/2019

FINISH :

- ASTM Certified Electro Deposited Clear Zinc  
- 1/16" Thick Polyurethane Jacket for  
moisture seal

COMPATIBLE POCKETS:

Any Double Wide Size Stage Pocket:  
124/224/324

DESCRIPTION:

Polyurethane encapsulated Rough In Box for use with Double Wide Size Stage Pockets. Provides extra protection from incursion of moisture and water by sealing seams, knock-outs, and holes. Provides 7.5" of junction clearance underneath the installed Pocket. Made from 14ga CRS.

REV

1

SHEET

1 OF 1

DOUBLE WIDE SIZE BACK BOX  
WITH ISOLATING DIVIDER

ISO104DDBBX



MATES WITH  
VERTICAL SLANT  
STYLE POCKET



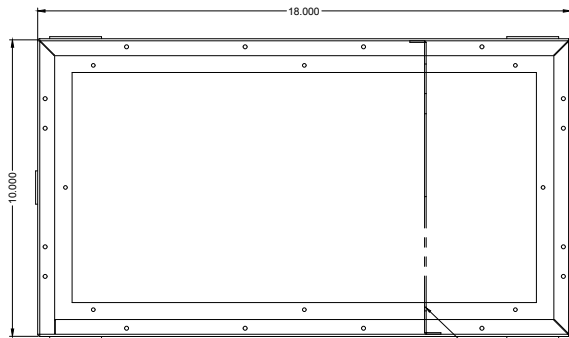
As part of the Double Wide Stage Pocket System



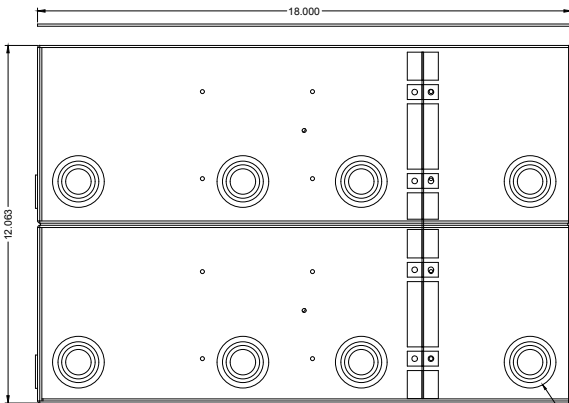
PROUDLY MADE  
IN THE U.S.A.



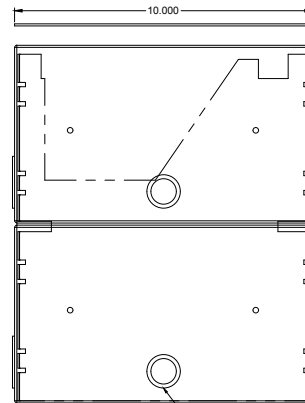
**ACE BACKSTAGE CO**  
Stage Pocket Systems **Connectivity**  
www.acebackstage.com



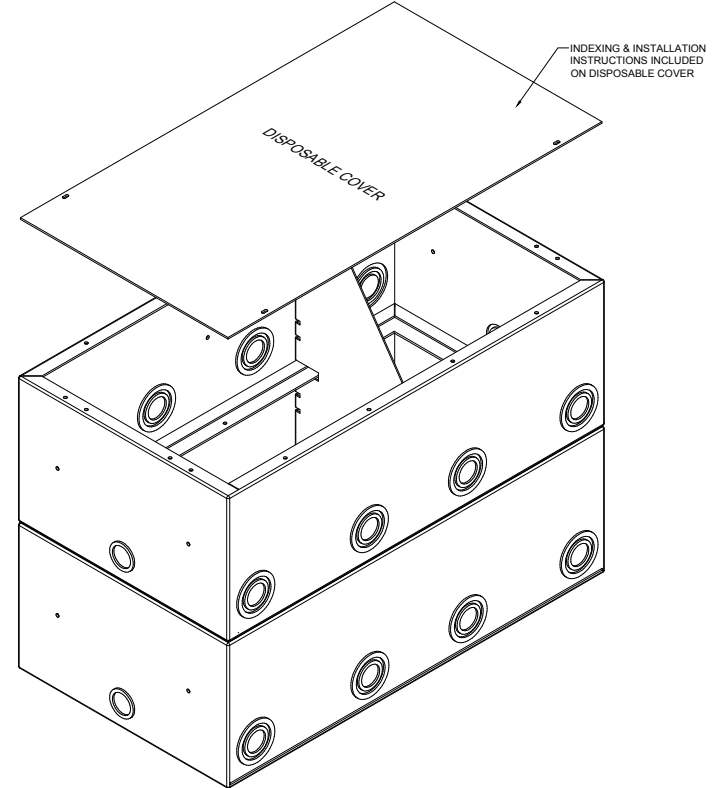
A/C ISOLATING DIVIDER  
INSTALLED IN 1 OF 3 POSITIONS.  
16ga GALVANNEALED STEEL



1/2", 3/4", 1", AND 1-1/4" COMBINATION  
KNOCKOUTS (8) PLACES TYPICAL ON  
OPPOSING SIDES



1/2" AND 3/4" COMBINATION  
KNOCKOUTS (2) PLACES TYPICAL ON  
OPPOSING SIDES



INDEXING & INSTALLATION  
INSTRUCTIONS INCLUDED  
ON DISPOSABLE COVER

REVISION: 11/2019

FINISH :

- Electro Deposited Clear Zinc  
ASTM Certified

COMPATIBLE POCKETS:

Any Double Wide Size Stage Pocket:  
124/224/324

DESCRIPTION:

Rough in Box with Isolation Bracket for use when installing high and low voltage in the same Double Wide Size Stage Pocket. Provides 7.5" of junction clearance underneath the installed Pocket. Made from 14ga CRS.

REV  
1  
SHEET  
1 OF 1

DOUBLE WIDE SIZE  
BACK BOX WITH  
ISOLATING DIVIDER

ISO104DDBBXW



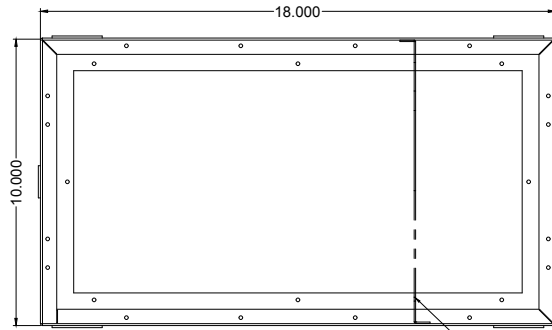
MATES WITH  
VERTICAL SLANT  
STYLE POCKET



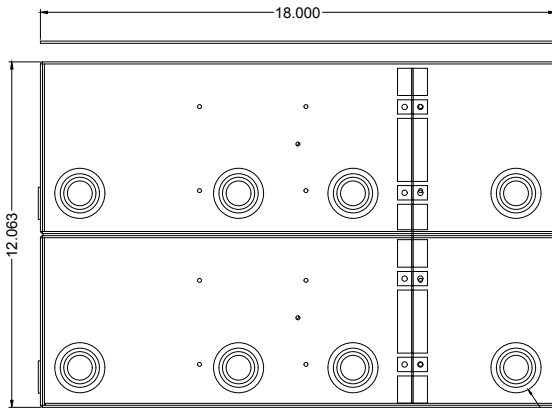
PROUDLY MADE  
IN THE U.S.A.



**ACE BACKSTAGE CO**  
Stage Pocket Systems **Connectivity**  
www.acebackstage.com

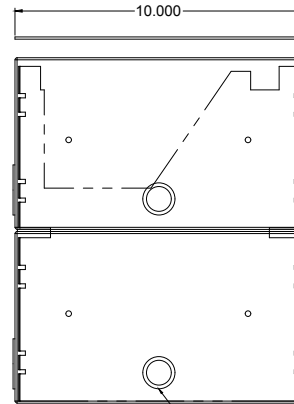
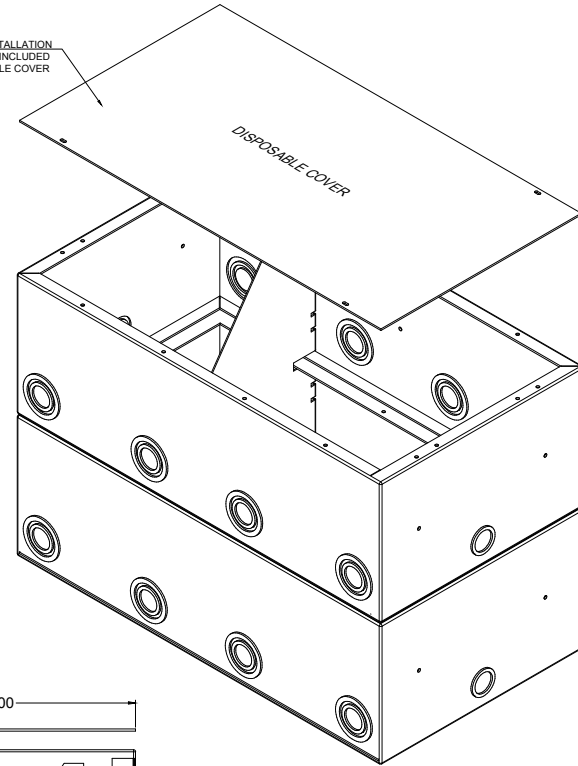


A/C ISOLATING DIVIDER  
INSTALLED IN 1 OF 3 POSITIONS.  
16ga GALVANNEALED STEEL



1/2", 3/4", 1", AND 1-1/4" COMBINATION  
KNOCKOUTS (8) PLACES TYPICAL ON  
OPPOSING SIDES

INDEXING & INSTALLATION  
INSTRUCTIONS INCLUDED  
ON DISPOSABLE COVER



1/2" AND 3/4" COMBINATION  
KNOCKOUTS (2) PLACES TYPICAL ON  
OPPOSING SIDES

REVISION: 11/2019

FINISH :

- ASTM Certified Electro Deposited Clear Zinc
- 1/16" Thick Polyurethane Jacket for moisture seal

COMPATIBLE POCKETS:

Any Double Wide Size Stage Pocket:  
124/224/324

DESCRIPTION:

Polyurethane encapsulated Rough in Box with Isolation Bracket for use when installing high and low voltage in the same Double Wide Size Stage Pocket. Provides extra protection from incursion of moisture and water by sealing seams, knock-outs, and holes. Provides 7.5" of junction clearance underneath the installed Pocket. Made from 14ga CRS.

REV  
1

SHEET  
1 OF 1