

# HALF SIZE BACK BOX

## 103BBX



MATES WITH VERTICAL SLANT STYLE POCKET



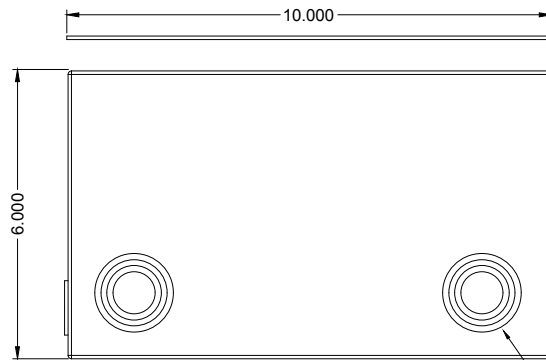
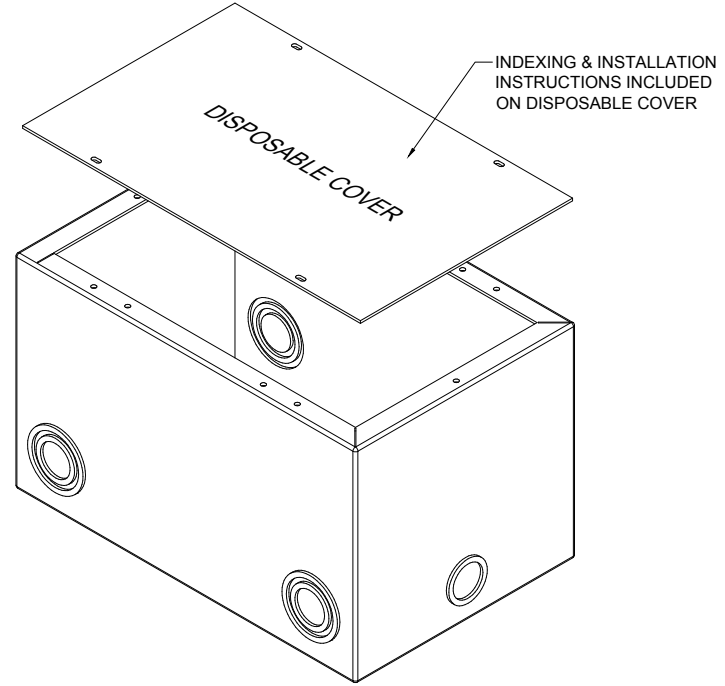
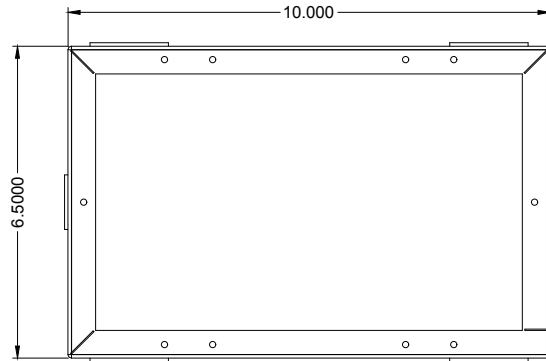
As part of the Half Stage Pocket System



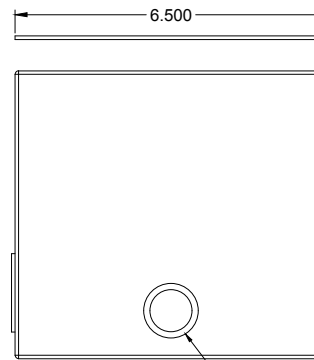
PROUDLY MADE IN THE U.S.A.



**ACE BACKSTAGE CO**  
Stage Pocket Systems *Connectivity*  
www.acebackstage.com



1/2", 3/4", 1", AND 1-1/4" COMBINATION KNOCKOUTS (2) PLACES TYPICAL ON OPPOSING SIDES



1/2" AND 3/4" COMBINATION KNOCKOUTS (1) PLACE TYPICAL ON OPPOSING SIDES

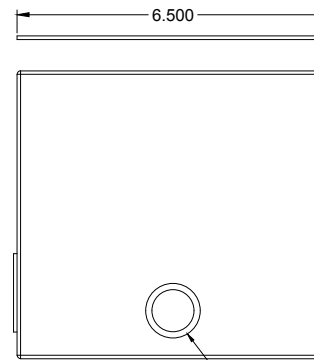
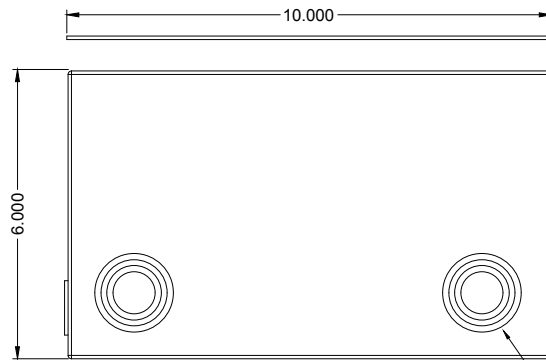
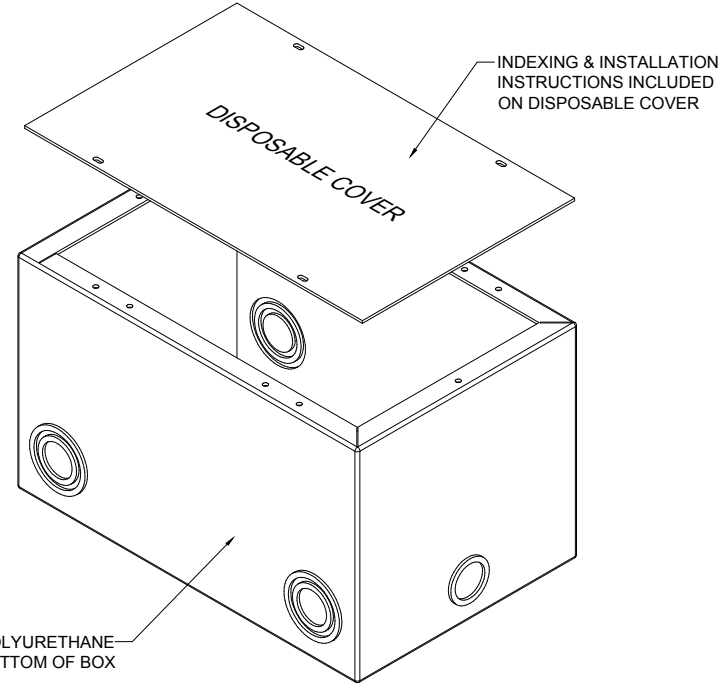
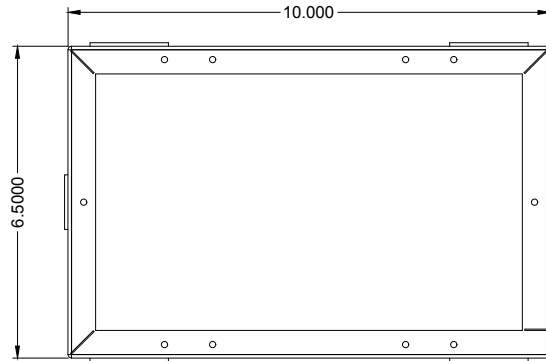
REVISION: 11/2019	FINISH :	COMPATIBLE POCKETS:	DESCRIPTION:	REV 1
ALL DIMENSIONS ARE FOR REFERENCE ONLY. ALL DIMENSIONS ARE IN INCHES	- Electro Deposited Clear Zinc ASTM Certified	Any Half Size Stage Pocket: 123/223/323	Rough in Box for use when installing Half Size Stage Pocket. Made from 14ga CRS.	SHEET 1 OF 1

# HALF SIZE BACK BOX

## 103BBXW

MATES WITH VERTICAL SLANT STYLE POCKET

PROUDLY MADE IN THE U.S.A.



SEALED WITH THERMOPLASTIC POLYURETHANE APPLIED TO THE EXTERIOR SIDES AND BOTTOM OF BOX

1/2", 3/4", 1", AND 1-1/4" COMBINATION KNOCKOUTS (2) PLACES TYPICAL ON OPPOSING SIDES

1/2" AND 3/4" COMBINATION KNOCKOUTS (1) PLACE TYPICAL ON OPPOSING SIDES

REVISION: 11/2019	FINISH :	COMPATIBLE POCKETS:	DESCRIPTION:	REV 1
ALL DIMENSIONS ARE FOR REFERENCE ONLY. ALL DIMENSIONS ARE IN INCHES	- ASTM Certified Electro Deposited Clear Zinc - 1/16" Thick Polyurethane Jacket for moisture seal	Any Half Size Stage Pocket: 123/223/323	Polyurethane encapsulated Rough In Box for use with Half Size Stage Pockets. Provides extra protection from incursion of moisture and water by sealing seams, knock-outs, and holes. Made from 14ga CRS.	SHEET 1 OF 1