

FULL SIZE BACK BOX

102BBX



MATES WITH
VERTICAL SLANT
STYLE POCKET



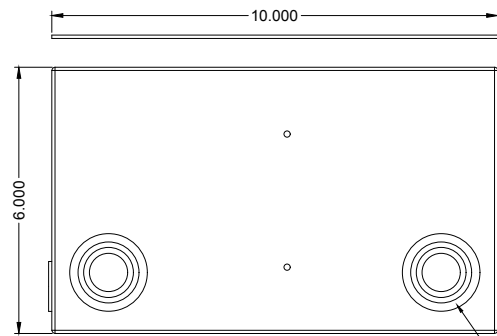
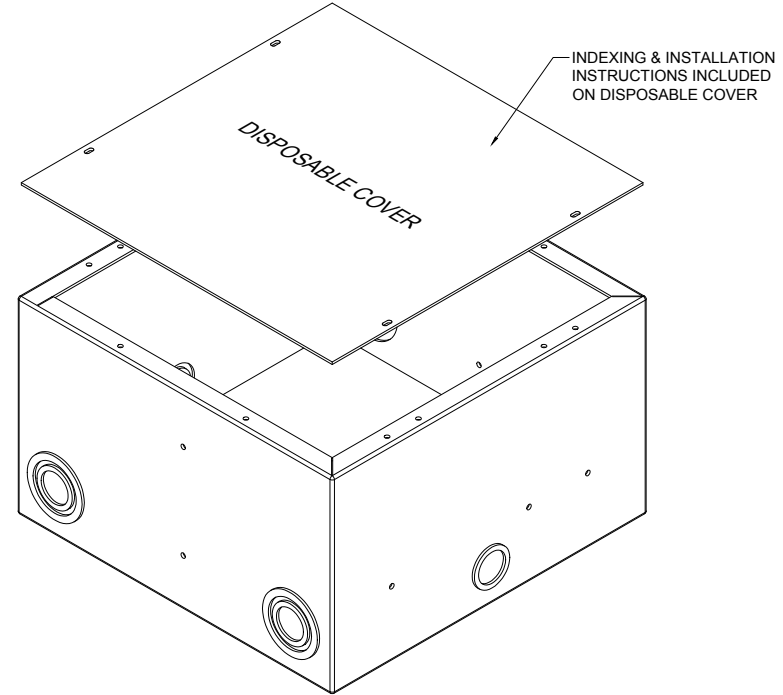
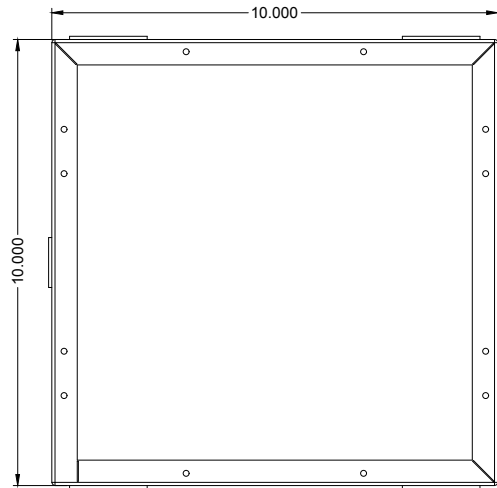
As part of the Full Stage Pocket System



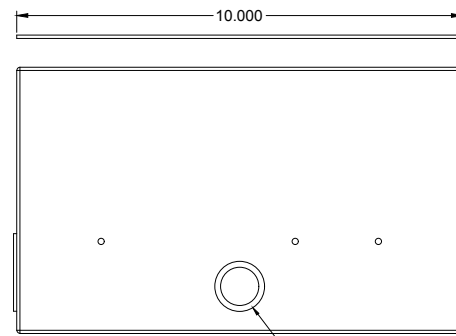
PROUDLY MADE
IN THE U.S.A.



ACE BACKSTAGE CO
Stage Pocket Systems **Connectivity**
www.acebackstage.com



1/2", 3/4", 1", AND 1-1/4" COMBINATION
KNOCKOUTS (2) PLACES TYPICAL ON
OPPOSING SIDES



1/2" AND 3/4" COMBINATION
KNOCKOUTS (1) PLACE TYPICAL ON
OPPOSING SIDES

REVISION: 11/2019

FINISH :

- Electro Deposited Clear Zinc
ASTM Certified

COMPATIBLE POCKETS:

Any Full Size Stage Pocket: 122/222/322

DESCRIPTION:

Rough in Box for use when installing Full Size Stage
Pocket. Made from 14ga CRS.

REV
1
SHEET
1 OF 1

FULL SIZE BACK BOX

102BBXW



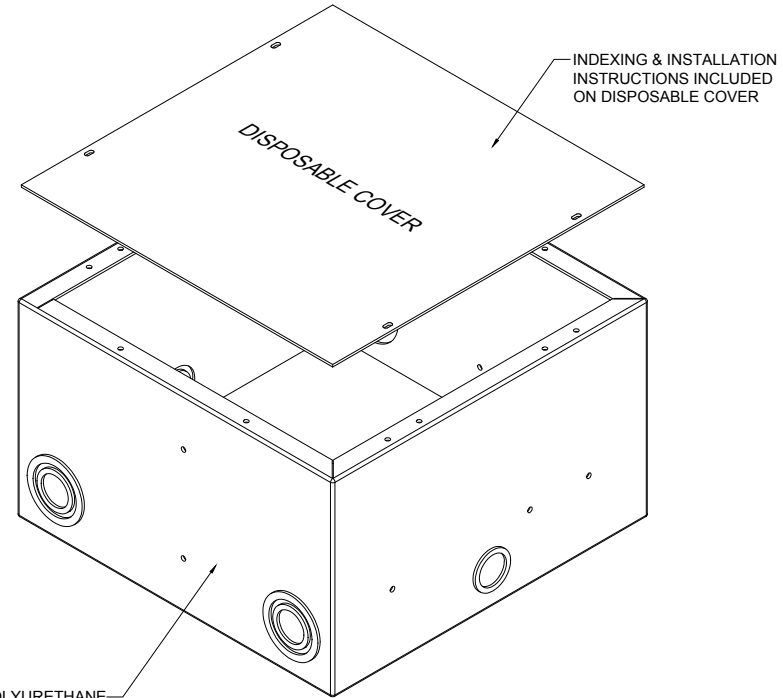
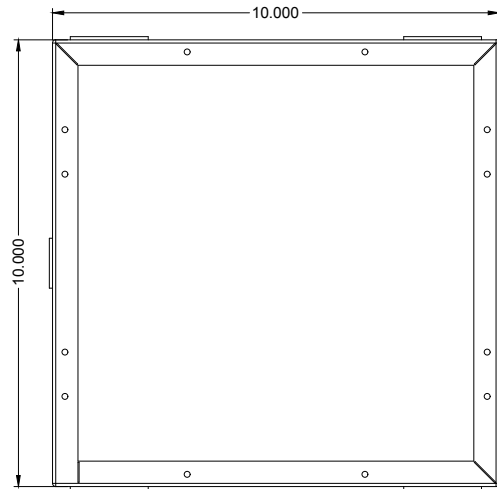
MATES WITH VERTICAL SLANT STYLE POCKET



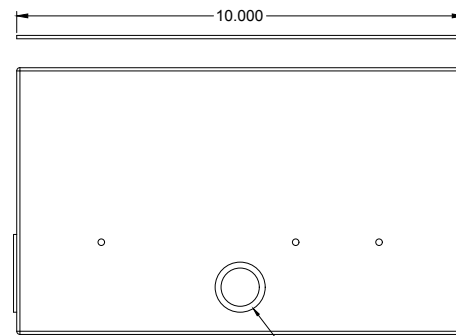
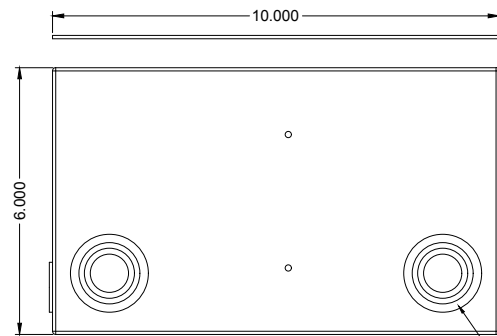
PROUDLY MADE IN THE U.S.A.



ACE BACKSTAGE CO
Stage Pocket Systems **Connectivity**
www.acebackstage.com



SEALED WITH THERMOPLASTIC POLYURETHANE APPLIED TO THE EXTERIOR SIDES AND BOTTOM OF BOX



1/2", 3/4", 1", AND 1-1/4" COMBINATION KNOCKOUTS (2) PLACES TYPICAL ON OPPOSING SIDES

1/2" AND 3/4" COMBINATION KNOCKOUTS (1) PLACE TYPICAL ON OPPOSING SIDES

REVISION: 11/2019	FINISH :	COMPATIBLE POCKETS:	DESCRIPTION:	REV 1
ALL DIMENSIONS ARE FOR REFERENCE ONLY. ALL DIMENSIONS ARE IN INCHES	- ASTM Certified Electro Deposited Clear Zinc - 1/16" Thick Polyurethane Jacket for moisture seal	Any Full Size Stage Pocket: 122/222/322	Polyurethane encapsulated Rough In Box for use with Full Size Stage Pockets. Provides extra protection from incursion of moisture and water by sealing seams, knock-outs, and holes. Made from 14ga CRS.	SHEET 1 OF 1

**FULL SIZE BACK BOX
WITH ISOLATING DIVIDER**

ISO102BBX



MATES WITH
VERTICAL SLANT
STYLE POCKET



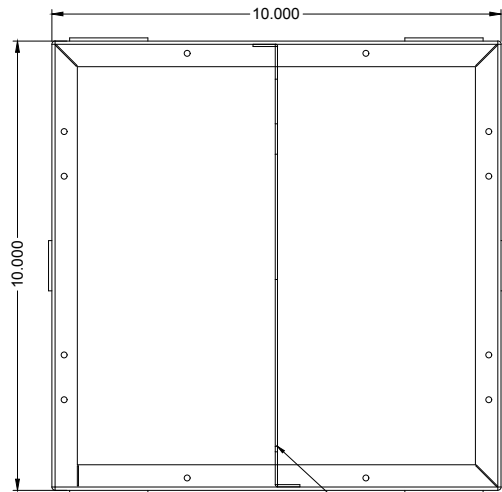
As part of the Full Stage Pocket System



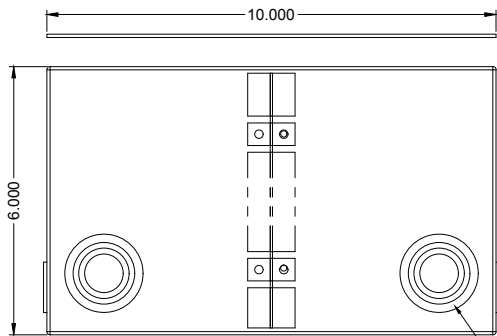
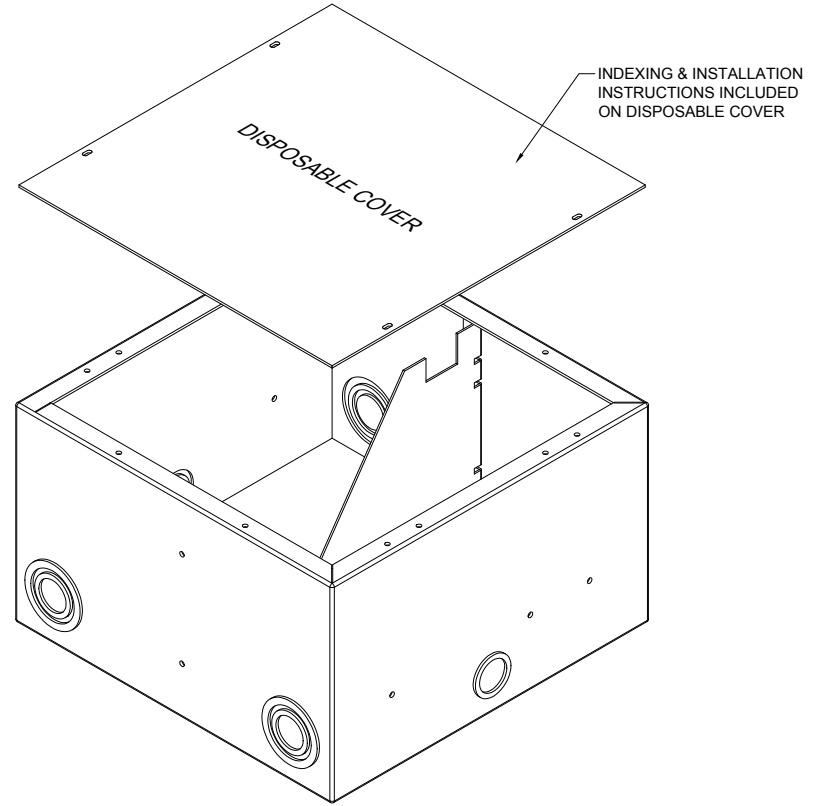
PROUDLY MADE
IN THE U.S.A.



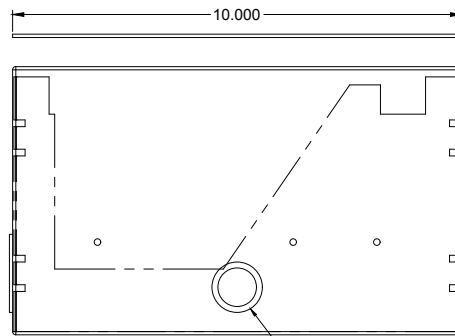
ACE BACKSTAGE CO
Stage Pocket Systems **Connectivity**
www.acebackstage.com



A/C ISOLATING DIVIDER
16ga GALVANNEALED STEEL



1/2", 3/4", 1", AND 1-1/4" COMBINATION
KNOCKOUTS (2) PLACES TYPICAL ON
OPPOSING SIDES



1/2" AND 3/4" COMBINATION
KNOCKOUTS (1) PLACE TYPICAL ON
OPPOSING SIDES

REVISION: 11/2019

FINISH :

- Electro Deposited Clear Zinc
ASTM Certified

COMPATIBLE POCKETS:

Any Full Size Stage Pocket: 122/222/322

DESCRIPTION:

Rough in Box with Isolation Bracket for use when installing
high and low voltage in the same Full Size Stage Pocket.
Made from 14ga CRS.

REV
1
SHEET
1 OF 1

FULL SIZE BACK BOX
WITH ISOLATING DIVIDER

ISO102BBXW



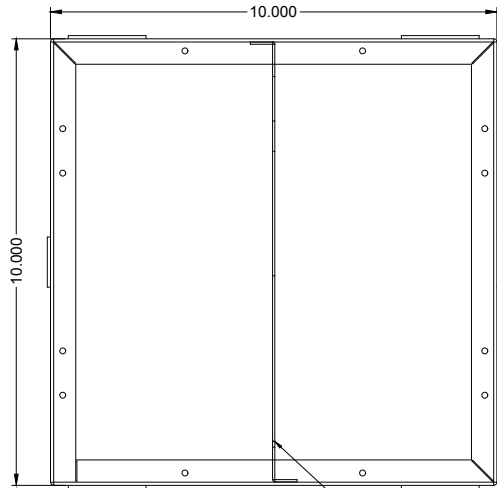
MATES WITH
VERTICAL SLANT
STYLE POCKET



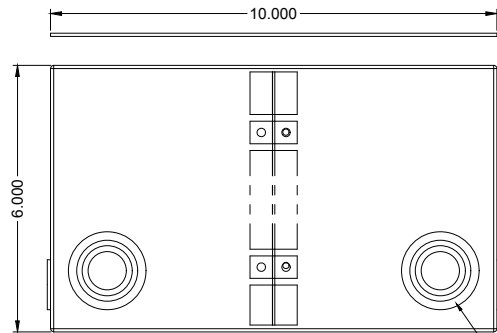
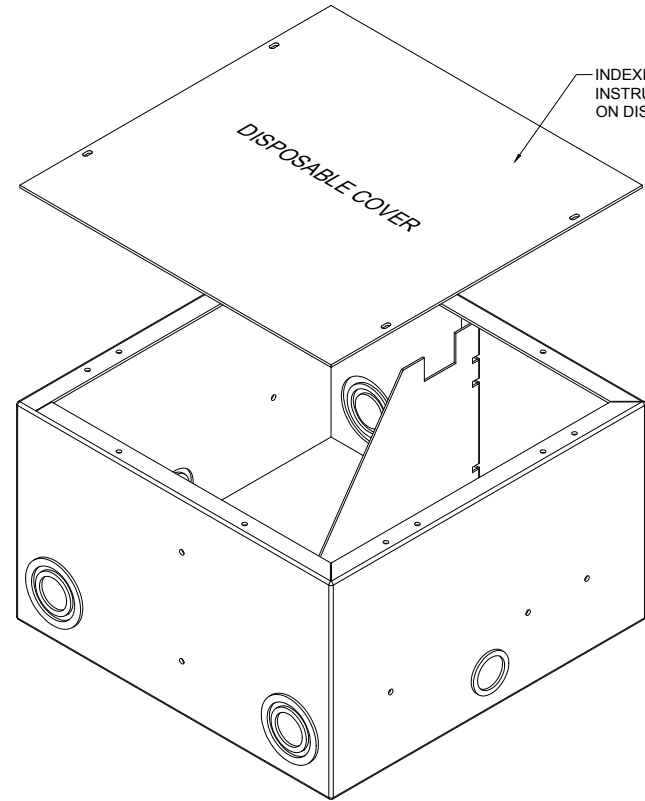
PROUDLY MADE
IN THE U.S.A.



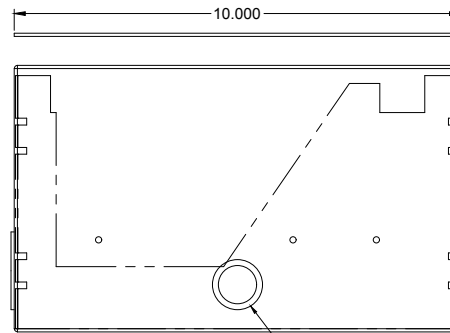
ACE BACKSTAGE CO
Stage Pocket Systems **Connectivity**
www.acebackstage.com



A/C ISOLATING DIVIDER
16ga GALVANNEALED STEEL



1/2", 3/4", 1", AND 1-1/4" COMBINATION
KNOCKOUTS (2) PLACES TYPICAL ON
OPPOSING SIDES



1/2" AND 3/4" COMBINATION
KNOCKOUTS (1) PLACE TYPICAL ON
OPPOSING SIDES

REVISION: 11/2019

FINISH :

- ASTM Certified Electro Deposited Clear Zinc
- 1/16" Thick Polyurethane Jacket for
moisture seal

COMPATIBLE POCKETS:

Any Full Size Stage Pocket: 122/222/322

DESCRIPTION:

Polyurethane encapsulated Rough In Box for use with Full Size Stage Pockets. Provides extra protection from incursion of moisture and water by sealing seams, knock-outs, and holes. Includes Isolation Bracket for use when installing high and low voltage in the same Full Size Stage Pocket. Made from 14ga CRS.

REV
1
SHEET
1 OF 1

FULL SIZE BACK BOX
WITH SUPER POCKET BRACKETS

BRK102BBX



MATES WITH
HORIZONTAL
STYLE POCKET



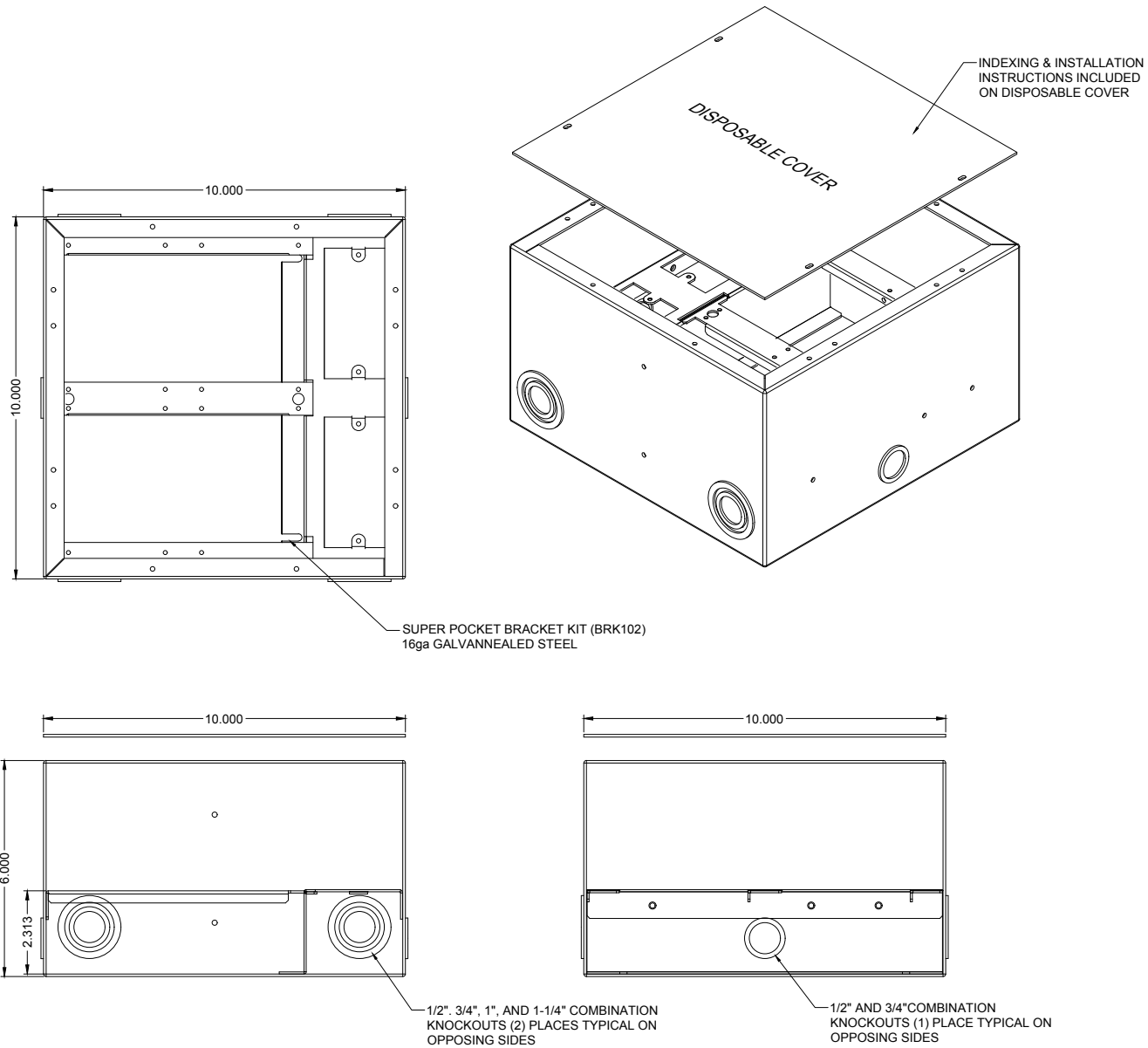
As part of the Super Pocket System



PROUDLY MADE
IN THE U.S.A.



ACE BACKSTAGE CO
Stage Pocket Systems **Connectivity**
www.acebackstage.com



REVISION: 11/2019

FINISH :

COMPATIBLE BEZELS/LIDS:

DESCRIPTION:

REV
1
SHEET
1 OF 1

ALL DIMENSIONS ARE FOR REFERENCE
ONLY. ALL DIMENSIONS ARE IN INCHES

- Electro Deposited Clear Zinc
ASTM Certified

Any Full Size Bezel/Lid:
BZ132/BZ232/BZ332

Rough in Box with Super Pocket Brackets. For use when
installing Super Pockets. Made from 14ga CRS.

FULL SIZE BACK BOX
WITH SUPER POCKET BRACKETS

BRK102BBXW



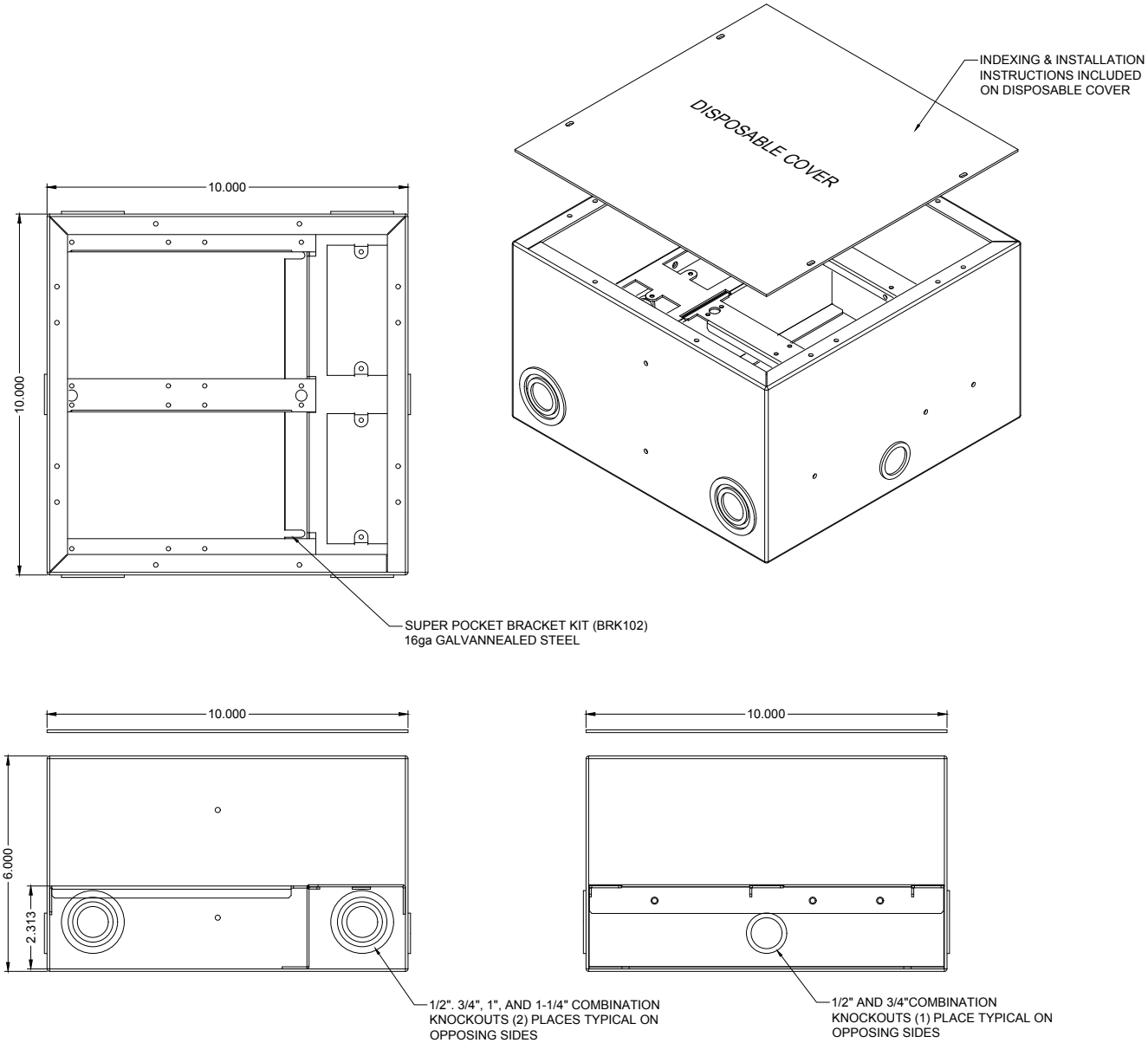
MATES WITH
HORIZONTAL
STYLE POCKET



PROUDLY MADE
IN THE U.S.A.



ACE BACKSTAGE CO
Stage Pocket Systems **Connectivity**
www.acebackstage.com



REVISION: 11/2019

FINISH :

- ASTM Certified Electro Deposited Clear Zinc
- 1/16" Thick Polyurethane Jacket for moisture seal

COMPATIBLE BEZELS/LIDS:

Any Full Size Bezel/Lid:
BZ132/BZ232/BZ332

DESCRIPTION:

Polyurethane encapsulated Rough in Box with Super Pocket Brackets. For use when installing Super Pockets. Provides extra protection from incursion of moisture and water by sealing seams, knock-outs, and holes. Made from 14ga CRS.

REV
1
SHEET
1 OF 1

FULL SIZE 8" DEEP
BACK BOX

1028BBX



MATES WITH
VERTICAL SLANT
STYLE POCKET



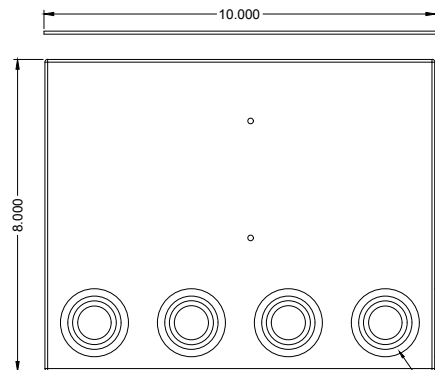
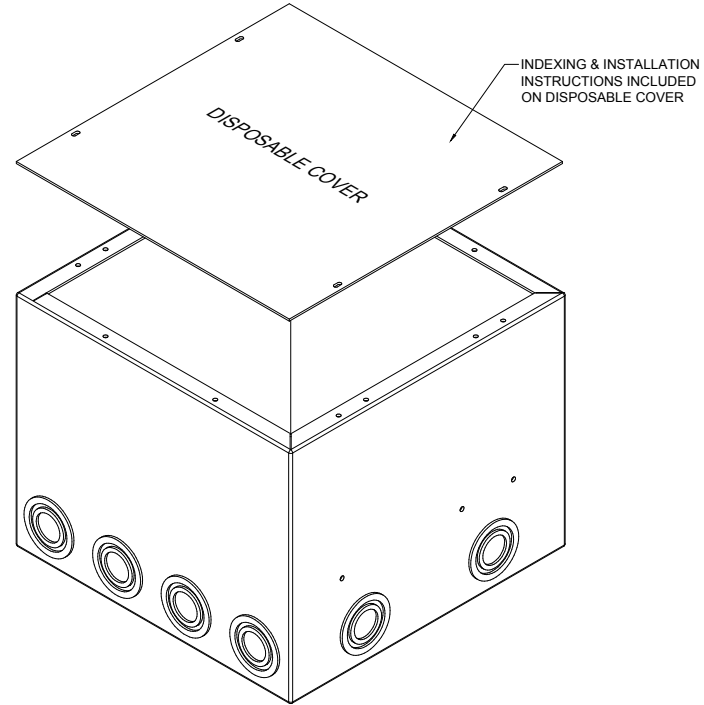
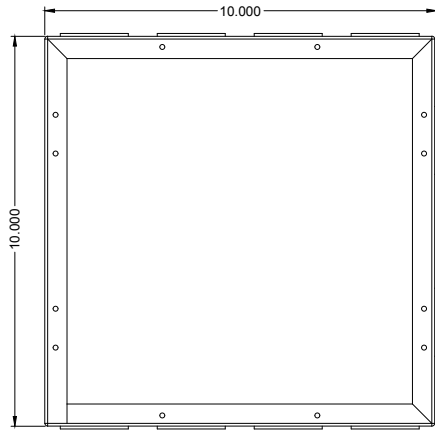
As part of the Full Stage Pocket System



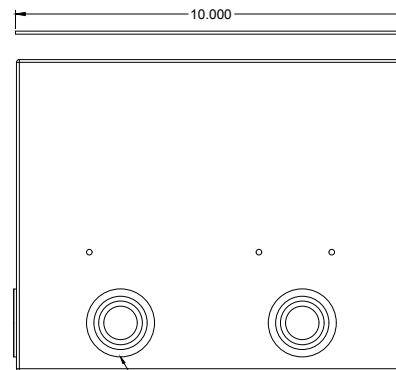
PROUDLY MADE
IN THE U.S.A.



ACE BACKSTAGE CO
Stage Pocket Systems **Connectivity**
www.acebackstage.com



1/2", 3/4", 1", AND 1-1/4" COMBINATION
KNOCKOUTS (4) PLACES TYPICAL ON
OPPOSING SIDES



1/2", 3/4", 1", AND 1-1/4" COMBINATION
KNOCKOUTS (2) PLACES TYPICAL ON
ONE SIDE ONLY

REVISION: 11/2019	FINISH : - Electro Deposited Clear Zinc ASTM Certified	COMPATIBLE POCKETS: Any Full Size Stage Pocket: 122/222/322	DESCRIPTION: Rough In Box for use with Full Size Stage Pockets. Provides 3.5" of junction clearance underneath the installed Pocket. Made from 14ga CRS.	REV 1 SHEET 1 OF 1
-------------------	--	--	---	-----------------------------

FULL SIZE 8" DEEP
BACK BOX

1028BBXW



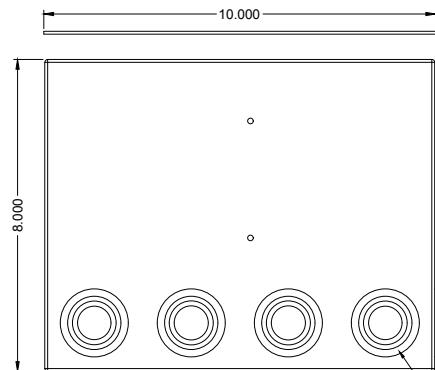
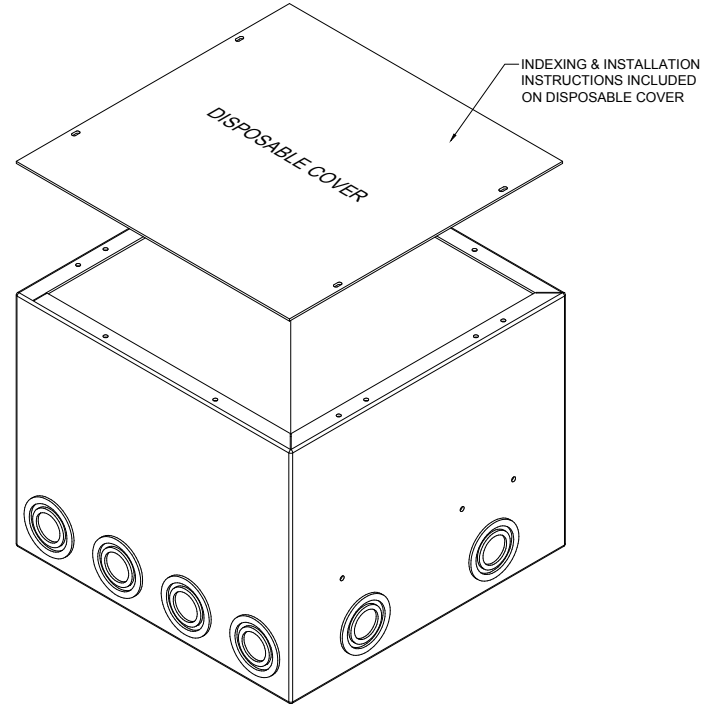
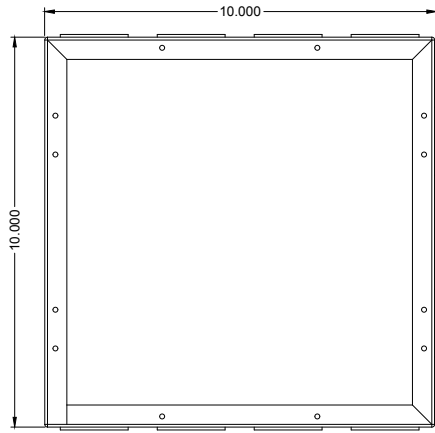
MATES WITH
VERTICAL SLANT
STYLE POCKET



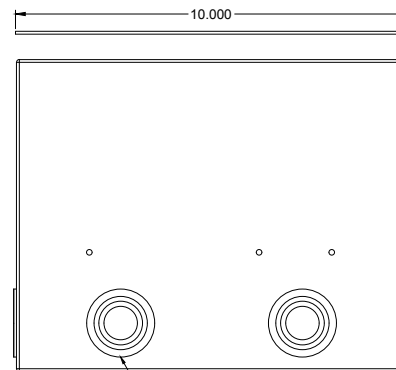
PROUDLY MADE
IN THE U.S.A.



ACE BACKSTAGE CO
Stage Pocket Systems **Connectivity**
www.acebackstage.com



1/2", 3/4", 1", AND 1-1/4" COMBINATION
KNOCKOUTS (4) PLACES TYPICAL ON
OPPOSING SIDES



1/2", 3/4", 1", AND 1-1/4" COMBINATION
KNOCKOUTS (2) PLACES TYPICAL ON
ONE SIDE ONLY

REVISION: 11/2019

FINISH :

- ASTM Certified Electro Deposited Clear Zinc
- 1/16" Thick Polyurethane Jacket for
moisture seal

COMPATIBLE POCKETS:

Any Full Size Stage Pocket: 122/222/322

DESCRIPTION:

Polyurethane encapsulated Rough In Box for use with Full Size Stage Pockets. Provides extra protection from incursion of moisture and water by sealing seams, knock-outs, and holes. Provides 3.5" of junction clearance underneath the installed Pocket. Made from 14ga CRS.

REV

1

SHEET

1 OF 1

FULL SIZE BACK BOX WITH ISOLATING DIVIDER

ISO1028BBX



MATES WITH VERTICAL SLANT STYLE POCKET



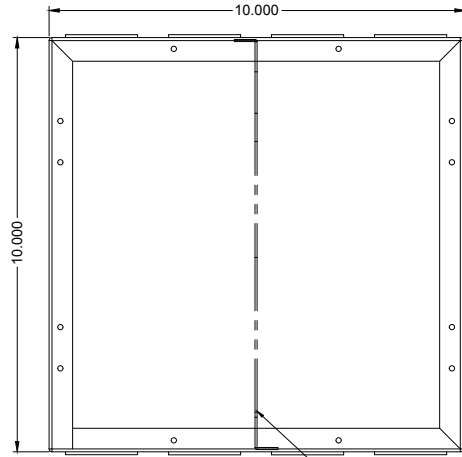
As part of the Full Stage Pocket System



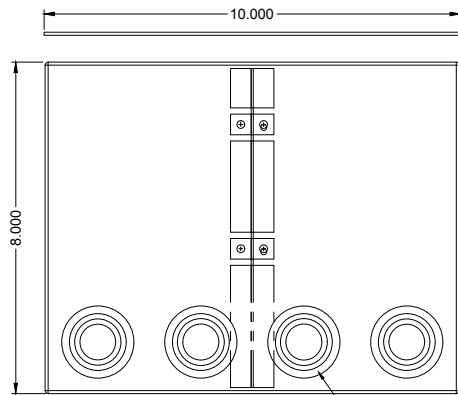
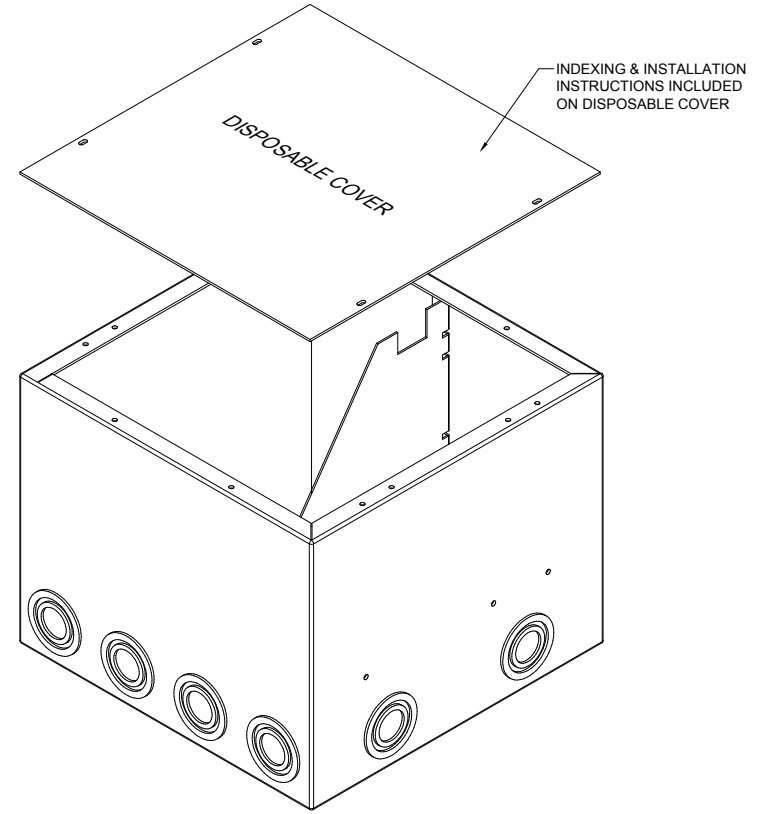
PROUDLY MADE IN THE U.S.A.



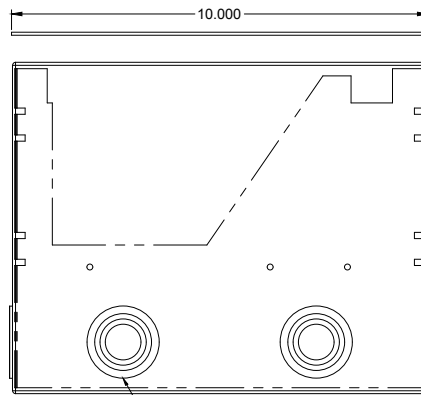
ACE BACKSTAGE CO
Stage Pocket Systems **Connectivity**
www.acebackstage.com



A/C ISOLATING DIVIDER
16ga GALVANNEALED STEEL



1/2", 3/4", 1", AND 1-1/4" COMBINATION KNOCKOUTS (4) PLACES TYPICAL ON OPPOSING SIDES



1/2", 3/4", 1", AND 1-1/4" COMBINATION KNOCKOUTS (2) PLACES TYPICAL ON ONE SIDE ONLY

REVISION: 11/2019

FINISH :

- Electro Deposited Clear Zinc
ASTM Certified

COMPATIBLE POCKETS:

Any Full Size Stage Pocket: 122/222/322

DESCRIPTION:

Rough in Box with Isolation Bracket for use when installing high and low voltage in the same Full Size Stage Pocket. Provides 3.5" of junction clearance underneath the installed Pocket. Made from 14ga CRS.

REV
1
SHEET
1 OF 1

**FULL SIZE BACK BOX
WITH ISOLATING DIVIDER**

ISO1028BBXW



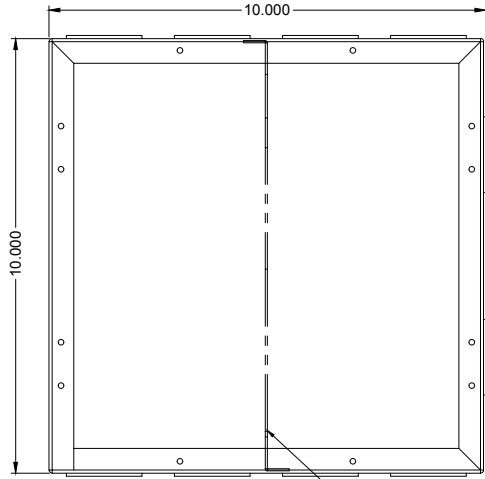
MATES WITH
VERTICAL SLANT
STYLE POCKET



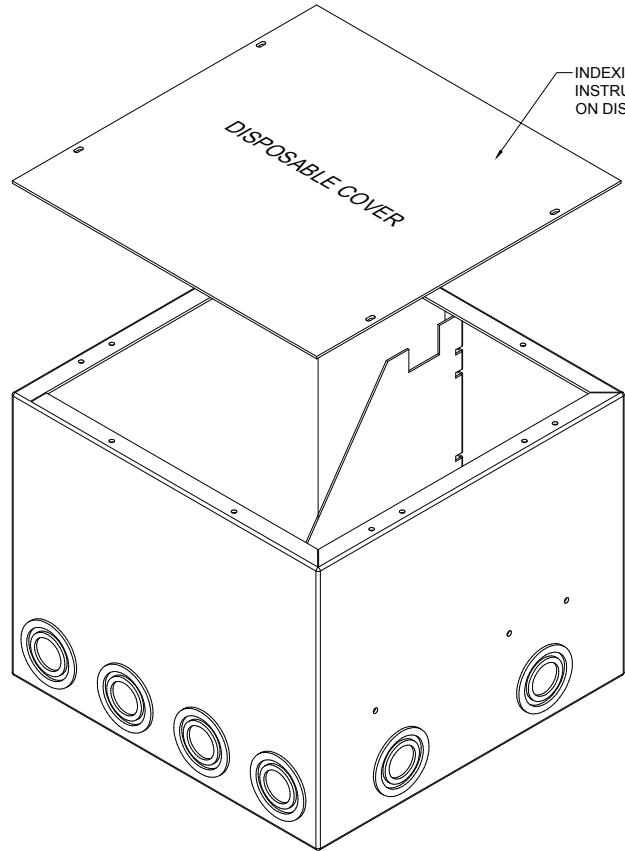
PROUDLY MADE
IN THE U.S.A.



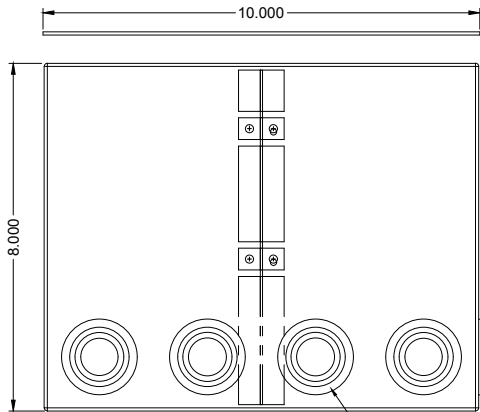
ACE BACKSTAGE CO
Stage Pocket Systems **Connectivity**
www.acebackstage.com



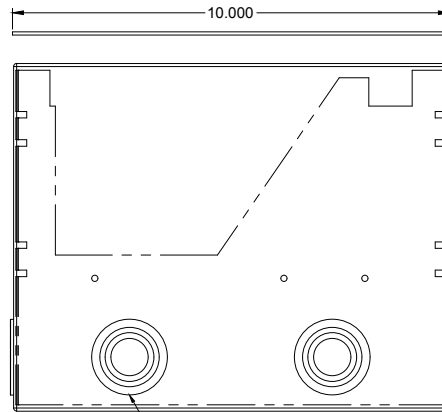
A/C ISOLATING DIVIDER
16ga GALVANNEALED STEEL



INDEXING & INSTALLATION
INSTRUCTIONS INCLUDED
ON DISPOSABLE COVER



1/2", 3/4", 1", AND 1-1/4" COMBINATION
KNOCKOUTS (4) PLACES TYPICAL ON
OPPOSING SIDES



1/2", 3/4", 1", AND 1-1/4" COMBINATION
KNOCKOUTS (2) PLACES TYPICAL ON
ONE SIDE ONLY

REVISION: 11/2019

FINISH :

COMPATIBLE POCKETS:

DESCRIPTION:

ALL DIMENSIONS ARE FOR REFERENCE
ONLY. ALL DIMENSIONS ARE IN INCHES

- ASTM Certified Electro Deposited Clear Zinc
- 1/16" Thick Polyurethane Jacket for
moisture seal

Any Full Size Stage Pocket: 122/222/322

Polyurethane encapsulated Rough in Box with Isolation Bracket for use
when installing high and low voltage in the same Full Size Stage Pocket.
Provides extra protection from incursion of moisture and water by sealing
seams, knock-outs, and holes. Provides 3.5" of junction clearance
underneath the installed Pocket. Made from 14ga CRS.

REV
1

SHEET
1 OF 1

FULL SIZE BACK BOX
WITH SUPER POCKET BRACKETS

BRK1028BBX



MATES WITH
HORIZONTAL
STYLE POCKET



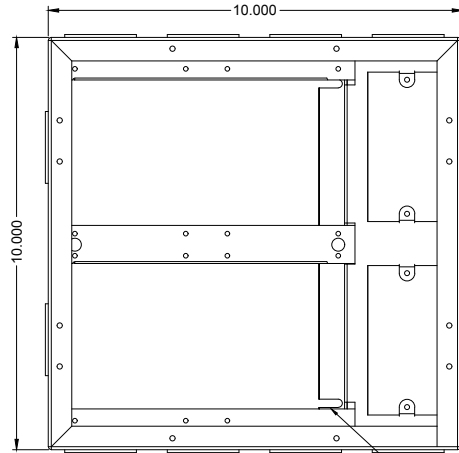
As part of the Super Pocket System



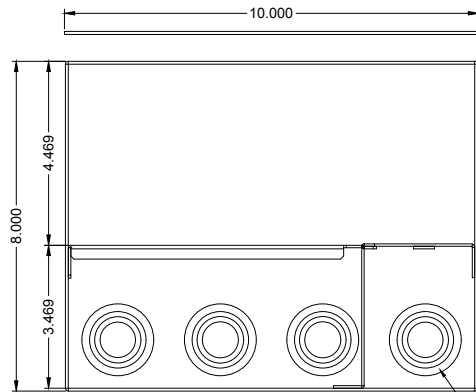
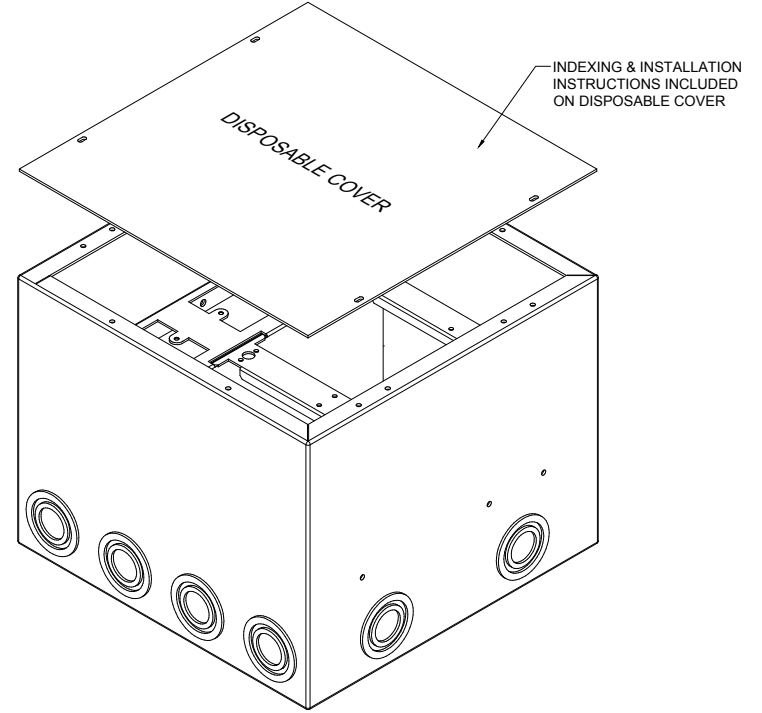
PROUDLY MADE
IN THE U.S.A.



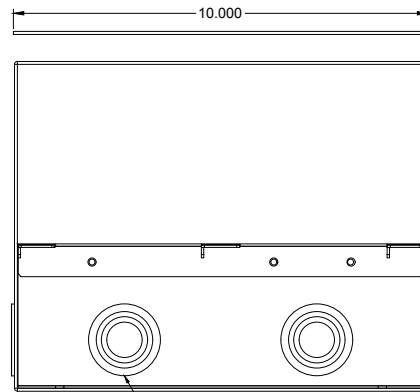
ACE BACKSTAGE CO
Stage Pocket Systems **Connectivity**
www.acebackstage.com



8" DEEP SUPER POCKET BRACKET KIT (BRK1028)
16ga GALVANNEALED STEEL



1/2", 3/4", 1", AND 1-1/4" COMBINATION
KNOCKOUTS (4) PLACES TYPICAL ON
OPPOSING SIDES



1/2", 3/4", 1", AND 1-1/4" COMBINATION
KNOCKOUTS (2) PLACES TYPICAL ON
ONE SIDE ONLY

REVISION: 11/2019

FINISH :

- Electro Deposited Clear Zinc
ASTM Certified

COMPATIBLE BEZELS/LIDS:

Any Full Size Bezel/Lid:
BZ132/BZ232/BZ332

DESCRIPTION:

Rough in Box with Super Pocket Brackets. For use when installing Super Pockets. Extra depth provides addition space behind and in front of panels. Made from 14ga CRS.

REV

1

SHEET

1 OF 1

**FULL SIZE 12" DEEP
BACK BOX**

102DDBBX



MATES WITH
VERTICAL SLANT
STYLE POCKET



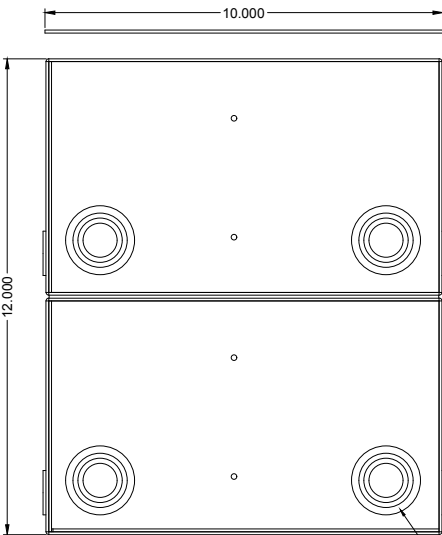
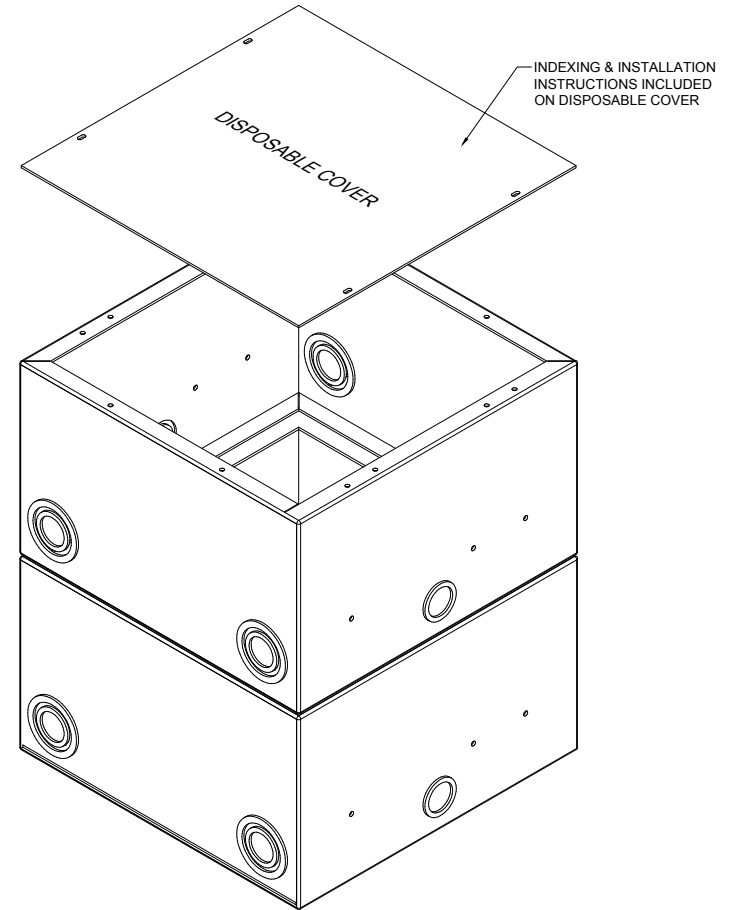
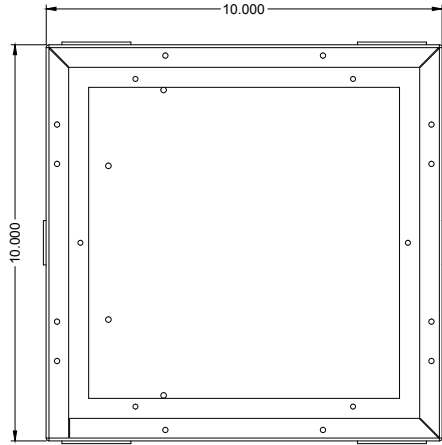
As part of the Full Stage Pocket System



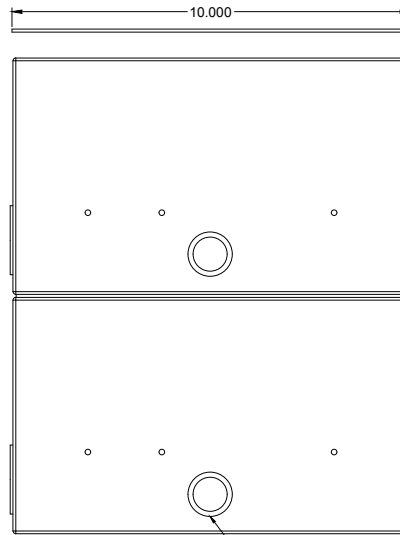
PROUDLY MADE
IN THE U.S.A.



ACE BACKSTAGE CO
Stage Pocket Systems **Connectivity**
www.acebackstage.com



1/2", 3/4", 1", AND 1-1/4" COMBINATION
KNOCKOUTS (4) PLACES TYPICAL ON
OPPOSING SIDES



1/2" AND 3/4" COMBINATION
KNOCKOUTS (2) PLACES TYPICAL ON
OPPOSING SIDES

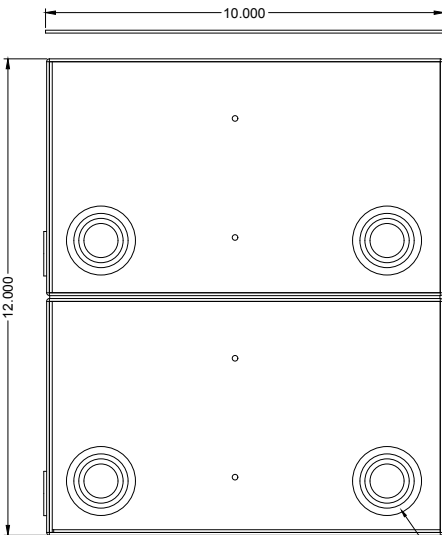
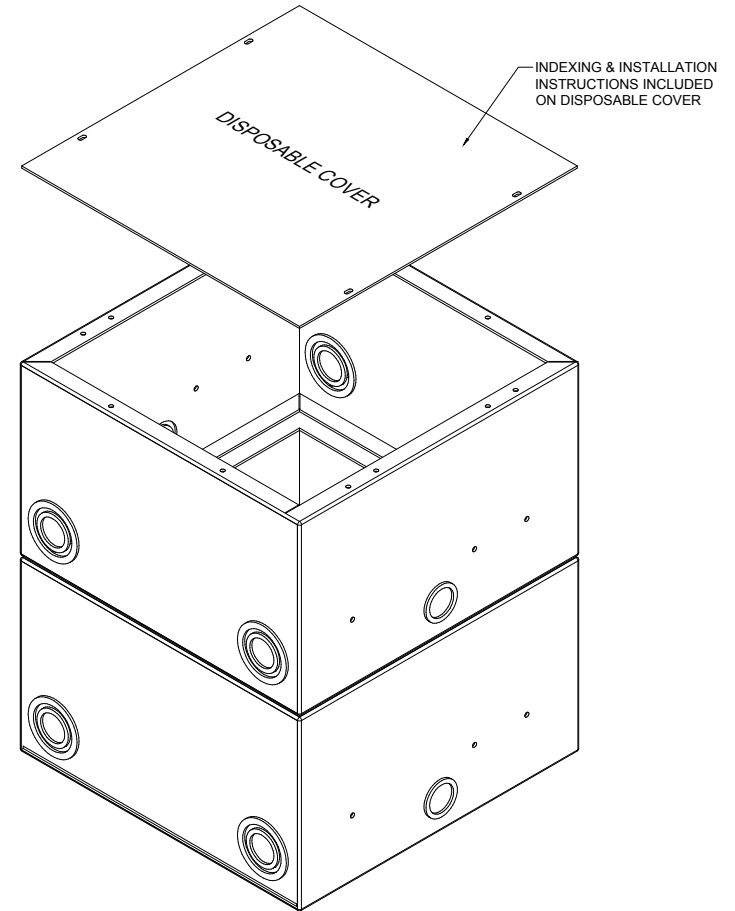
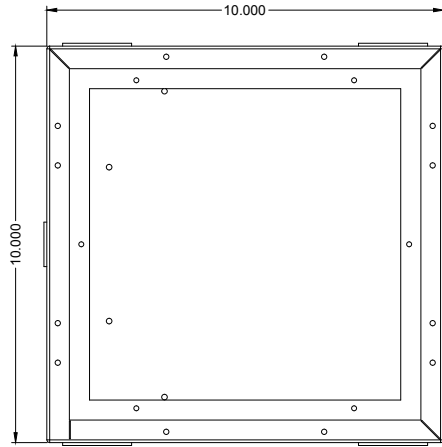
REVISION: 11/2019	FINISH : - Electro Deposited Clear Zinc ASTM Certified	COMPATIBLE POCKETS: Any Full Size Stage Pocket: 122/222/322	DESCRIPTION: Rough In Box for use with Full Size Stage Pockets. Provides 7.5" of junction clearance underneath the installed Pocket. Made from 14ga CRS.	REV 1 SHEET 1 OF 1
-------------------	--	--	---	------------------------------------

**FULL SIZE 12" DEEP
BACK BOX**

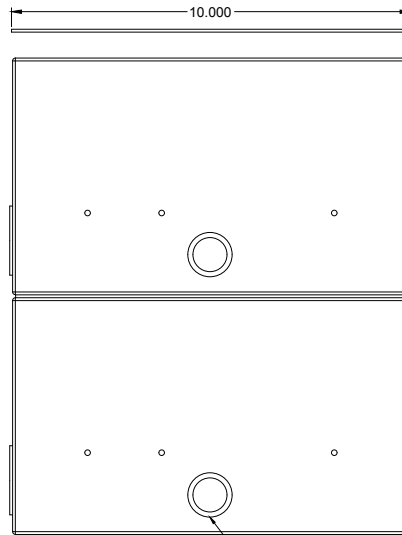
102DDBBXW

MATES WITH
VERTICAL SLANT
STYLE POCKET

PROUDLY MADE
IN THE U.S.A.



1/2", 3/4", 1", AND 1-1/4" COMBINATION
KNOCKOUTS (4) PLACES TYPICAL ON
OPPOSING SIDES



1/2" AND 3/4" COMBINATION
KNOCKOUTS (2) PLACES TYPICAL ON
OPPOSING SIDES

REVISION: 11/2019

FINISH :

- ASTM Certified Electro Deposited Clear Zinc
- 1/16" Thick Polyurethane Jacket for
moisture seal

COMPATIBLE POCKETS:

Any Full Size Stage Pocket: 122/222/322

DESCRIPTION:

Polyurethane encapsulated Rough In Box for use with Full Size Stage Pockets. Provides extra protection from incursion of moisture and water by sealing seams, knock-outs, and holes. Provides 7.5" of junction clearance underneath the installed Pocket. Made from 14ga CRS.

REV
1
SHEET
1 OF 1

FULL SIZE BACK BOX WITH ISOLATING DIVIDER

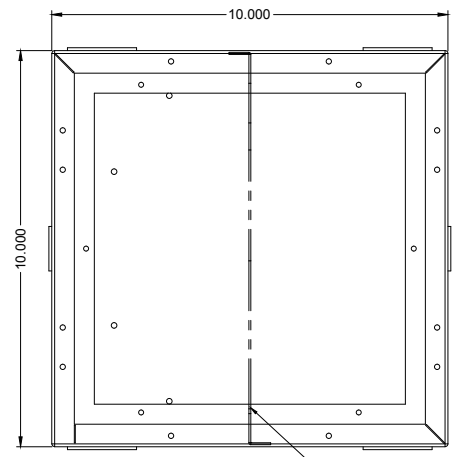
ISO102DDBBX

MATES WITH VERTICAL SLANT STYLE POCKET

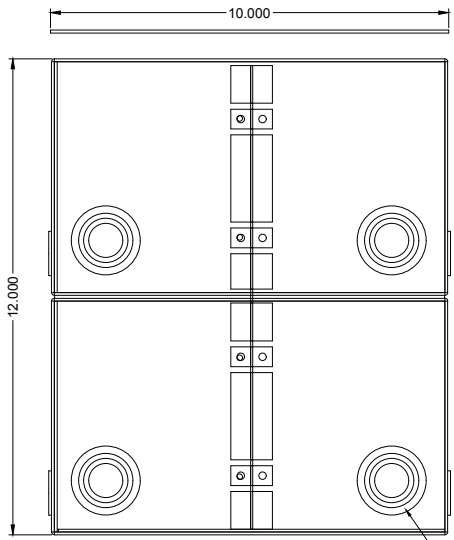
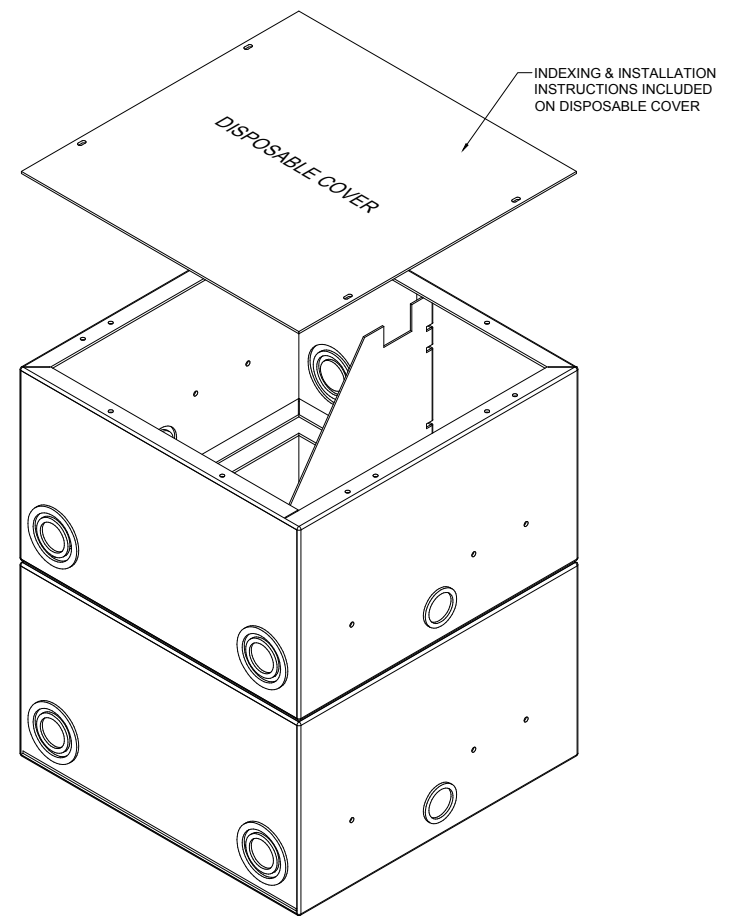


As part of the Full Stage Pocket System

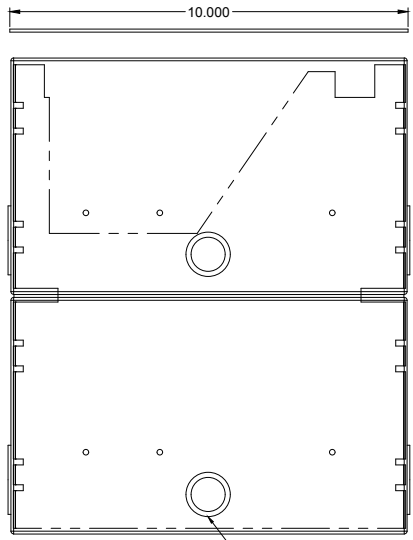
PROUDLY MADE IN THE U.S.A.



A/C ISOLATING DIVIDER
16ga GALVANNEALED STEEL



1/2", 3/4", 1", AND 1-1/4" COMBINATION KNOCKOUTS (4) PLACES TYPICAL ON OPPOSING SIDES



1/2" AND 3/4" COMBINATION KNOCKOUTS (2) PLACES TYPICAL ON OPPOSING SIDES

REVISION: 11/2019	FINISH : - Electro Deposited Clear Zinc ASTM Certified	COMPATIBLE POCKETS: Any Full Size Stage Pocket: 122/222/322	DESCRIPTION: Rough in Box with Isolation Bracket for use when installing high and low voltage in the same Full Size Stage Pocket. Provides 7.5" of junction clearance underneath the installed Pocket. Made from 14ga CRS.	REV 1 SHEET 1 OF 1
-------------------	--	--	---	-----------------------------

**FULL SIZE BACK BOX
WITH ISOLATING DIVIDER**

ISO102DDBBXW



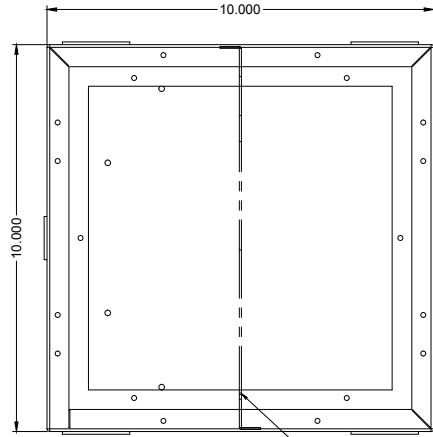
MATES WITH
VERTICAL SLANT
STYLE POCKET



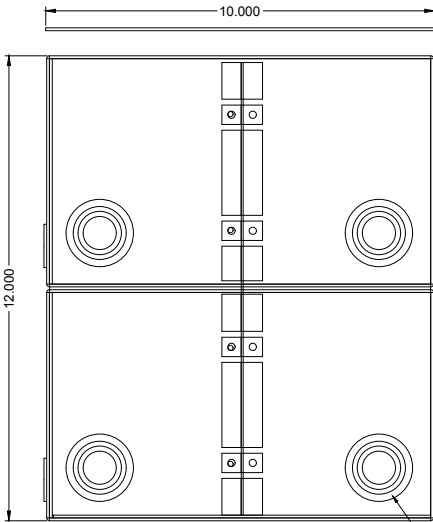
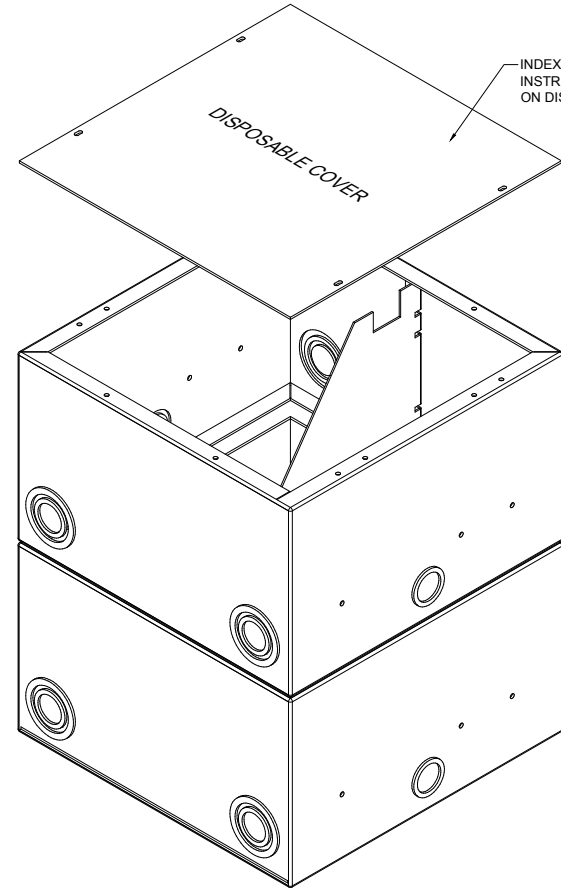
PROUDLY MADE
IN THE U.S.A.



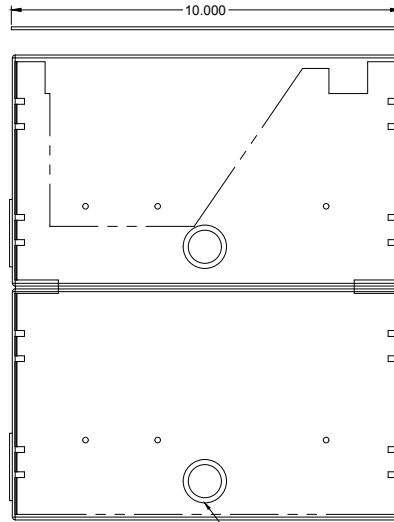
ACE BACKSTAGE CO
Stage Pocket Systems **Connectivity**
www.acebackstage.com



A/C ISOLATING DIVIDER
16ga GALVANNEALED STEEL



1/2", 3/4", 1", AND 1-1/4" COMBINATION
KNOCKOUTS (4) PLACES TYPICAL ON
OPPOSING SIDES



1/2" AND 3/4" COMBINATION
KNOCKOUTS (2) PLACES TYPICAL ON
OPPOSING SIDES

REVISION: 11/2019

FINISH :

COMPATIBLE POCKETS:

DESCRIPTION:

ALL DIMENSIONS ARE FOR REFERENCE
ONLY. ALL DIMENSIONS ARE IN INCHES

- ASTM Certified Electro Deposited Clear Zinc
- 1/16" Thick Polyurethane Jacket for moisture seal

Any Full Size Stage Pocket: 122/222/322

Polyurethane encapsulated Rough in Box with Isolation Bracket for use when installing high and low voltage in the same Full Size Stage Pocket. Provides extra protection from incursion of moisture and water by sealing seams, knock-outs, and holes. Provides 7.5" of junction clearance underneath the installed Pocket. Made from 14ga CRS.

REV
1

SHEET
1 OF 1