

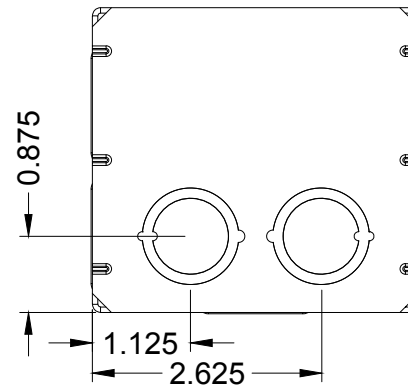
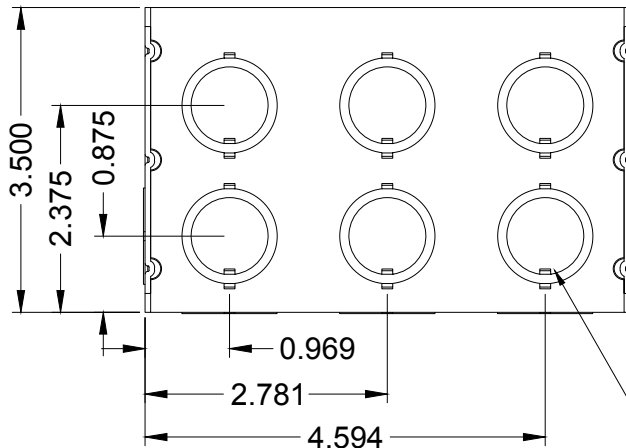
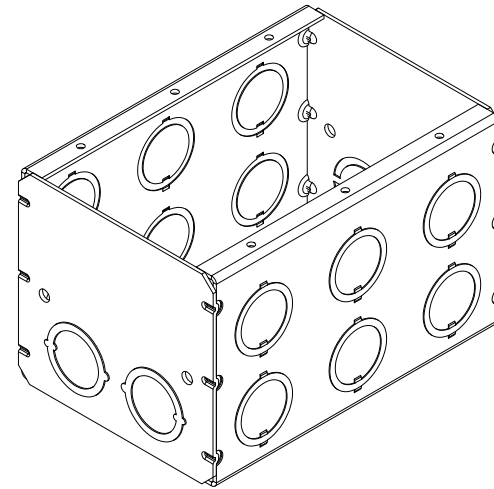
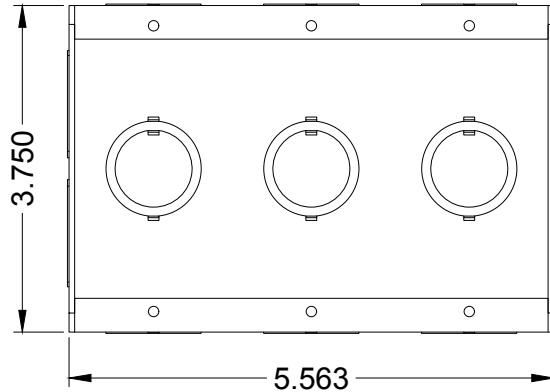
MINI SIZE BACK BOX

025BBX

MATES WITH
VERTICAL SLANT
STYLE POCKET



PROUDLY MADE
IN THE U.S.A.



1/2". 3/4" COMBINATION KNOCKOUTS

REVISION: 11/2019	FINISH :	COMPATIBLE POCKETS:	DESCRIPTION:	REV 1
ALL DIMENSIONS ARE FOR REFERENCE ONLY. ALL DIMENSIONS ARE IN INCHES	- Galvanized	Any Mini Size Stage Pocket: 025BK/025SS/025BR	Rough in Box for use when installing Mini Size Stage Pocket. Made from 1/16" steel.	SHEET 1 of 1

MINI SIZE BACK BOX
WITH ISOLATION BRACKET

025BBX/AC



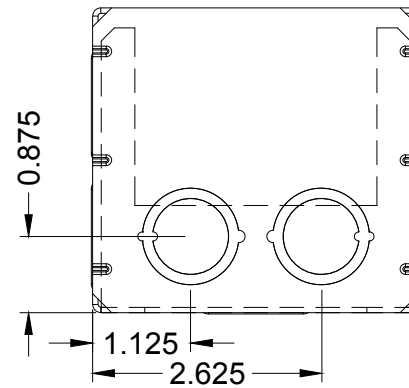
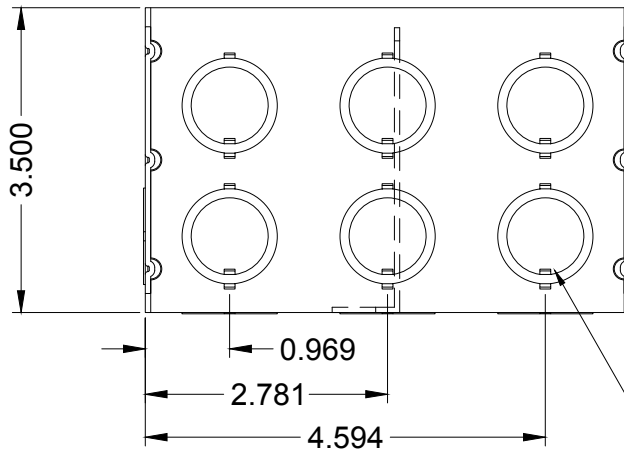
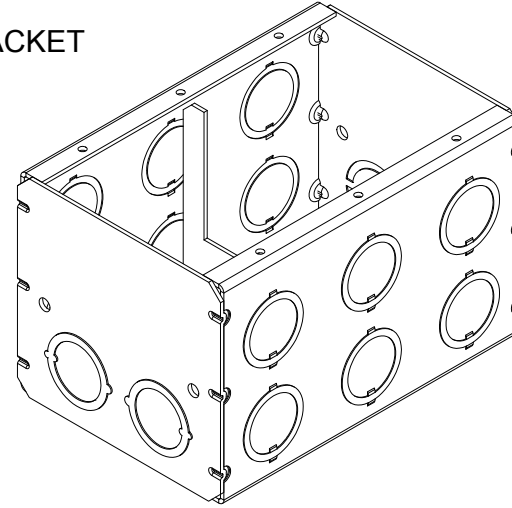
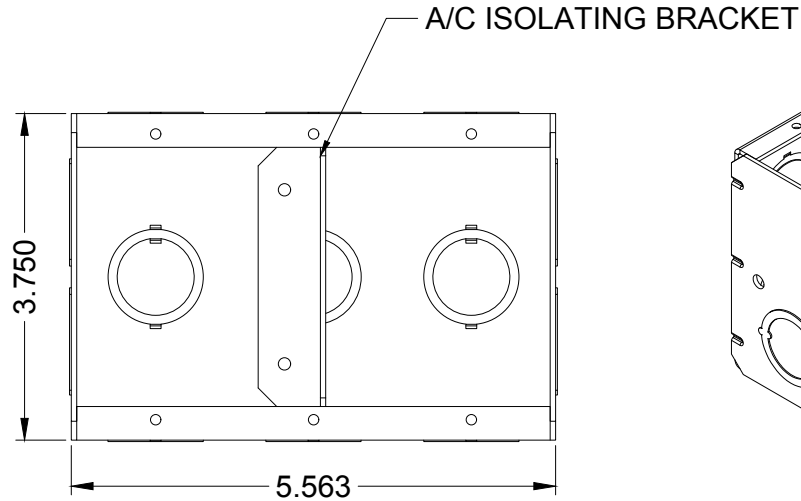
MATES WITH
VERTICAL SLANT
STYLE POCKET



PROUDLY MADE
IN THE U.S.A.



ACE BACKSTAGE CO
Stage Pocket Systems **Connectivity**
www.acebackstage.com



1/2". 3/4" COMBINATION KNOCKOUTS

REVISION: 11/2019	FINISH :	COMPATIBLE POCKETS:	DESCRIPTION:	REV 1
ALL DIMENSIONS ARE FOR REFERENCE ONLY. ALL DIMENSIONS ARE IN INCHES	- Galvanized	Any Mini Size Stage Pocket: 025BK/025SS/025BR	Rough in Box with Isolation Bracket for use when installing high and low voltage in the same Mini Size Stage Pocket. Made from 1/16" steel.	SHEET 1 OF 1