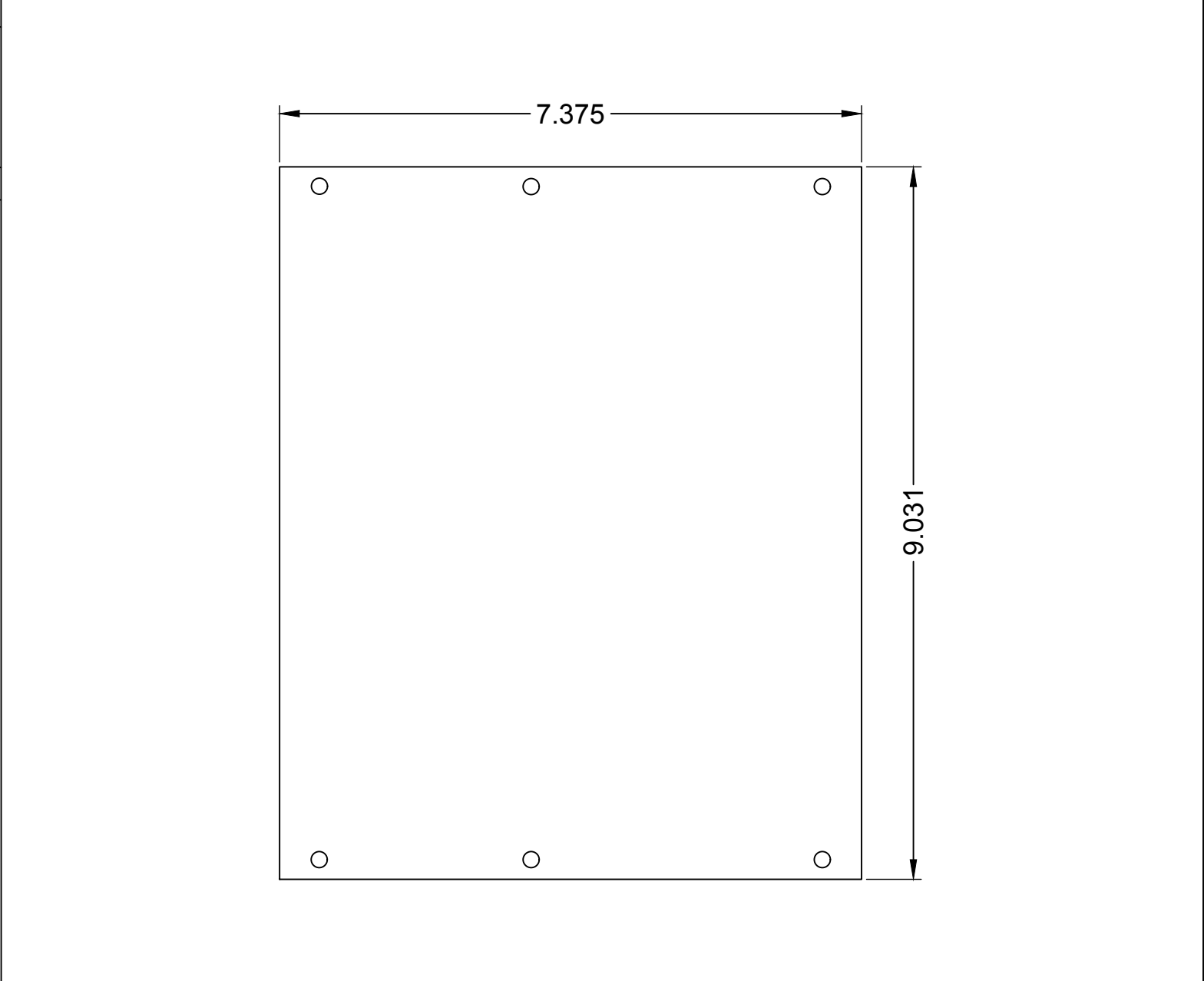
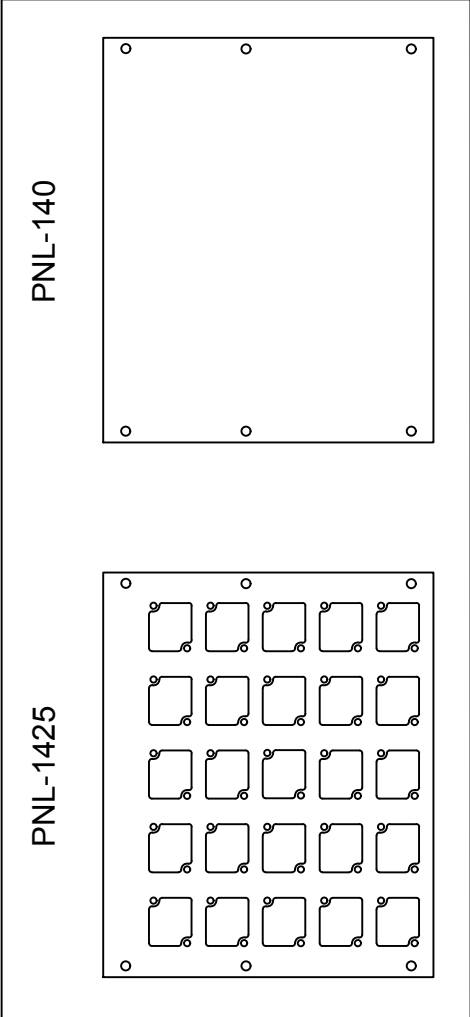


COMPATIBLE POCKETS

- SUPER
- SUPER DOUBLE WIDE

PNL-140 SERIES PANELS



REVISED: 01/2021	MATERIAL:	FINISH:	DESCRIPTION:	REV 1
ALL DIMENSIONS ARE FOR REFERENCE ONLY. ALL DIMENSIONS ARE IN INCHES	1/16" 6061-T6 ALUMINUM	BLACK POWDER COAT, SEMI GLOSS	FLOOR POCKET PANEL, BLANK.	SHEET 1 OF 1

MODEL NO.

PNL-1425

SERIES

PNL-140 SERIES

TYPE

FLOOR POCKET PANEL



PROUDLY MADE IN THE U.S.A.



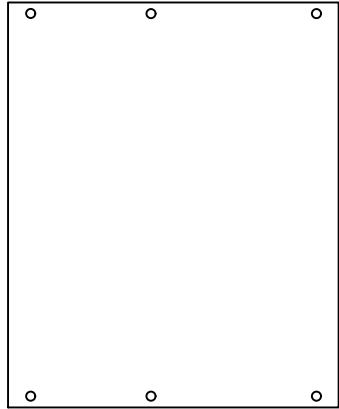
ACE BACKSTAGE CO
Stage Pocket Systems *Connectivity*
www.acebackstage.com

COMPATIBLE POCKETS

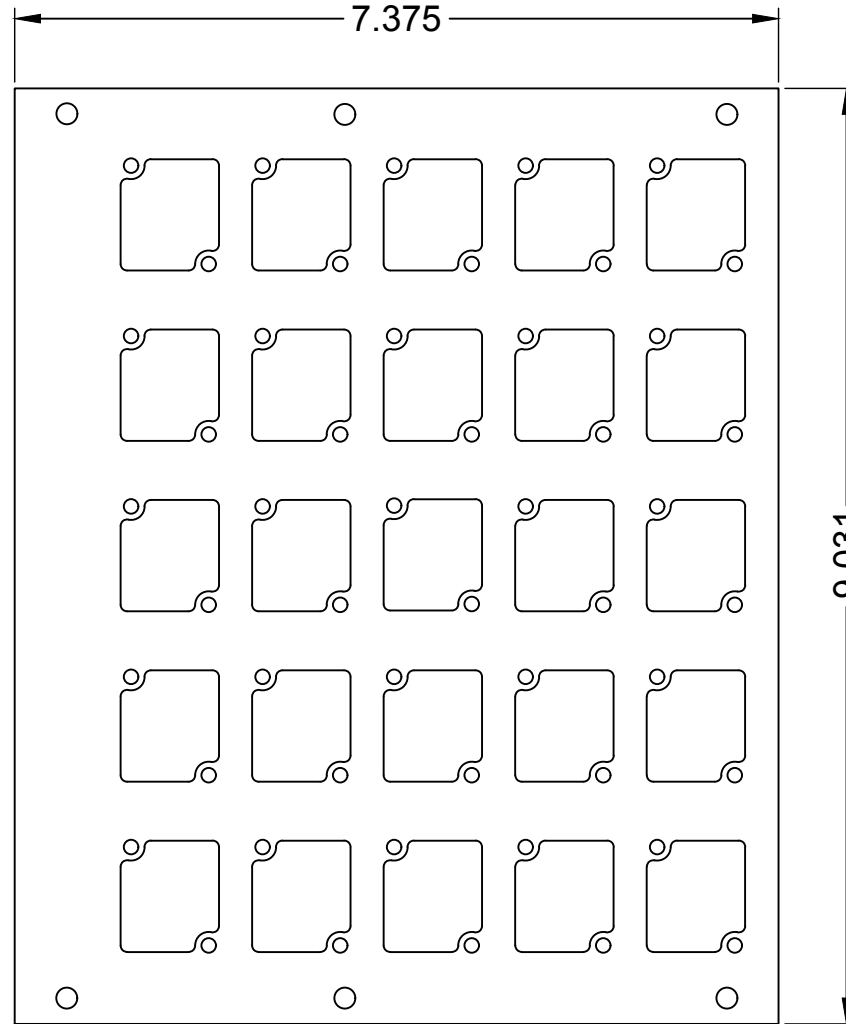
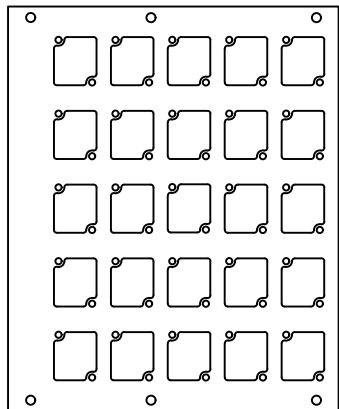
- SUPER
- SUPER DOUBLE WIDE

PNL-140 SERIES PANELS

PNL-140



PNL-1425



REVISED: 01/2021

MATERIAL:

1/16" 6061-T6 ALUMINUM

FINISH:

BLACK POWDER COAT, SEMI GLOSS

DESCRIPTION:

FLOOR POCKET PANEL WITH (25) CONNECTRIX CUTOUTS

REV 1

SHEET 1 OF 1