

EXTENSION RING  
FOR USE WITH  
SUPER POCKETS

BZ132-EXTENDER



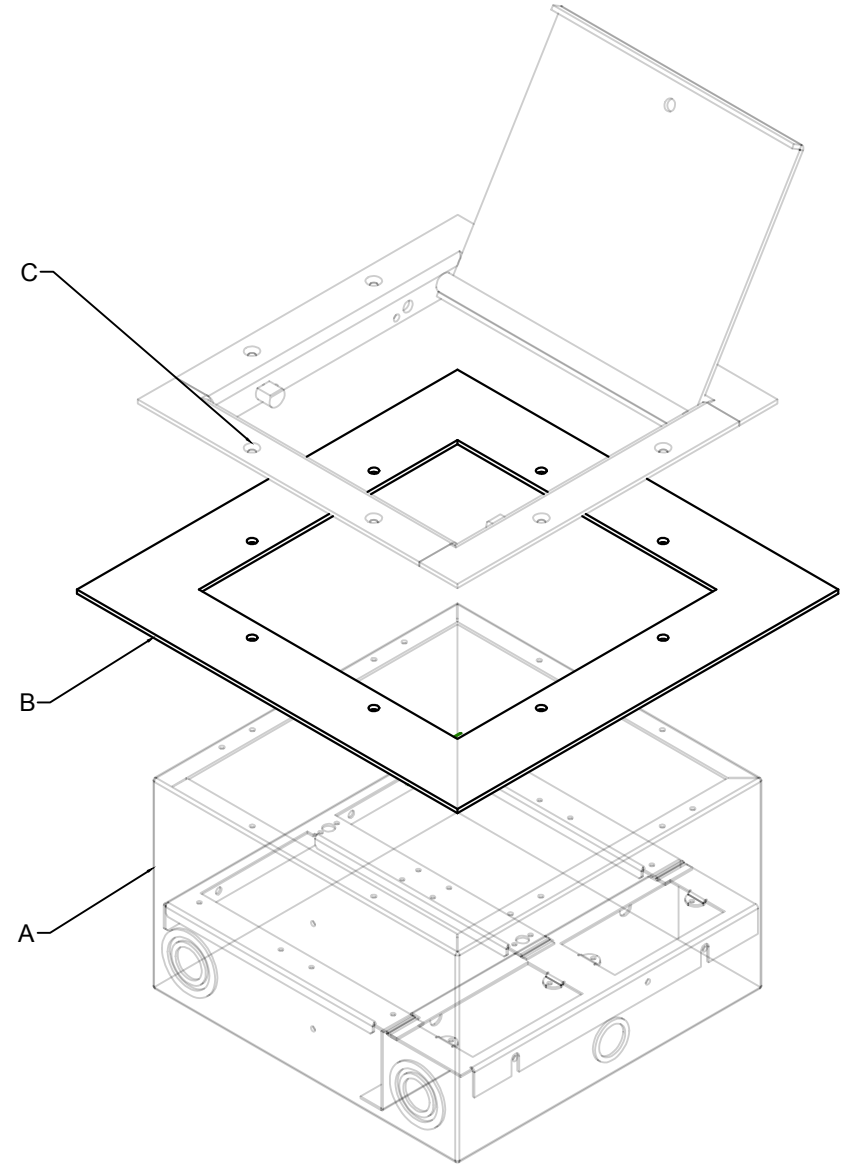
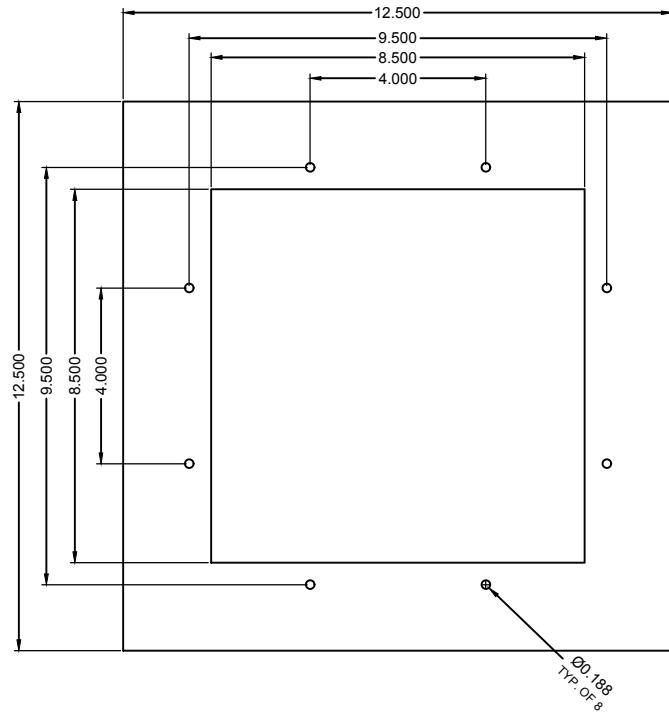
MATES WITH  
HORIZONTAL  
STYLE POCKET



PROUDLY MADE  
IN THE U.S.A.



**ACE BACKSTAGE CO**  
Stage Pocket Systems *Connectivity*  
www.acebackstage.com



**INSTALLATION INSTRUCTIONS**

<b>A</b>	SECURE BACK BOX AS REQUIRED TO MEET FLOOR LOADING REQUIREMENTS.
<b>B</b>	PLACE EXTENSION RING BETWEEN BACK BOX/FINISHED FLOOR AND THE COVER.
<b>C</b>	SCREWS THE COVER TO THE BACK BOX MAKING SURE TO GO THROUGH THE HOLES ON THE EXTENSION RING.

REVISION: 11/2019

MATERIAL :

COMPATIBLE FLOOR POCKETS:

DESCRIPTION:

REV

ALL DIMENSIONS ARE FOR REFERENCE ONLY. ALL DIMENSIONS ARE IN INCHES

- 11ga CRS

132XXXX

Extension Ring for use with Super Pocket Bezel and Lid Assembly to cover large reveal cut out. Requires additional support from framed Back Box Pocket Body.

1

SHEET

1 OF 1