

**MICROPHONE
HANGER SLUG**



PROUDLY MADE
IN THE U.S.A.

REVISIONS

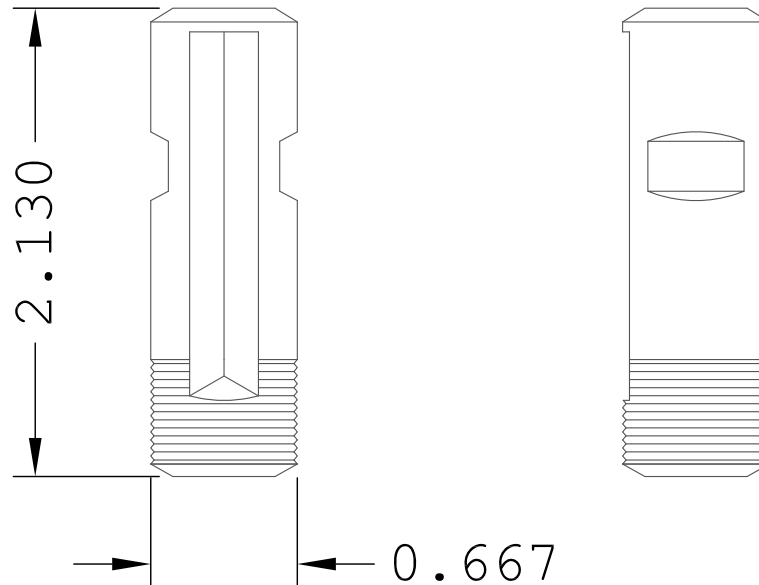
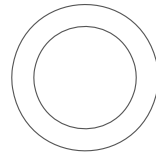
REV

DESCRIPTION

DATE



ACE BACKSTAGE CO., INC. - STAGE POCKET SYSTEMS
www.acebackstage.com



APPROVALS

DATE

DRAWN

JM

03/12/12

CUSTOMER APPROVAL

ALL DIMENSIONS ARE FOR
REFERENCE ONLY. UNLESS
OTHERWISE SPECIFIED ALL
DIMENSIONS ARE IN INCHES.

FINISH

BLACK

MATERIAL

DELTRIN POLYMER

ITEM:

#43

DESCRIPTION:

THE ACE MICROPHONE HANGER SLUG ALLOWS YOU
TO HANG ALMOST ANY MICROPHONE FROM A
CABLE END AND POINT IT IN ANY DIRECTION.

REV

1

SHEET

1 OF 1