
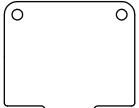
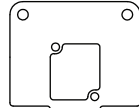
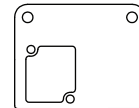
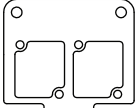
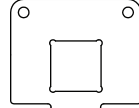
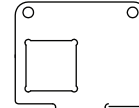


ROUGH IN PARTS FOR MINI POCKETS 	
All Rough In Boxes include multiple Knock Outs on all sides are UL Listed	
BACK BOX MODEL NUMBERS	DESCRIPTION
#025BBX	3.5" Deep for Strain Relief and Concrete Pour
#025BBX/AC	3.5" Deep Back Box with Isolated Bracket for High Voltage Use

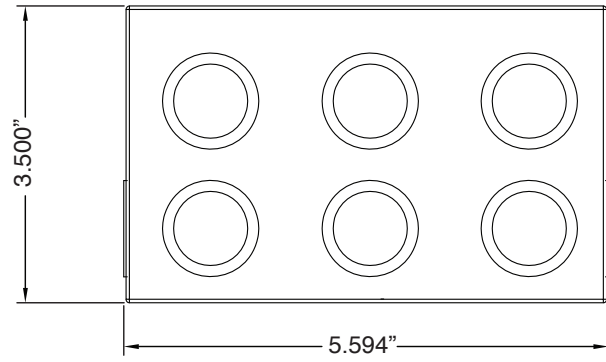
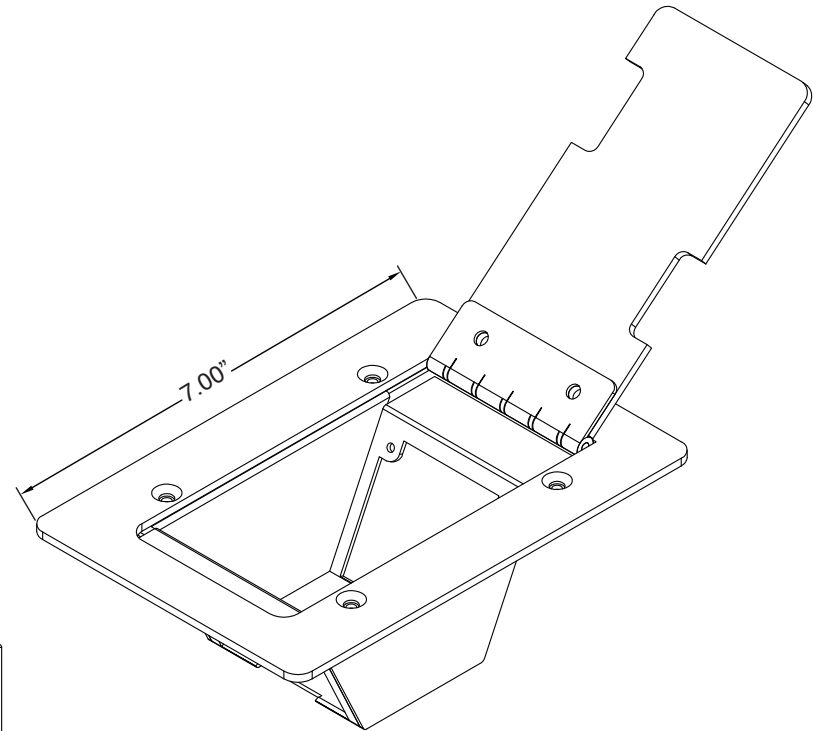
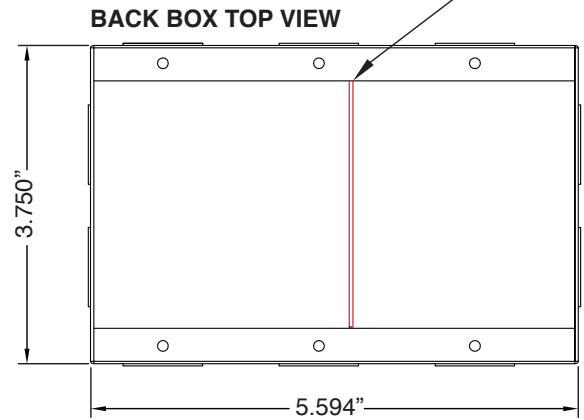
STAGE POCKET MODEL NUMBERS	DESCRIPTION
025BK	Standard Flush Lid / Black Powdercoat
025BR	Brass Lid and Bezel / Black Pocket Body
025CV	Standard Flush Lid / Coppervein Powdercoat
025SS	Stainless Steel Lid & Bezel / Black Pocket Body

CONNECTRIX PANEL OPTIONS - Additional Panels on our Website

 MP-100	 MP-101	 MP-101L
 MP-102	 MP-113 <small>FOR USE WITH I-C00138 SINGLE OUTLET CONNECTOR ONLY</small>	 MP-114 <small>FOR USE WITH I-C00138 SINGLE OUTLET CONNECTOR ONLY</small>

CONNECTRIX Connectors & Panels at www.acebackstage.com

OPTIONAL A/C ISOLATING BRACKET



**ALL DIMENSIONS ARE REFERENCE ONLY
ALL DIMENSIONS ARE IN INCHES**