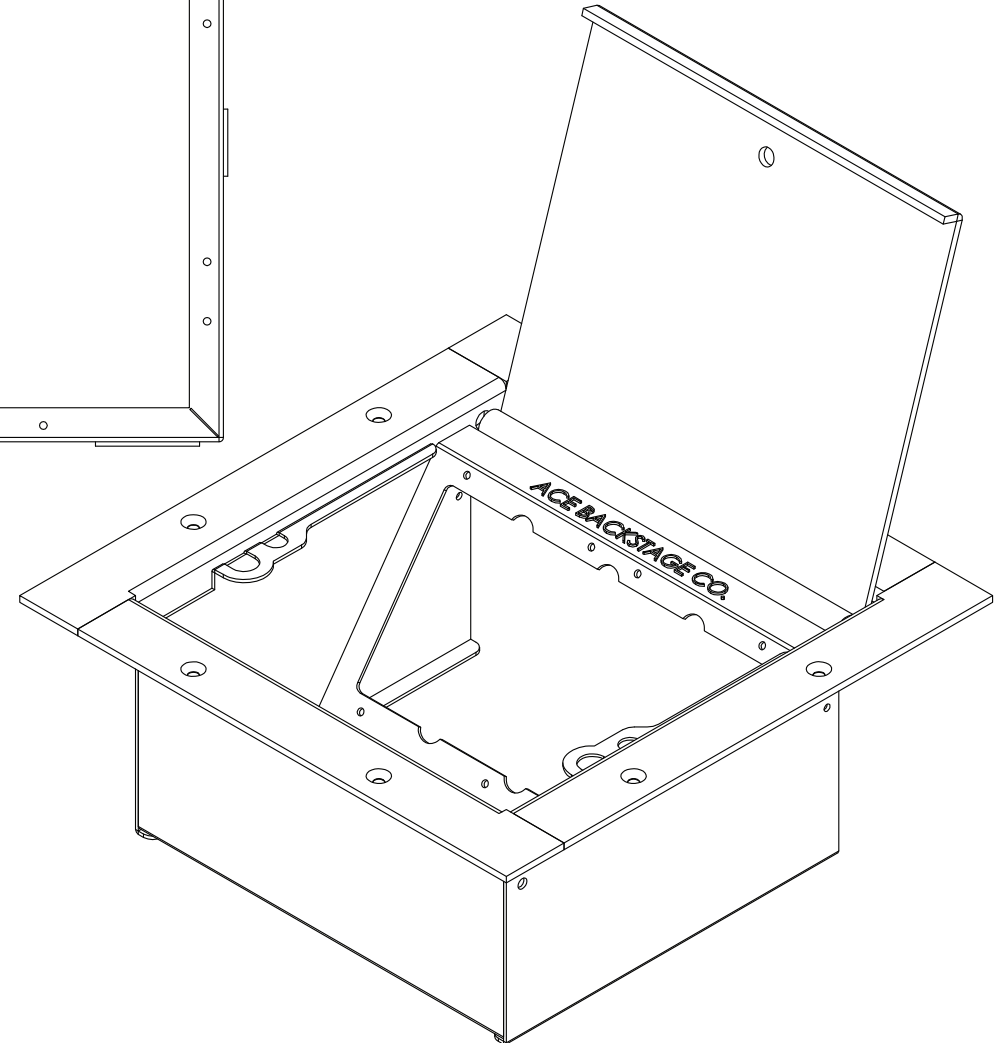
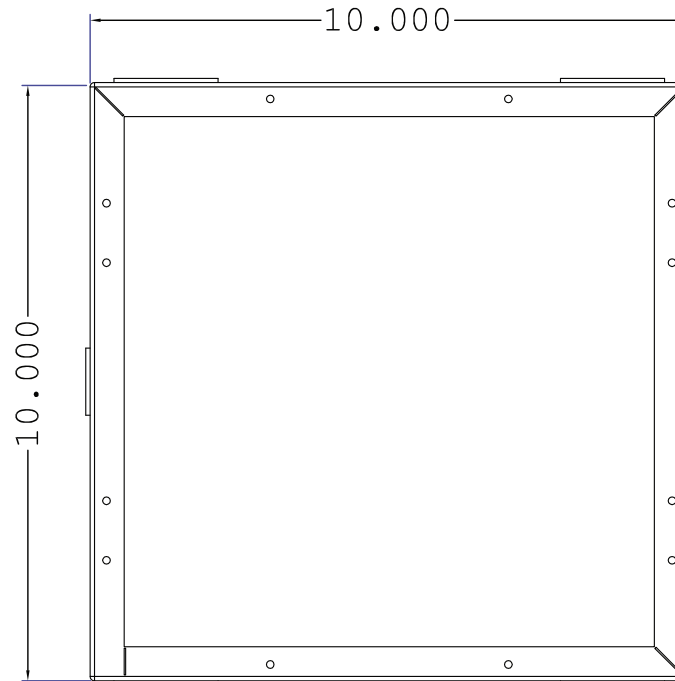
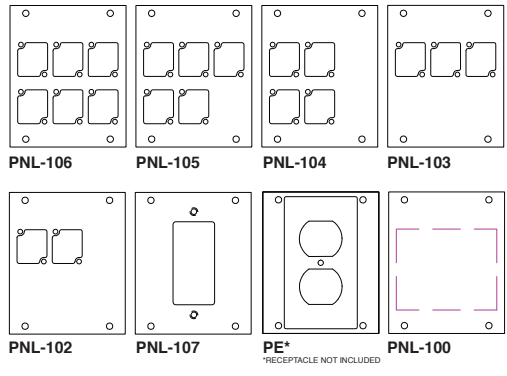


BACK BOX MODEL NUMBERS	DESCRIPTION
#22BAC	Back Access Cover
#102BBX	6" Deep Back Box with Disposable Cover
Add ISO prefix to any Back Box to include Isolation Barcket for AC separation	

STAGE POCKET MODEL NUMBERS	DESCRIPTION
122SLBK	Standard Flush Lid / Black Powdercoat
122CLBK	Recessed Blk Lid / Black Powdercoat
122SLCV	Standard Flush Lid / Coppervein Powdercoat
122CLCV	Recessed Blk Lid / Coppervein Powdercoat
222SLBR	Solid Brass Lid / Black Pocket Body
222CLBR	Brass Bezel / Recessed Blk Lid / Blk Pocket Body
322SLSS	Solid Stainless Steel Lid / Blk Pocket Body
322CLSS	Stainless Steel Bezel / Recessed Blk Lid / Blk Pkt



CONNECTRIX PANELS OPTIONS - Additional Panels on our Website



CONNECTRIX Connectors & Panels at www.acebackstage.com

**ALL DIMENSIONS ARE REFERENCE ONLY
ALL DIMENSIONS ARE IN INCHES**



UL Listed Stage Pocket System - Full Stage Pocket
ACE Back Boxes, Stage Pockets and **CONNECTRIX** Panels & Connectors are available independently to support modular options. Approved parts are delivered with appropriate UL markings.