

BRACKETS FOR 174SLBK  
ALLEN & HEATH FLOOR POCKET.

BRK174



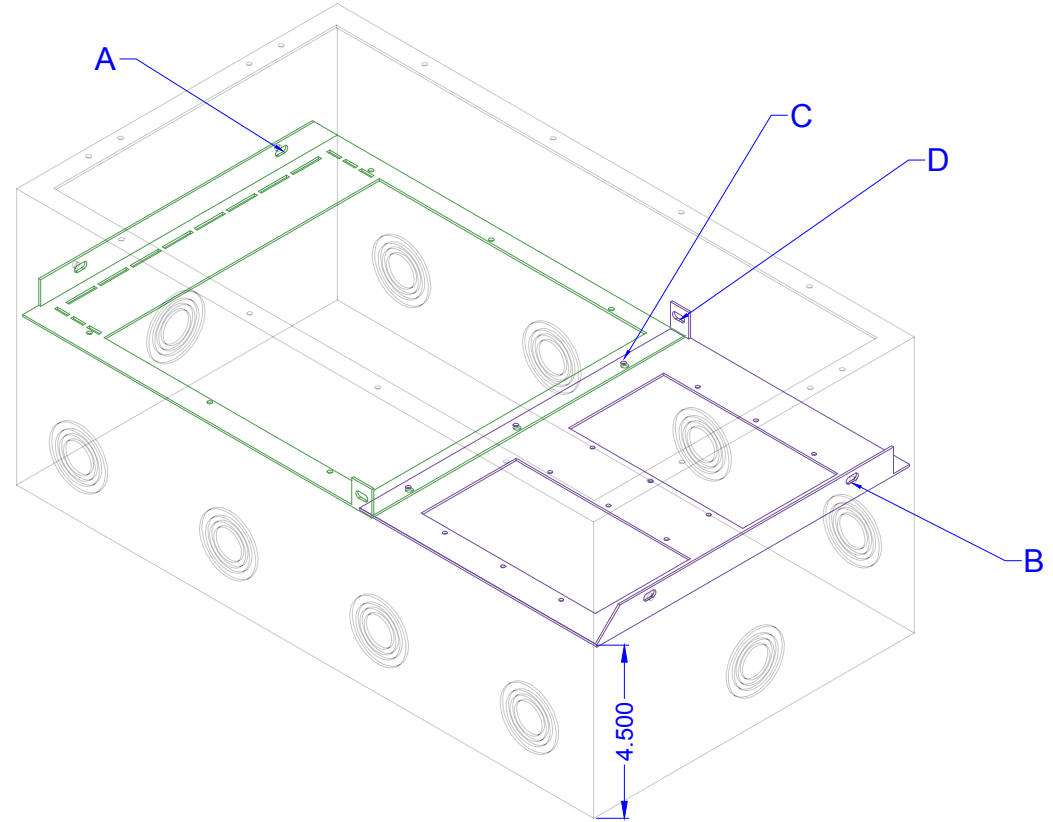
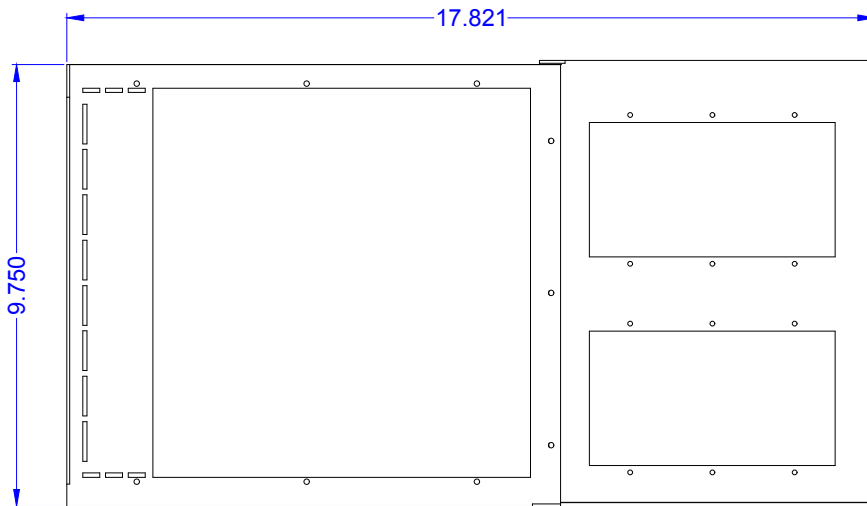
MATES WITH  
HORIZONTAL  
STYLE POCKET



PROUDLY MADE  
IN THE U.S.A.



**ACE BACKSTAGE CO**  
Stage Pocket Systems Connectivity  
www.acebackstage.com



**INSTALLATION INSTRUCTIONS**

<b>A</b>	INSTALL BRACKET A USING PROVIDED (2) 8-32 3/16 SCREWS IN 3 PRE-DRILLED HOLES.
<b>B</b>	INSTALL BRACKET B USING PROVIDED (3) 8-32 3/16 SCREWS IN 3 PRE-DRILLED HOLES. BRACKET B WILL SIT ON TOP OF BRACKET A
<b>C</b>	ATTACH BRACKETS AND B TOGETHER USING PROVIDED (3) 8-32 3/16 SCREWS IN PRE-DRILLED HOLES.
<b>C</b>	ATTACH BRACKETS TO SIDE OF BACK BOX USING PROVIDED (2) 8-32 3/16 SCREWS HOLES WILL NEED TO BE ADDED.

REVISION: 11/2019

MATERIAL :

COMPATIBLE ROUGH IN BOXES:

DESCRIPTION:

REV

ALL DIMENSIONS ARE FOR REFERENCE ONLY. ALL DIMENSIONS ARE IN INCHES

- 16ga Galvannealed Steel

1048BBX / 1048BBXW

Horizontal Panel Bracket Kit for Double Wide Size 8.00" Deep Back Box. Bracket installation to support 174SLBK Allen and Heath Pocket Body construction phase sub-assembly.

1

SHEET  
1 OF 1