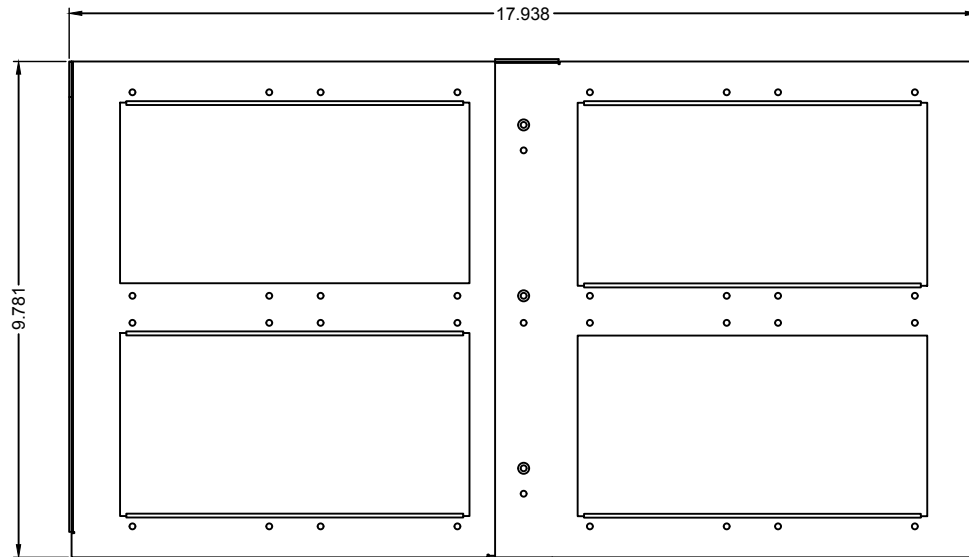
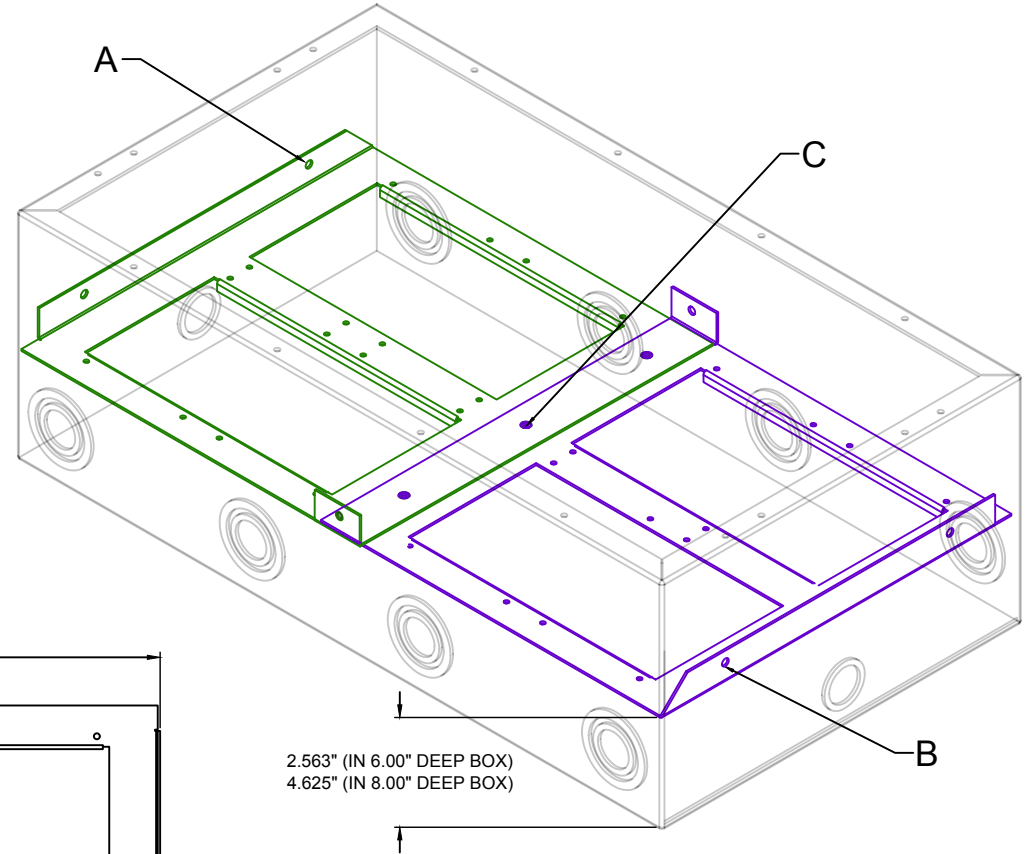




INSTALLATION INSTRUCTIONS

A	INSTALL BRACKET A USING PROVIDED (3) 8-32 3/16 SCREWS IN 3 PRE-DRILLED HOLES.
B	INSTALL BRACKET B USING PROVIDED (3) 8-32 3/16 SCREWS IN 3 PRE-DRILLED HOLES. BRACKET B WILL SIT ON TOP OF BRACKET A
C	ATTACH BRACKETS A AND B TOGETHER USING PROVIDED (3) 8-32 3/16 SCREWS IN PRE-DRILLED HOLES.



REVISION: 11/2019

MATERIAL :

- 16ga Galvannealed Steel

COMPATIBLE ROUGH IN BOXES:

104BBX / 104BBXW
1048BBX / 1048BBXW

DESCRIPTION:

Horizontal Panel Bracket Kit for Double Wide Back Box. Bracket installation to support Super Double Wide Pocket Body construction phase sub-assembly.

REV
1
SHEET
1 OF 1