



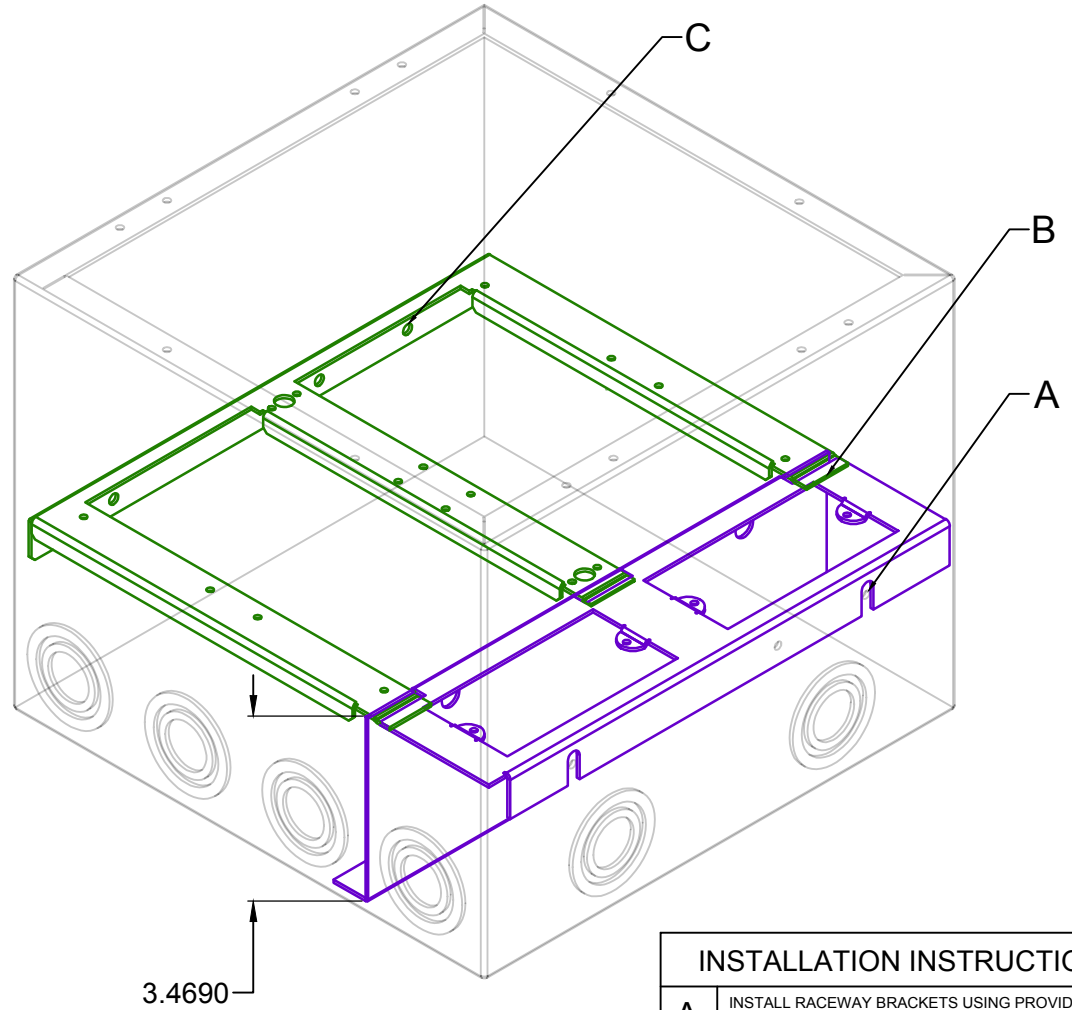
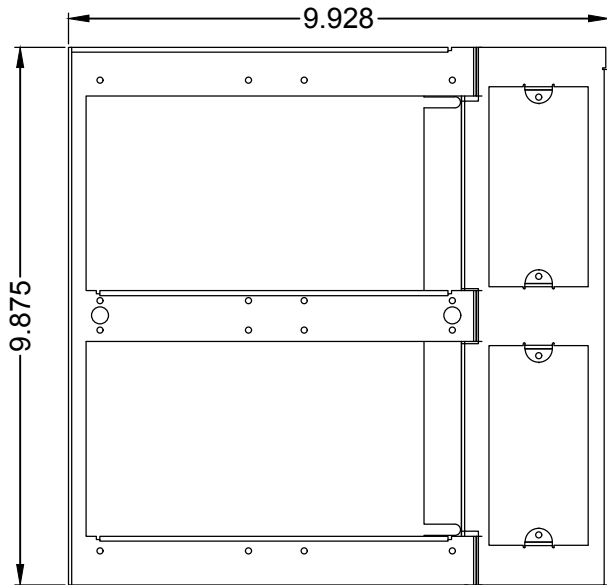
MATES WITH HORIZONTAL STYLE POCKET



PROUDLY MADE IN THE U.S.A.



ACE BACKSTAGE CO
Stage Pocket Systems **Connectivity**
www.acebackstage.com



INSTALLATION INSTRUCTIONS	
A	INSTALL RACEWAY BRACKETS USING PROVIDED (4) 8-32 3/16 SCREWS IN 4 PRE-DRILLED HOLES.
B	SLIDE "E" BRACKET INTO RACEWAY BRACKET
C	ATTACH "E" BRACKET TO BACK BOX USING PROVIDED (4) 8-32 3/16 SCREWS IN PRE-DRILLED HOLES.

REVISION: 11/2019	MATERIAL : - 16ga Galvannealed Steel	COMPATIBLE ROUGH IN BOXES: 1028BBX / 1028BBXW	DESCRIPTION: Horizontal Panel Bracket Kit for Full Size 8.00" Deep Back Box. Bracket installation to support Super Pocket Body construction phase sub-assembly.	REV 1 SHEET 1 OF 1
-------------------	---	--	--	-----------------------------