

STAGE POCKET FOR ALLEN & HEATH OR DiGi CO EXPANDER UNIT

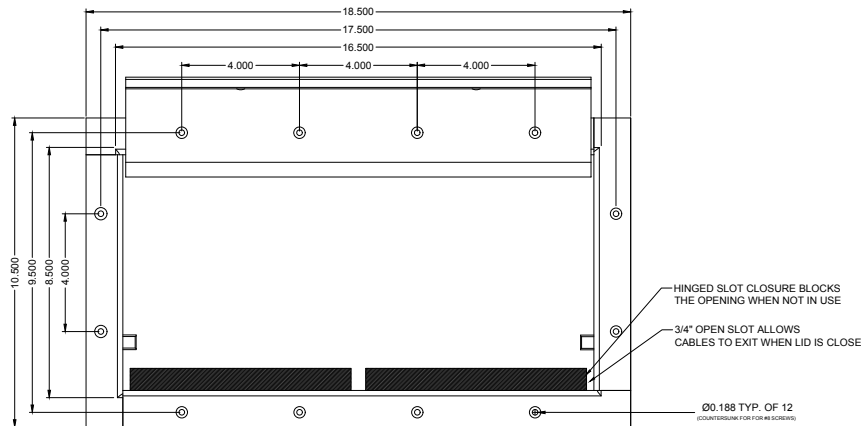
174SLBK



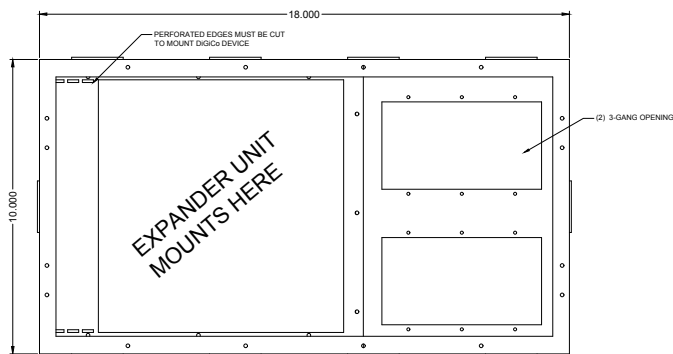
NESTING



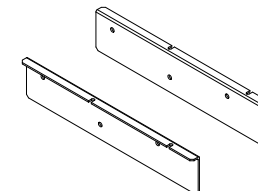
PROUDLY MADE IN THE U.S.A.



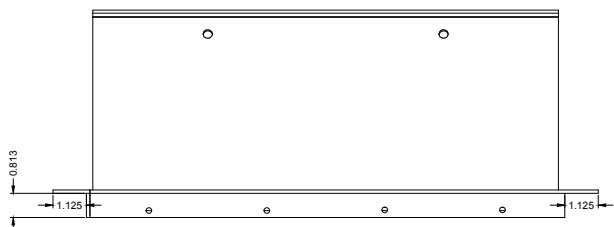
1 TOP VIEW COVER



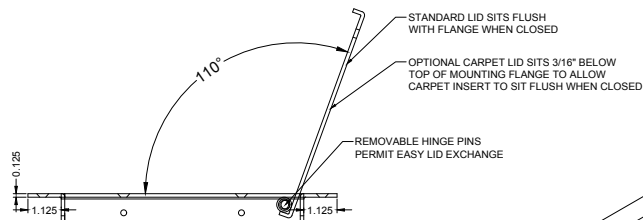
2 TOP VIEW BACK BOX



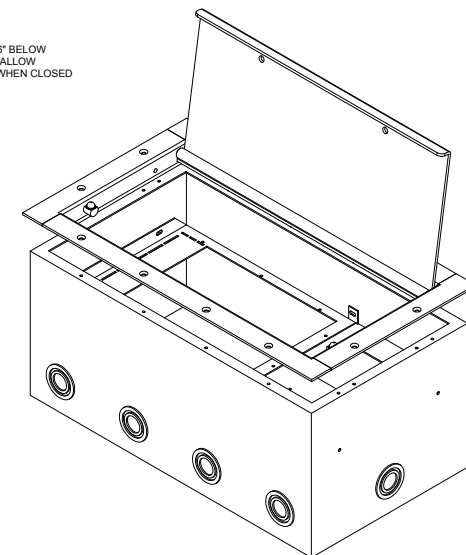
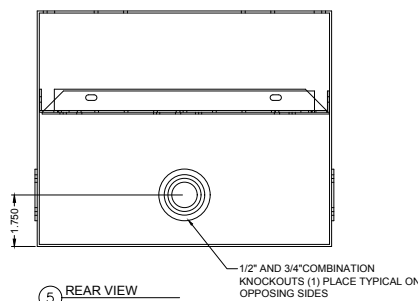
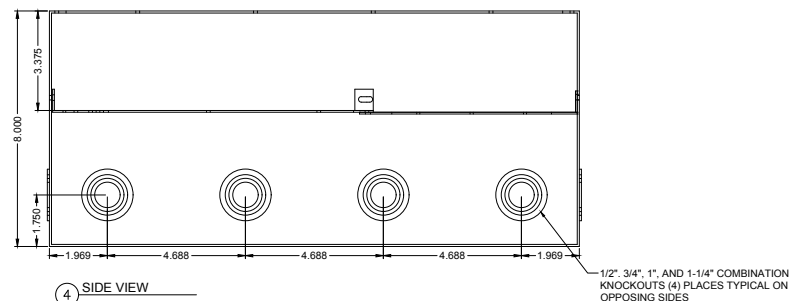
3 EXPANDER MOUNTING EARS.



4 SIDE VIEW



5 REAR VIEW



REVISION: 11/2019

BEZEL/LID FINISH CHOICES:

CAPACITY:

DESCRIPTION:

REV

ALL DIMENSIONS ARE FOR REFERENCE ONLY. ALL DIMENSIONS ARE IN INCHES

- Textured Black Powder Coat

(1) Allen & Heath DX164-W OR (1) DiGiCo A164 Expander Unit and (2) 3-gang Panels or Devices.

Designed for permanent stage floor installation of one expander unit, mounting ears included. The Pocket Body is made from 14ga CRS and mating Bezel/Lid assembly is 11ga CRS.

1 SHEET 1 OF 1