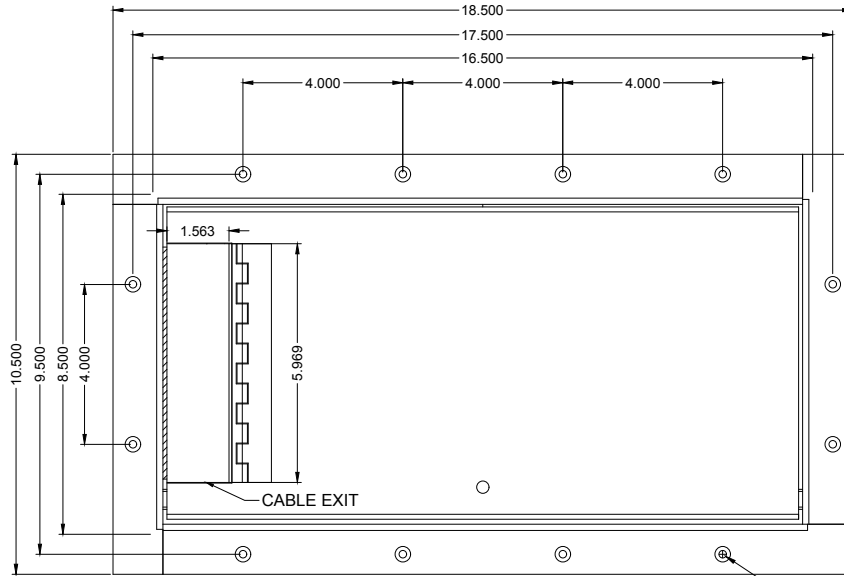


# STAGE POCKET FOR NEUTRIK OpticalCON

## 154SLBK

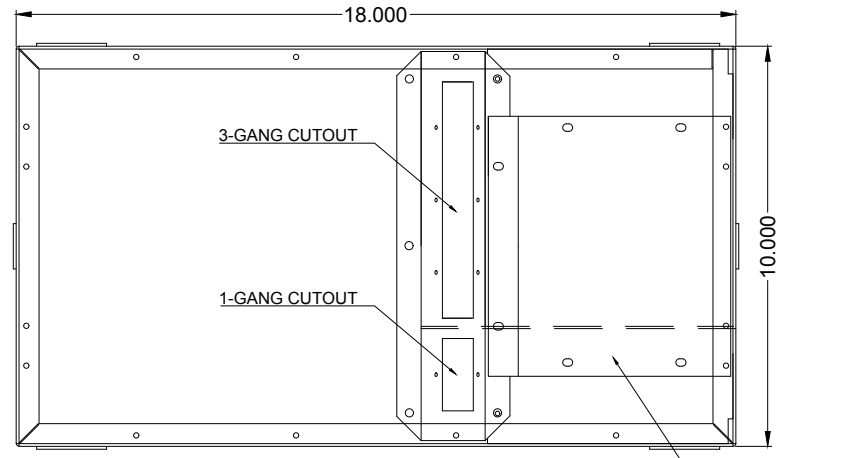


PROUDLY MADE IN THE U.S.A.

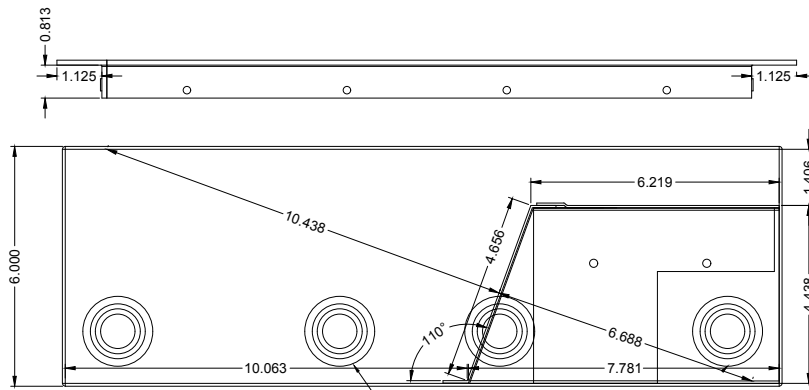


1 TOP VIEW COVER

Ø0.188 TYP OF 12  
(COUNTERSINK FOR 40#-80# STEEL)



2 TOP VIEW BACK BOX



3 SIDE VIEW

1/2", 3/4", 1", AND 1-1/4" COMBINATION KNOCKOUTS (4) PLACES TYPICAL ON OPPOSING SIDES



ISOLATING BRACKET

4 REAR VIEW

1/2" AND 3/4" COMBINATION KNOCKOUTS (1) PLACE TYPICAL ON OPPOSING SIDES

LARGE AREA FOR ADDITIONAL KNOCKOUTS

REVISION: 11/2019

BEZEL/LID FINISH CHOICES:

- Textured Black Powder Coat

CAPACITY:

Up to (8) Connectors and (1) AC Duplex  
OR Customize for Multi Pin Connectivity.  
Compatible with **CONNECTRIX** Panels and Connectors.

DESCRIPTION:

Heavy Duty Double Wide, Slant Panel, Stage Pocket supporting ANSI recommended bend for specialty cables and thick gauge wire. Customizable connector panel can accommodate large multi pin connectivity. The Pocket Body is made from 14ga CRS and mating Bezel/Lid assembly is 11ga CRS.

REV  
1  
SHEET  
1 OF 1