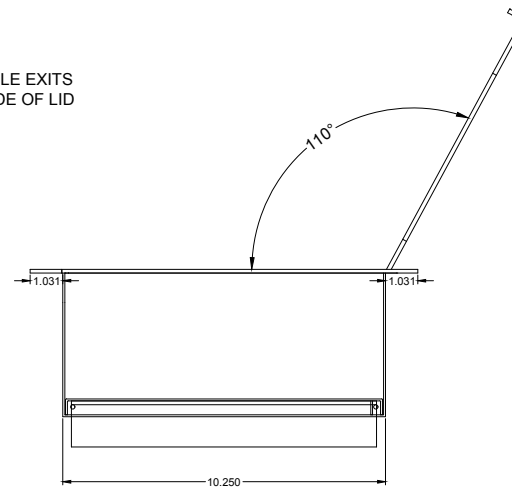
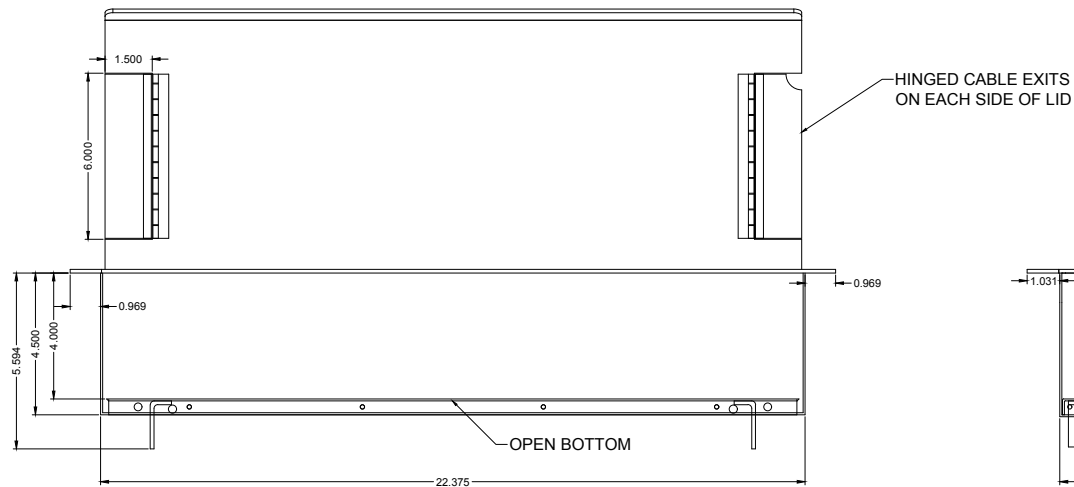
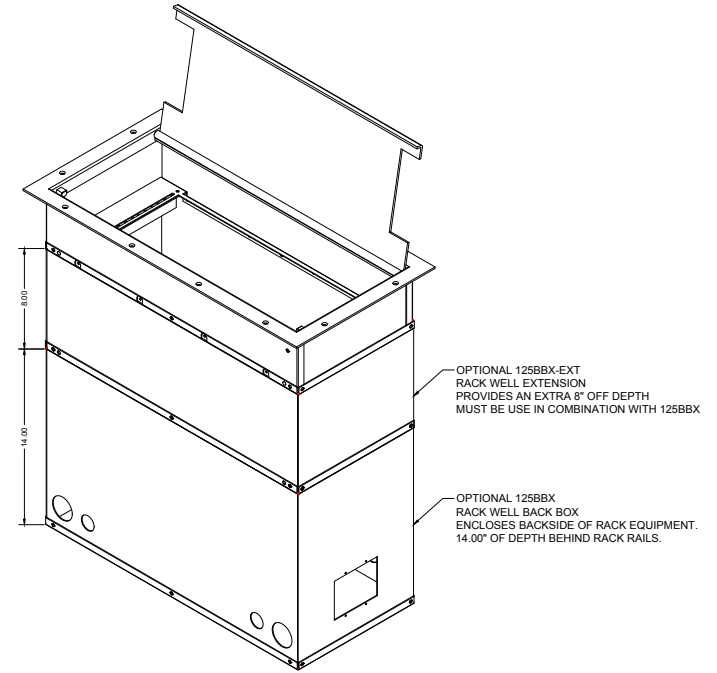
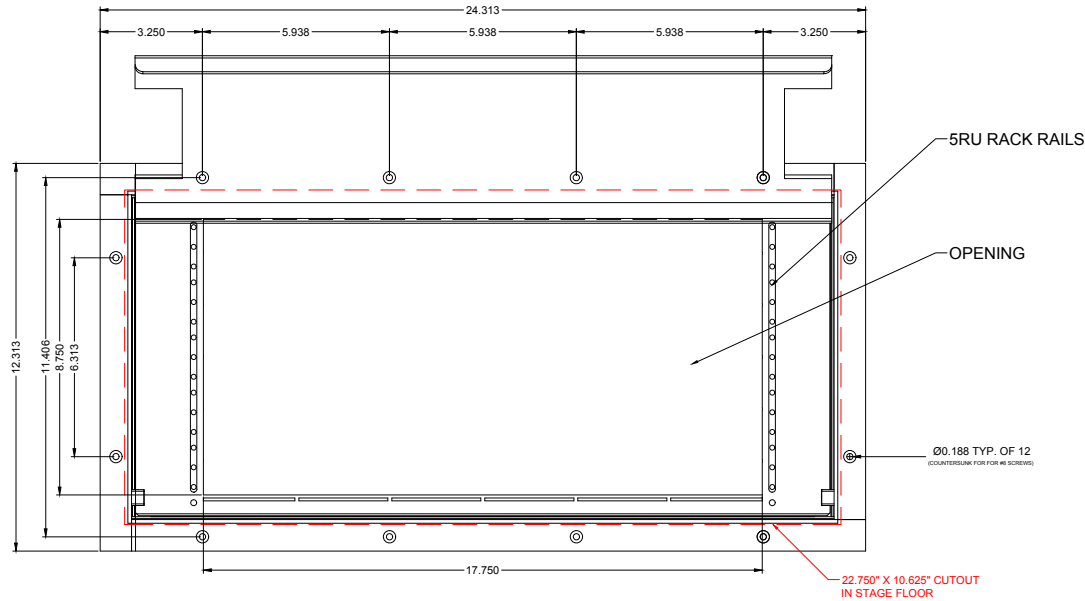


# RackWell POCKET

## 125SLBK



 PROUDLY MADE  
IN THE U.S.A.



REVISION: 11/2019	BEZEL/LID FINISH CHOICES: - Textured Black Powder Coat	CAPACITY: Suitable for up to 5 rack units of suitable equipment or rack panels.	DESCRIPTION: Designed for permanent stage floor installation of rack mountable digital electronics in a horizontal position. The Pocket Body is made from 14ga CRS and mating Bezel/Lid is 11ga CRS.	REV 1 SHEET 1 OF 1
-------------------	---	--	---	-----------------------------