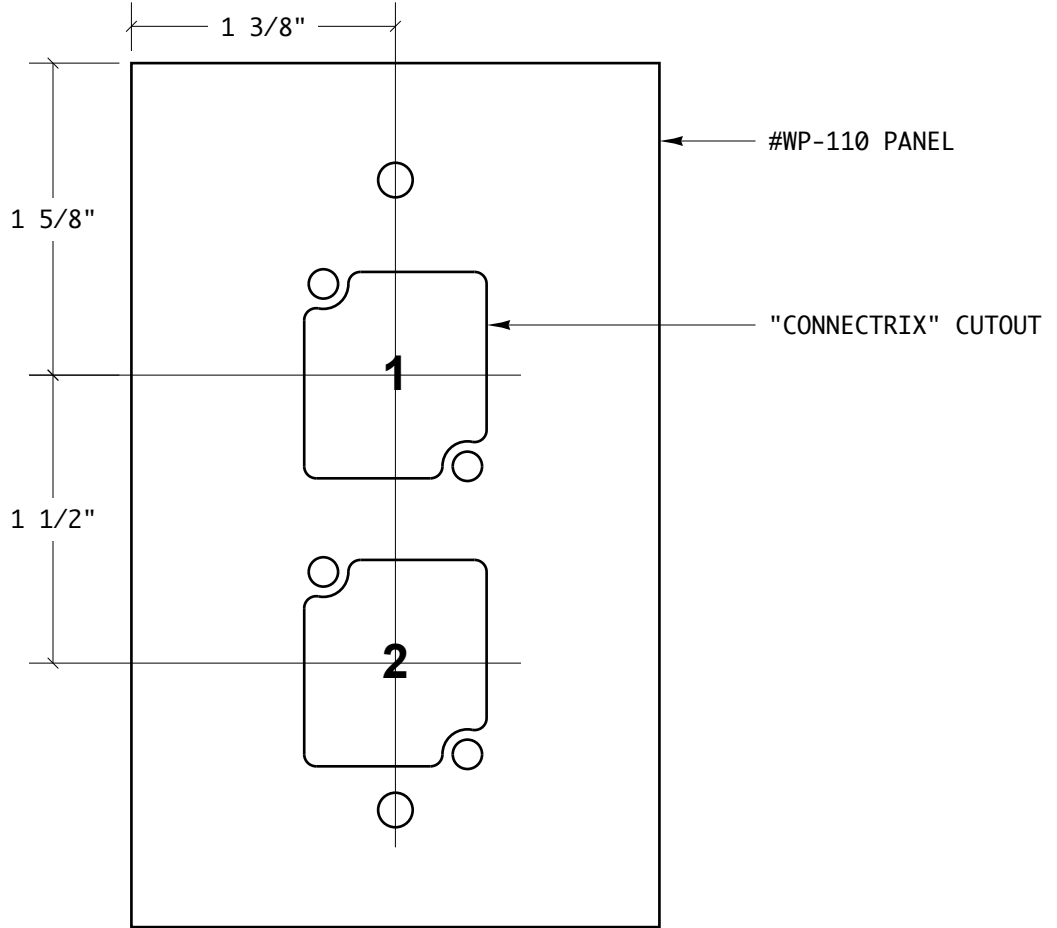




"CONNECTRIX" SYSTEM

REVISIONS

ZONE	REV	DESCRIPTION	DATE	APPROVED
------	-----	-------------	------	----------



ALL DIMENSIONS ARE FOR REFERENCE ONLY. UNLESS OTHERWISE SPECIFIED ALL DIMENSIONS ARE IN INCHES.

APPROVALS

DATE



ACE BACKSTAGE CO., INC. - STAGE POCKET SYSTEMS  
24846 Avenue Rockefeller • Suite 200 • Valencia, CA 91355  
Tel: 661-295-5760 • Fax: 661-295-1122 • Web: www.acebackstage.com

DRAWN

04/22/08

ENGINEER

TITLE

#WP-112 "CONNECTRIX" WALL PANEL,  
(2) "CONNECTRIX" MOUNTS

TREATMENT

CHECKED

FINISH

APPROVED

SIZE  
A

DWG NO.

WP-112.pdf

REV

SIMILAR TO

MARKING SYMBOL

ISSUED

SCALE: 1:1

"CONNECTRIX" WALL PANEL

SHEET 1 OF 1