

FULL BACK BOX WITH BRACKETS



COMPATIBLE WITH:
HORIZONTAL POCKET



PROUDLY MADE
IN THE U.S.A.

REVISIONS

REV

DESCRIPTION

DATE

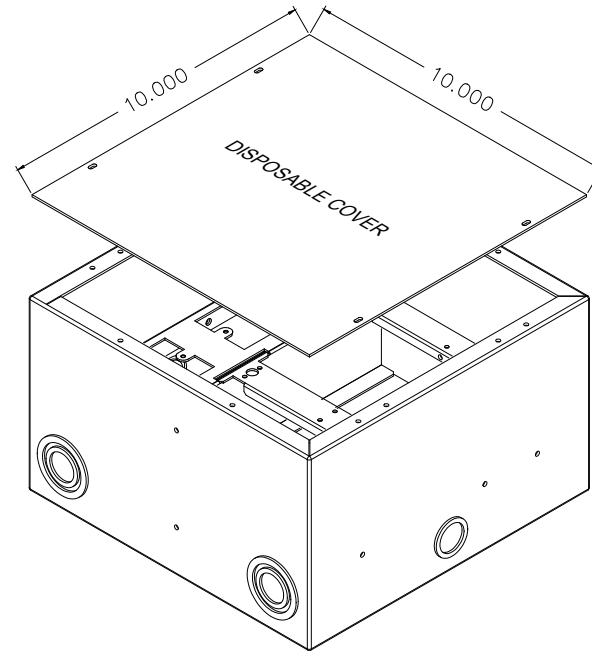
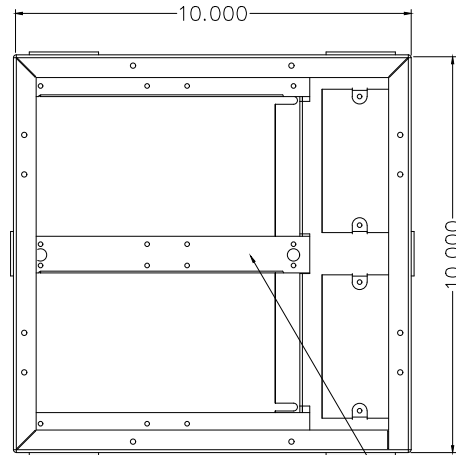


ACE BACKSTAGE CO., INC. - STAGE POCKET SYSTEMS

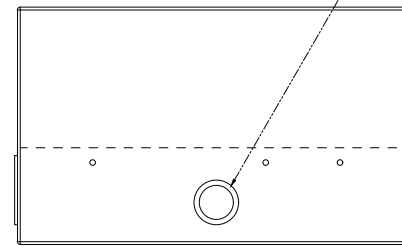
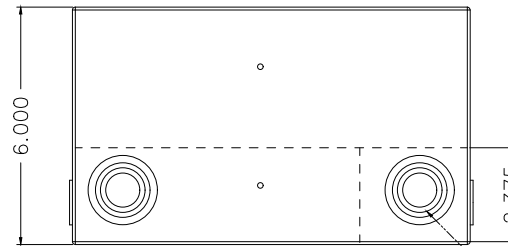
www.acebackstage.com

COMPATIBLE BEZELS:

MODEL NUMBERS:	DESCRIPTION:
BZ132SLBK	STANDARD LID / BLACK
BZ132CLBK	CARPET LID / BLACK
BZ132SLCV	STANDARD LID / COPPER VEIN
BZ132CLCV	CARPET LID / COPPER VEIN
BZ232SLBR	STANDARD LID / SOLID BRASS
BZ232CLBR	CARPET LID / SOLID BRASS
BZ332SLSS	STANDARD LID / STAINLESS STEEL
BZ332CLSS	CARPET LID / STAINLESS STEEL



SUPER POCKET BRACKET KIT (BRK102)



1/2" AND 3/4" COMBINATION KNOCKOUTS
(1) PLACE TYPICAL ON OPPOSING SIDES

1/2", 3/4", 1", AND 1-1/4" COMBINATION
KNOCKOUTS (2) PLACES TYPICAL ON
OPPOSING SIDES

APPROVALS

DATE

DRAWN

JM

08/04/11

CUSTOMER APPROVAL



ALL DIMENSIONS ARE FOR
REFERENCE ONLY. UNLESS
OTHERWISE SPECIFIED ALL
DIMENSIONS ARE IN INCHES.

FINISH

ELECTRO DEPOSITED CLEAR ZINC

MATERIAL

BACK BOX: 14 GAUGE CRS
BRACKETS: 16 GAUGE GALVANEAL

ITEM:

BRK102BBX

DESCRIPTION:

6" DEEP BACK BOX WITH SUPER POCKET PANEL
BRACKETS. USE WITH FULL SIZE BEZEL TO MAKE
SUPER POCKET.

REV

1

SHEET

1 OF 1