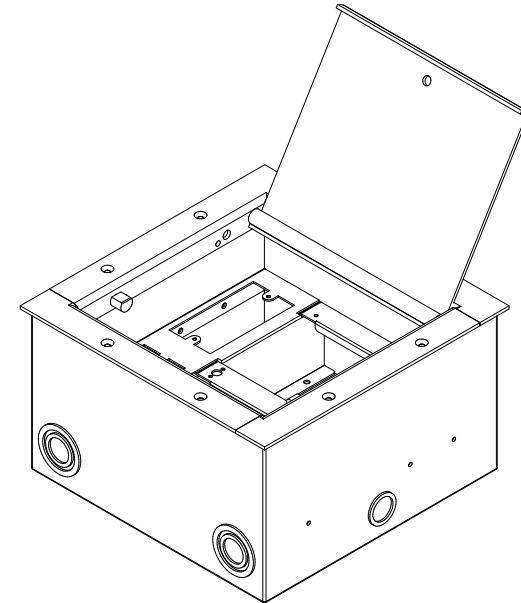
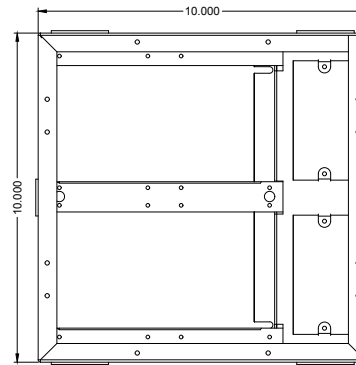
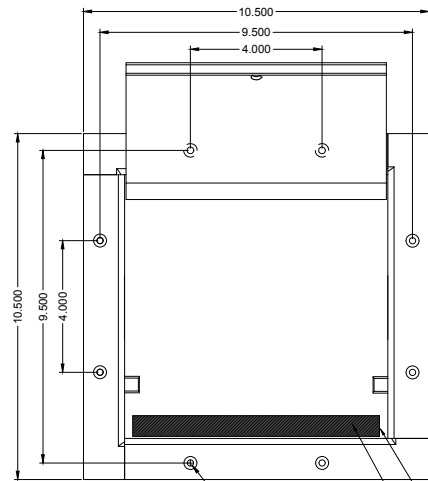


# SUPER POCKET

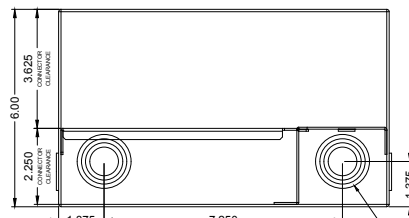
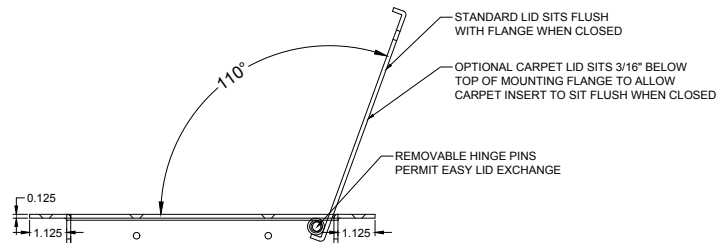
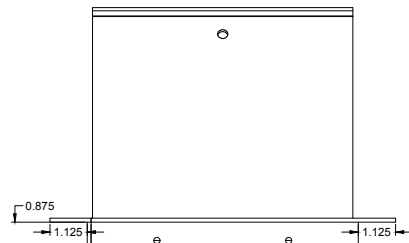
132 / 232 / 332



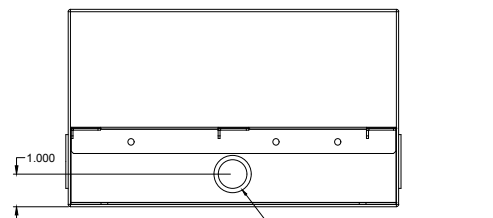
Ø0.250 TYP. OF 8  
(COUNTERSUNK FOR #4 SCREWS)

3/8" OPEN SLOT ALLOWS  
CABLES TO EXIT WHEN LID IS CLOSE

HINGED SLOT CLOSURE BLOCKS  
THE OPENING WHEN NOT IN USE



1/2", 3/4", 1", AND 1-1/4" COMBINATION  
KNOCKOUTS (2) PLACES TYPICAL ON  
OPPOSING SIDES



1/2" AND 3/4" COMBINATION  
KNOCKOUTS (1) PLACE TYPICAL ON  
OPPOSING SIDES

REVISION: 11/2019

BEZEL/LID FINISH CHOICES:

- Textured Black Electrostatic Powder Coat
- Coppervein Electrostatic Powder Coat
- Solid Brushed Brass
- Solid Brushed Stainless Steel

CAPACITY:

Up to (25) Connectors  
and (2) AC Duplex.  
Compatible with **CONNECTRIX** Panels and Connectors.

DESCRIPTION:

The high capacity Super Stage Pocket System has horizontal panel brackets and a choice of Lid and Finish. The Pocket Body is made from 14ga CRS and mating Bezel/Lid Assembly from 11 ga CRS or half hard Brass or Stainless Steel.

REV  
1  
SHEET  
1 OF 1

ALL DIMENSIONS ARE FOR REFERENCE  
ONLY. ALL DIMENSIONS ARE IN INCHES