

DOUBLEWIDE POCKET

124 / 224 / 324



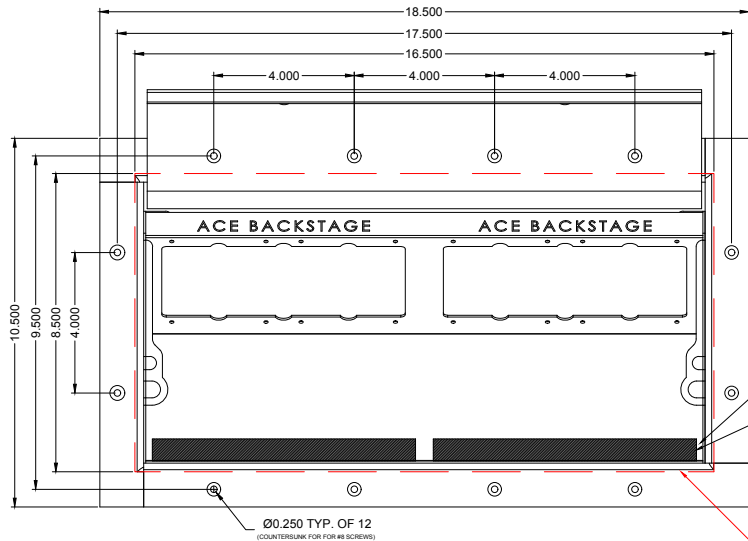
VERTICAL SLANT
STYLE POCKET



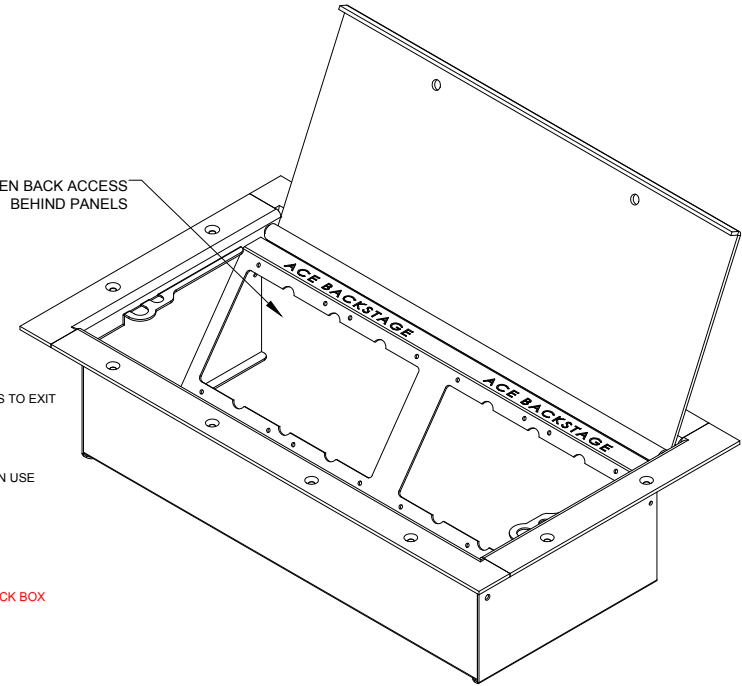
PROUDLY MADE
IN THE U.S.A.



ACE BACKSTAGE CO
Stage Pocket Systems **Connectivity**
www.acebackstage.com



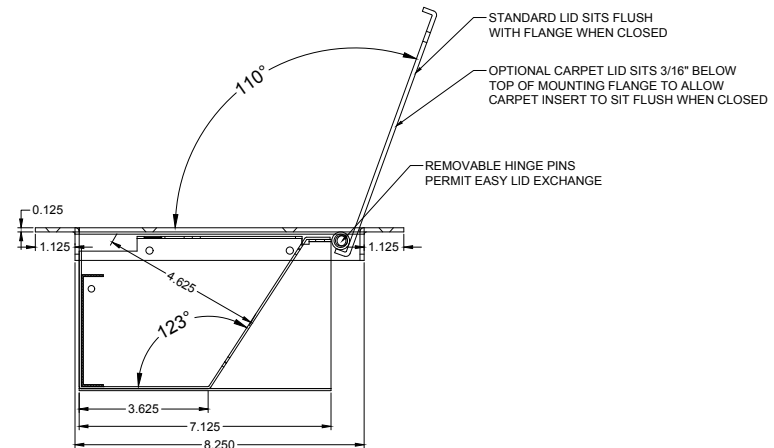
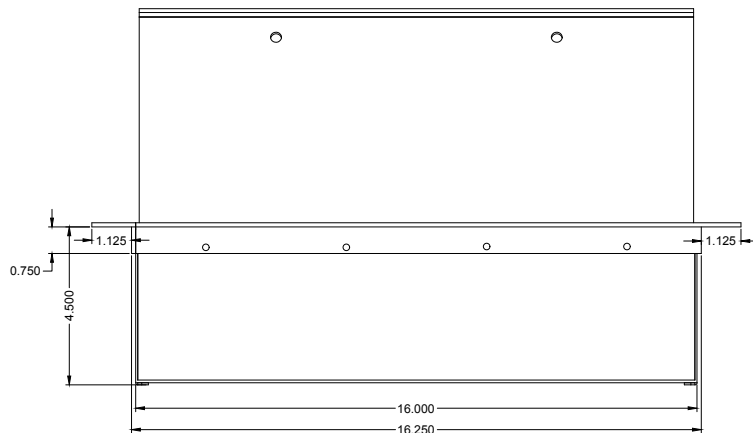
OPEN BACK ACCESS
BEHIND PANELS



3/8" OPEN SLOT ALLOWS CABLES TO EXIT
WHEN LID IS CLOSED

SLOT CLOSURE PULLS UP
AND REST ON CLOSED LID
TO BLOCK OPENING WHEN NOT IN USE

8.50" X 8.50" CUTOUT IN STAGE
FLOOR WHEN MOUNTING WITHOUT A BACK BOX



REVISION: 11/2019

BEZEL/LID FINISH CHOICES:

- Textured Black Electrostatic Powder Coat
- Coppervein Electrostatic Powder Coat
- Solid Brushed Brass
- Solid Brushed Stainless Steel

CAPACITY:

Up to (24) Connectors
OR (18) Connectors and (1) AC Duplex.
Compatible with **CONNECTRIX** Panels and Connectors.

DESCRIPTION:

Heavy Duty Doublewide, Slant Panel, Stage Pocket with choice of Lid and Finish. Pocket Body made from 16ga CRS with 11ga Lid and Flange from CRS or half hard Brass or Stainless Steel.

REV
1
SHEET
1 OF 1