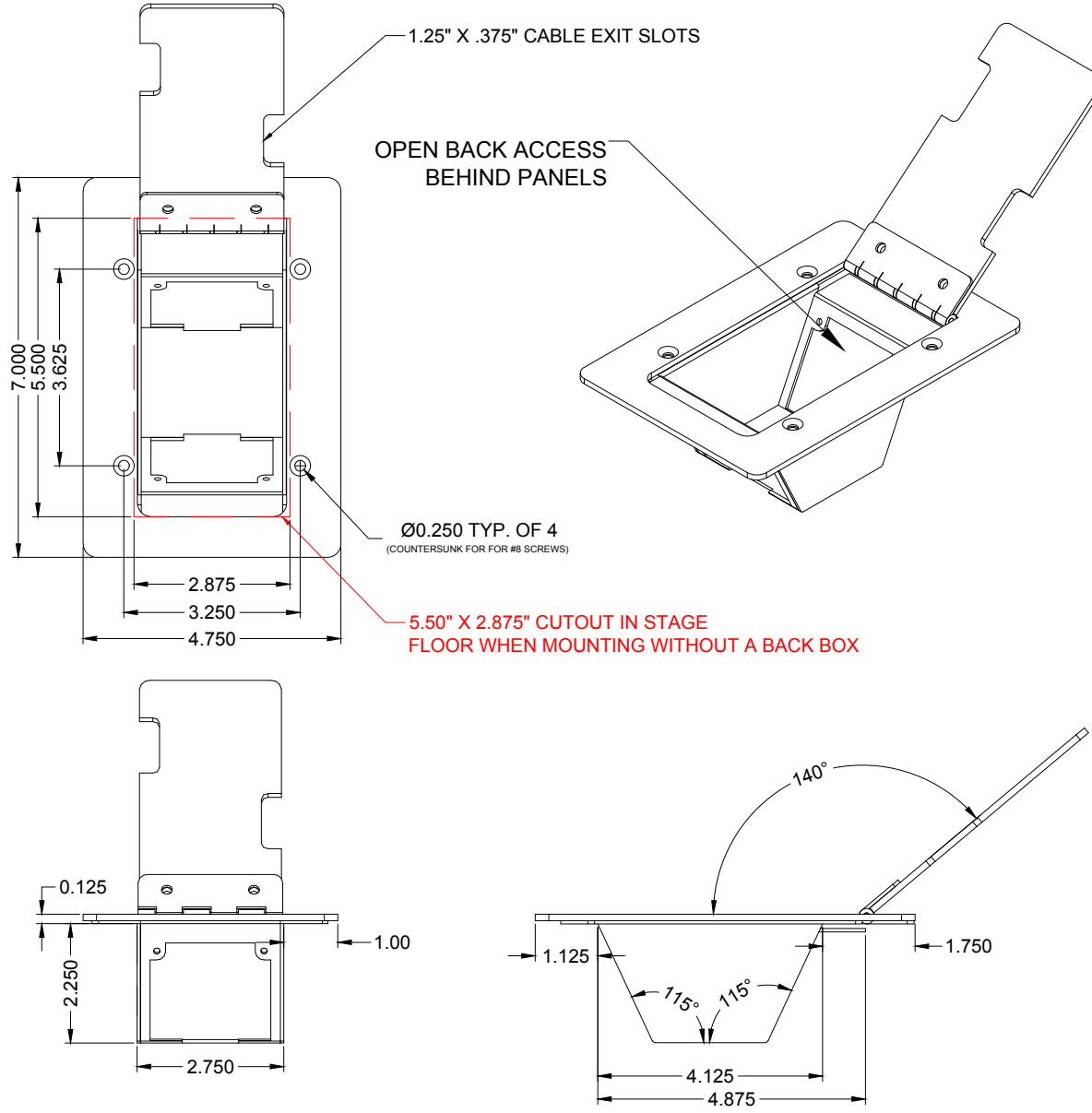


# MINI POCKET

# 025



REVISION: 11/2019	BEZEL/LID FINISH CHOICES:	CAPACITY:	DESCRIPTION:	REV 1
ALL DIMENSIONS ARE FOR REFERENCE ONLY. ALL DIMENSIONS ARE IN INCHES	<ul style="list-style-type: none"> <li>- Textured Black Electrostatic Powder Coat</li> <li>- Coppervein Electrostatic Powder Coat</li> <li>- Solid Brushed Brass</li> <li>- Solid Brushed Stainless Steel</li> </ul>	Up to (4) SMALL Connectors OR (2) LARGE Connectors, OR (1-2) Connectors and (1) Single AC Compatible with <b>CONNECTRIX</b> Panels and Connectors	The compact Mini Stage Pocket is compatible with Mini Back Boxes. Standard Pocket Body is made from 16ga CRS with mating Lid Assembly in 11 ga CRS. Brass and Stainless Steel Lid Assemblies are corrosion resistant half hard 11ga solid metal.	SHEET 1 OF 1