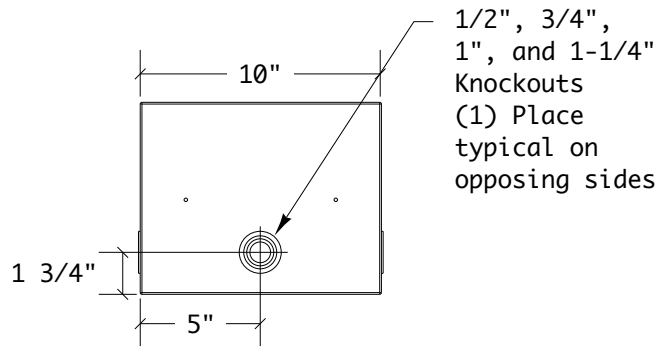
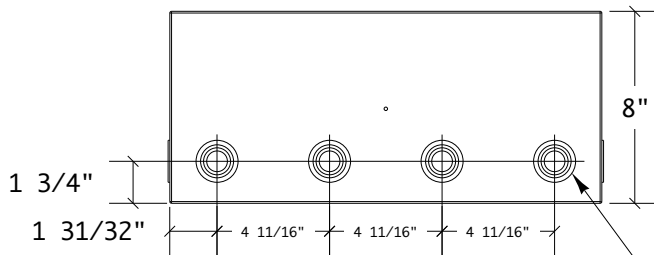
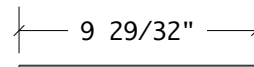
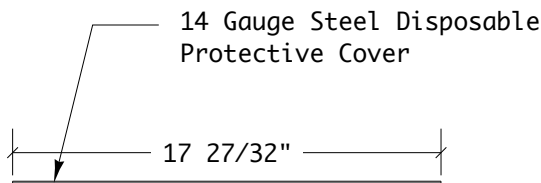
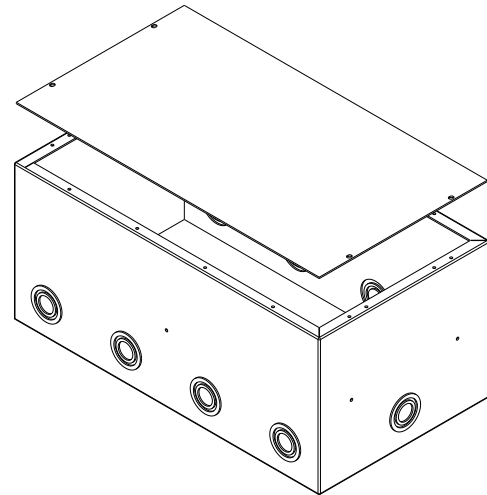
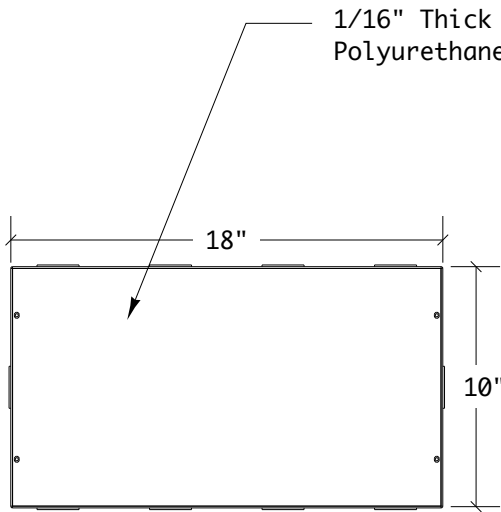




HORIZONTAL PANEL

REVISIONS

ZONE	REV	DESCRIPTION	DATE	APPROVED
------	-----	-------------	------	----------



1/2", 3/4", 1", and 1-1/4" Knockouts
(4) Places typical on opposing sides

<p><i>ALL DIMENSIONS ARE FOR REFERENCE ONLY. UNLESS OTHERWISE SPECIFIED ALL DIMENSIONS ARE IN INCHES.</i></p>	<p>APPROVALS</p>		<p>DATE</p>	<p>ACE BACKSTAGE CO., INC. - STAGE POCKET SYSTEMS 24846 Avenue Rockefeller • Suite 200 • Valencia, CA 91355 Tel: 661-295-5760 • Fax: 661-295-1122 • Web: www.acebackstage.com</p>	
	<p>DRAWN</p>		<p>04/22/08</p>		
	<p>ENGINEER</p>		<p>TITLE</p>		
<p>TREATMENT</p>	<p>CHECKED</p>		<p>#SO-201W SUPER DOUBLE WIDE BACK BOX WET WITH POLYURETHANE ENCAPSULATION</p>		
<p>FINISH</p>	<p>APPROVED</p>		<p>SIZE A</p>	<p>DWG NO. SO-201W.pdf</p>	<p>REV</p>
<p>SIMILAR TO</p>	<p>MARKING SYMBOL</p>	<p>ISSUED</p>	<p>SCALE: 1:8</p>	<p>SUPER DOUBLE WIDE BACK BOX WET</p>	<p>SHEET 1 OF 1</p>