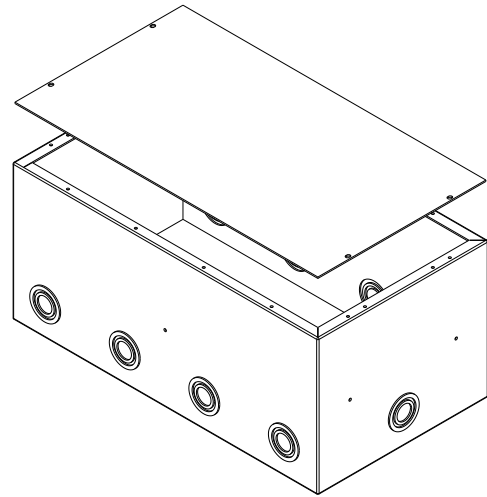
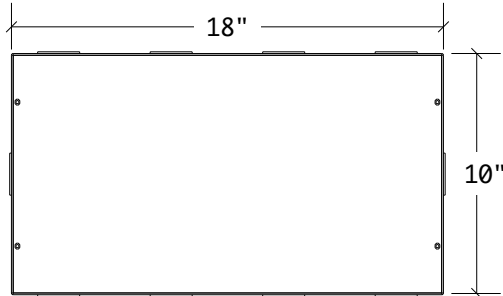




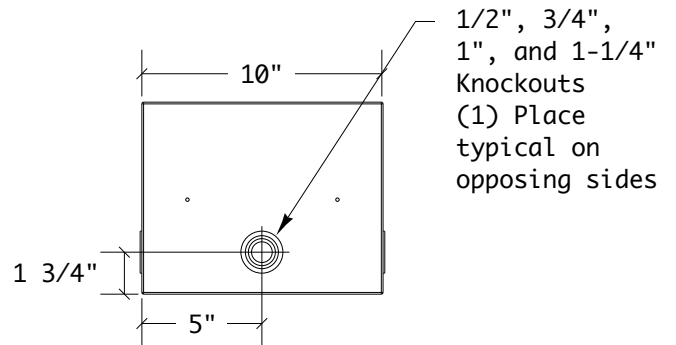
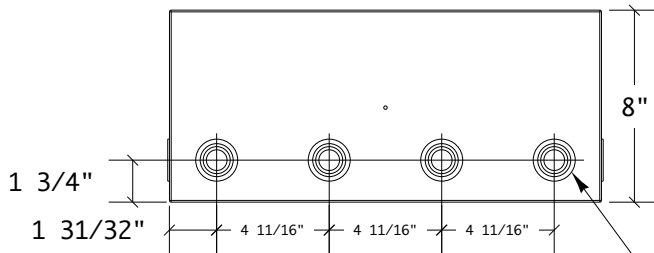
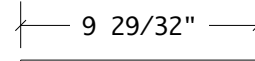
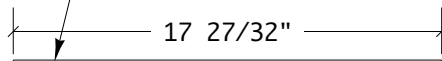
HORIZONTAL PANEL

REVISIONS

ZONE	REV	DESCRIPTION	DATE	APPROVED
------	-----	-------------	------	----------



14 Gauge Steel Disposable Protective Cover



1/2", 3/4", 1", and 1-1/4" Knockouts (4) Places typical on opposing sides

<p>ALL DIMENSIONS ARE FOR REFERENCE ONLY. UNLESS OTHERWISE SPECIFIED ALL DIMENSIONS ARE IN INCHES.</p>	<p>APPROVALS</p>		<p>DATE</p>	<p><b>ACE BACKSTAGE CO., INC. - STAGE POCKET SYSTEMS</b>                  24846 Avenue Rockefeller • Suite 200 • Valencia, CA 91355                  Tel: 661-295-5760 • Fax: 661-295-1122 • Web: www.acebackstage.com</p>
	<p>DRAWN</p>		<p>04/22/08</p>	
	<p>ENGINEER</p>		<p>TITLE</p>	
<p>TREATMENT</p>	<p>CHECKED</p>		<p><b>#SO-201 SUPER DOUBLE WIDE BACK BOX</b></p>	
<p>FINISH</p>	<p>APPROVED</p>		<p>SIZE</p>	<p>DWG NO. <b>SO-201.pdf</b></p>
<p>SIMILAR TO</p>	<p>MARKING SYMBOL</p>	<p>ISSUED</p>	<p>SCALE: 1:8</p>	<p><b>SUPER DOUBLE WIDE BACK BOX</b></p>
			<p>SHEET 1 OF 1</p>	<p>REV</p>