

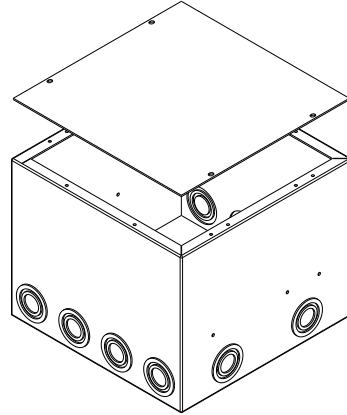
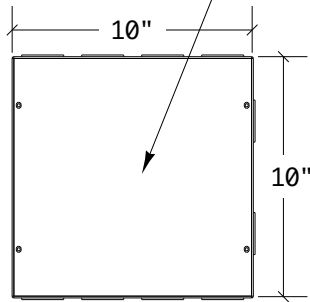


HORIZONTAL PANEL

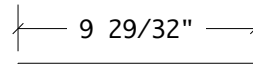
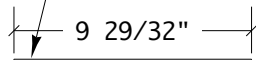
REVISIONS

ZONE	REV	DESCRIPTION	DATE	APPROVED
------	-----	-------------	------	----------

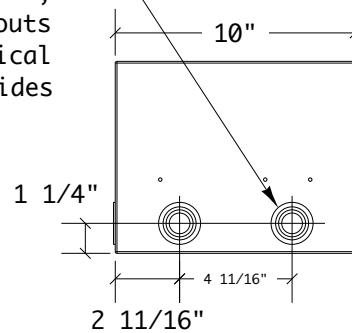
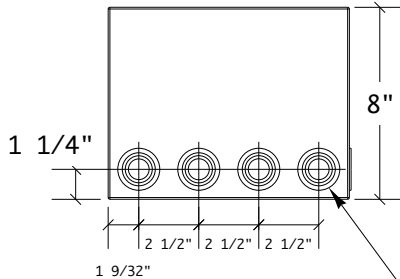
1/16" Thick layer of Polyurethane Encapsulation



14 Gauge Steel Disposable Protective Cover



1/2", 3/4", 1", and 1-1/4" Knockouts (4) Places typical on opposing sides



1/2", 3/4", 1", and 1-1/4" Knockouts (4) Places typical on opposing sides

ALL DIMENSIONS ARE FOR REFERENCE ONLY. UNLESS OTHERWISE SPECIFIED ALL DIMENSIONS ARE IN INCHES.

APPROVALS

DATE



ACE BACKSTAGE CO., INC. - STAGE POCKET SYSTEMS

24846 Avenue Rockefeller • Suite 200 • Valencia, CA 91355
Tel: 661-295-5760 • Fax: 661-295-1122 • Web: www.acebackstage.com

DRAWN

04/22/08

TITLE

#SO-200W SUPER BACK BOX WET WITH POLYURETHANE ENCAPSULATION

ENGINEER

TREATMENT

CHECKED

FINISH

APPROVED

SIZE
A

DWG NO. SO-200W.pdf

REV

SIMILAR TO

MARKING SYMBOL

ISSUED

SCALE: 1:8

SUPER BACK BOX WET

SHEET 1 OF 1