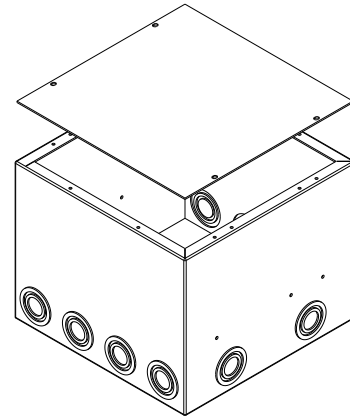
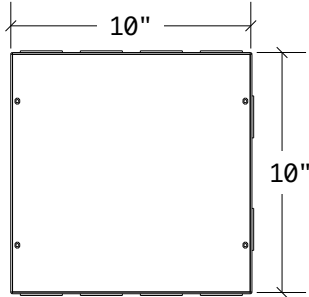




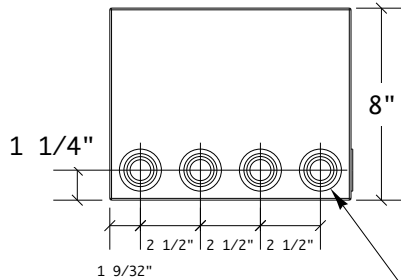
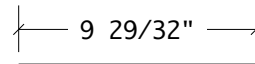
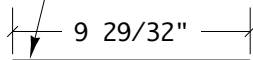
HORIZONTAL PANEL

REVISIONS

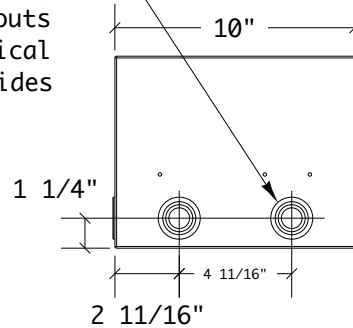
ZONE	REV	DESCRIPTION	DATE	APPROVED
------	-----	-------------	------	----------



14 Gauge Steel Disposable Protective Cover



1/2", 3/4", 1", and 1-1/4" Knockouts
(4) Places typical on opposing sides



1/2", 3/4", 1", and 1-1/4" Knockouts
(4) Places typical on opposing sides

ALL DIMENSIONS ARE FOR REFERENCE ONLY. UNLESS OTHERWISE SPECIFIED ALL DIMENSIONS ARE IN INCHES.

APPROVALS

DATE



ACE BACKSTAGE CO., INC. - STAGE POCKET SYSTEMS
24846 Avenue Rockefeller • Suite 200 • Valencia, CA 91355
Tel: 661-295-5760 • Fax: 661-295-1122 • Web: www.acebackstage.com

DRAWN	04/22/08
ENGINEER	

TITLE

#SO-200 SUPER BACK BOX

TREATMENT	CHECKED
-----------	---------

FINISH	APPROVED
--------	----------

SIZE A	DWG NO. SO-200.pdf	REV
------------------	------------------------------	-----

SIMILAR TO	MARKING SYMBOL	ISSUED
------------	----------------	--------

SCALE: 1:8	SUPER BACK BOX	SHEET 1 OF 1
-------------------	-----------------------	----------------------------