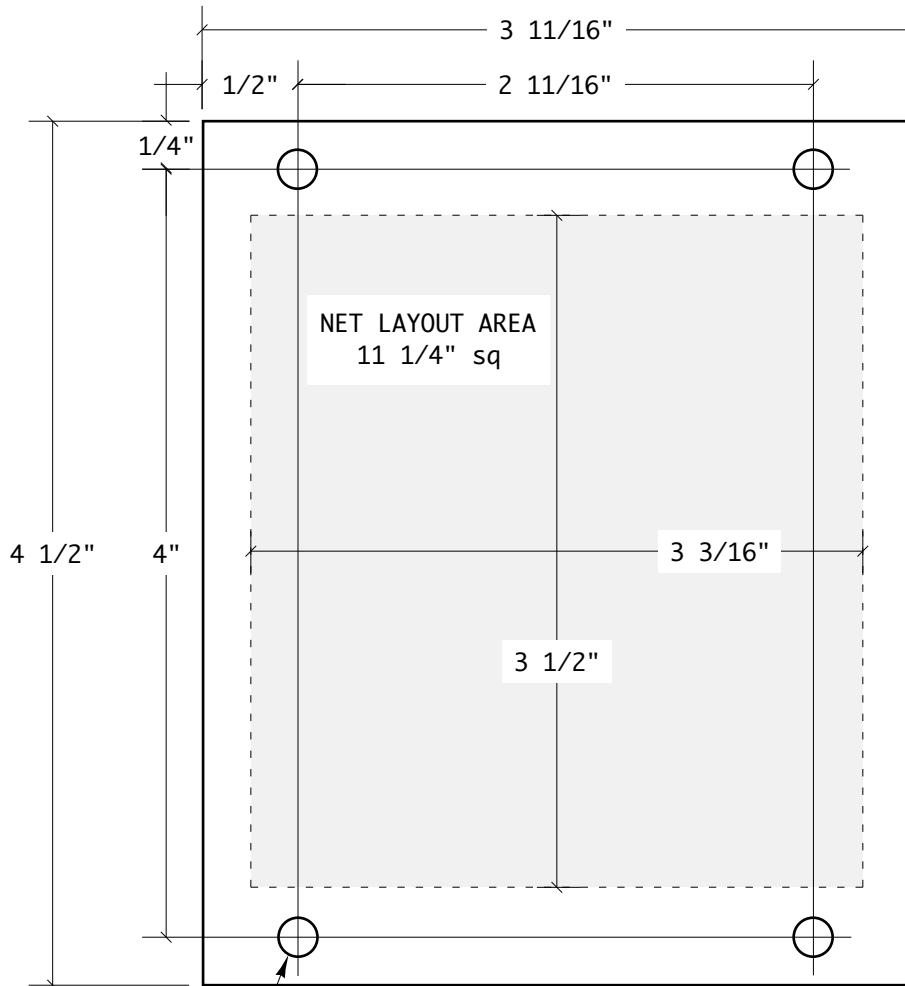


SWITCHCRAFT® SYSTEM


REVISIONS

ZONE	REV	DESCRIPTION	DATE	APPROVED
------	-----	-------------	------	----------

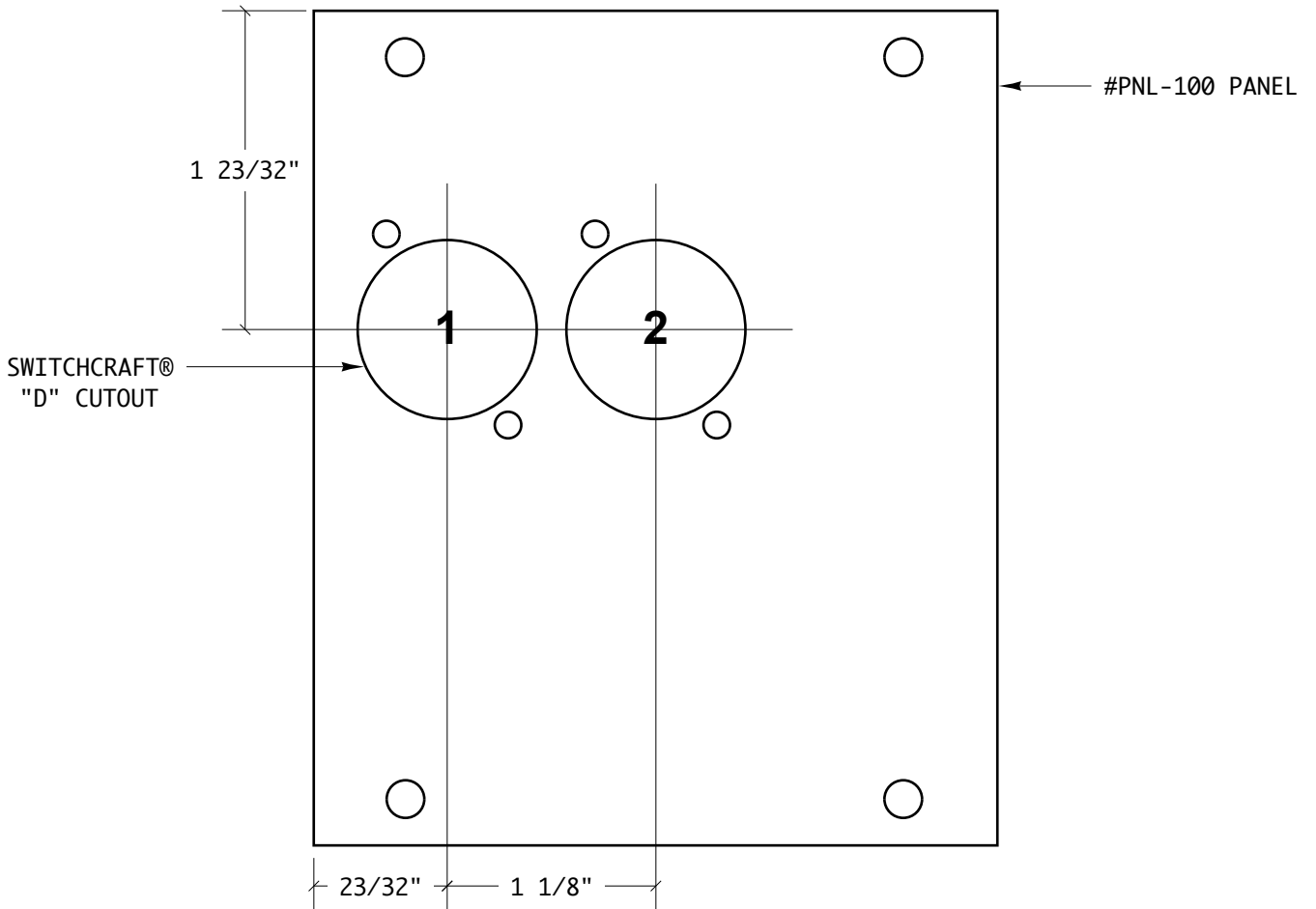



13/64" Diameter  
(4) Places

Made from high strength aluminum alloy (6061-T6), 1/16" thick. Finished with oven-cured semi-gloss black powder coat.

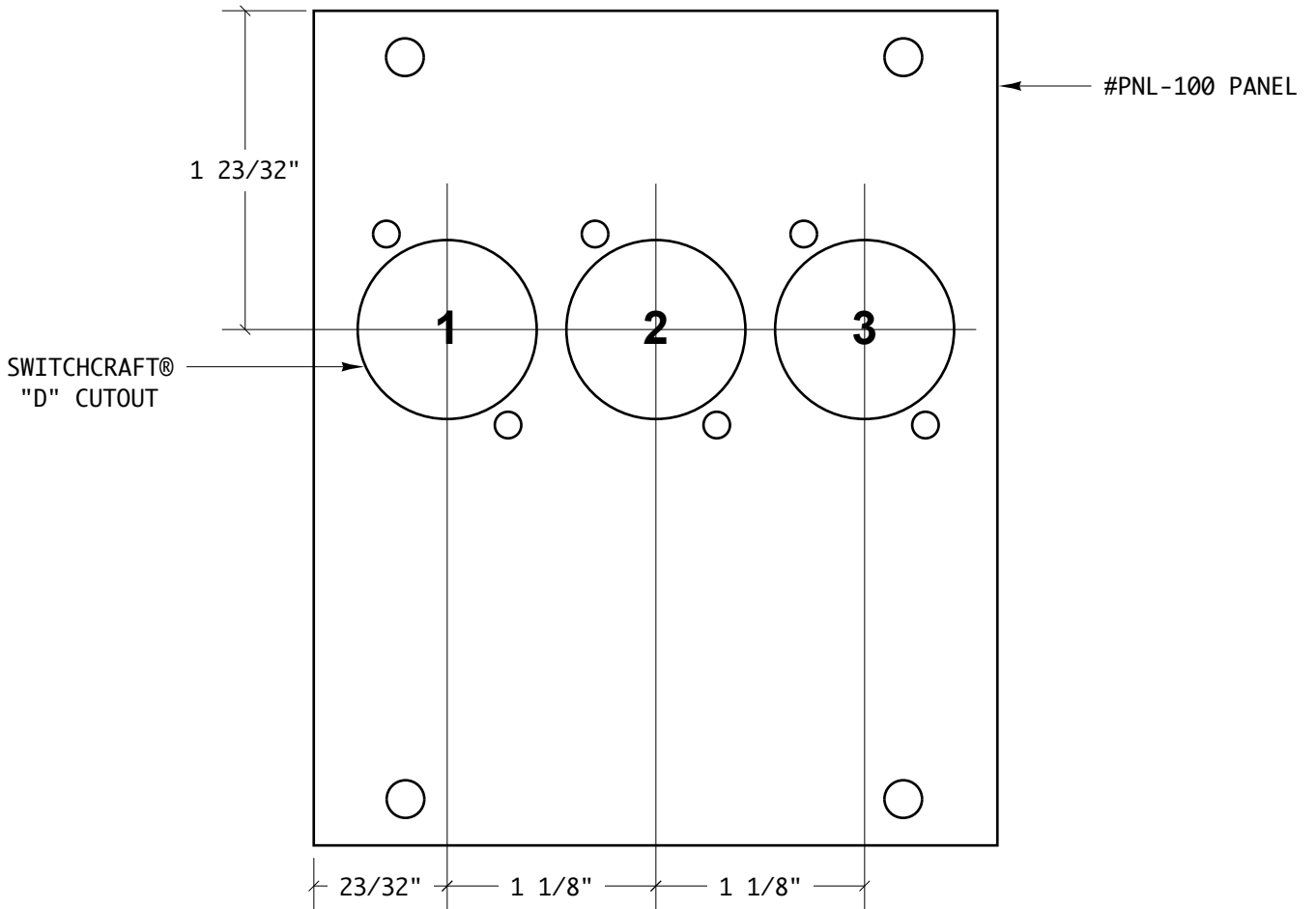
<p><i>ALL DIMENSIONS ARE FOR REFERENCE ONLY. UNLESS OTHERWISE SPECIFIED ALL DIMENSIONS ARE IN INCHES.</i></p>	APPROVALS		DATE	 <p><b>ACE BACKSTAGE CO., INC. - STAGE POCKET SYSTEMS</b> 24846 Avenue Rockefeller • Suite 200 • Valencia, CA 91355 Tel: 661-295-5760 • Fax: 661-295-1122 • Web: www.acebackstage.com</p>
	DRAWN		04/22/08	
	ENGINEER			
TREATMENT	CHECKED			TITLE
FINISH	APPROVED			<p><b>#PSW-100 SWITCHCRAFT® PANEL, BLANK</b></p>
SIMILAR TO	MARKING SYMBOL	ISSUED		<p>SIZE <b>A</b> DWG NO. <b>PSW-100.pdf</b> REV</p>
			SCALE: 1:1	<p>SWITCHCRAFT® POCKET PANEL SHEET 1 OF 1</p>


SWITCHCRAFT® SYSTEM	REVISIONS			
	ZONE	REV	DESCRIPTION	DATE



<small>ALL DIMENSIONS ARE FOR REFERENCE ONLY. UNLESS OTHERWISE SPECIFIED ALL DIMENSIONS ARE IN INCHES.</small>	APPROVALS	DATE	 <b>ACE BACKSTAGE CO., INC. - STAGE POCKET SYSTEMS</b> 24846 Avenue Rockefeller • Suite 200 • Valencia, CA 91355 Tel: 661-295-5760 • Fax: 661-295-1122 • Web: www.acebackstage.com	
	DRAWN	04/22/08		
	ENGINEER			
TREATMENT	CHECKED		TITLE	
FINISH	APPROVED		<b>#PSW-102 SWITCHCRAFT® PANEL, (2) SWITCHCRAFT® MOUNTS</b>	
SIMILAR TO	MARKING SYMBOL	ISSUED	SIZE <b>A</b> DWG NO. <b>PSW-102.pdf</b> REV	
		SCALE: 1:1	SWITCHCRAFT® POCKET PANEL	SHEET 1 OF 1

SWITCHCRAFT® SYSTEM	REVISIONS			
	ZONE	REV	DESCRIPTION	DATE

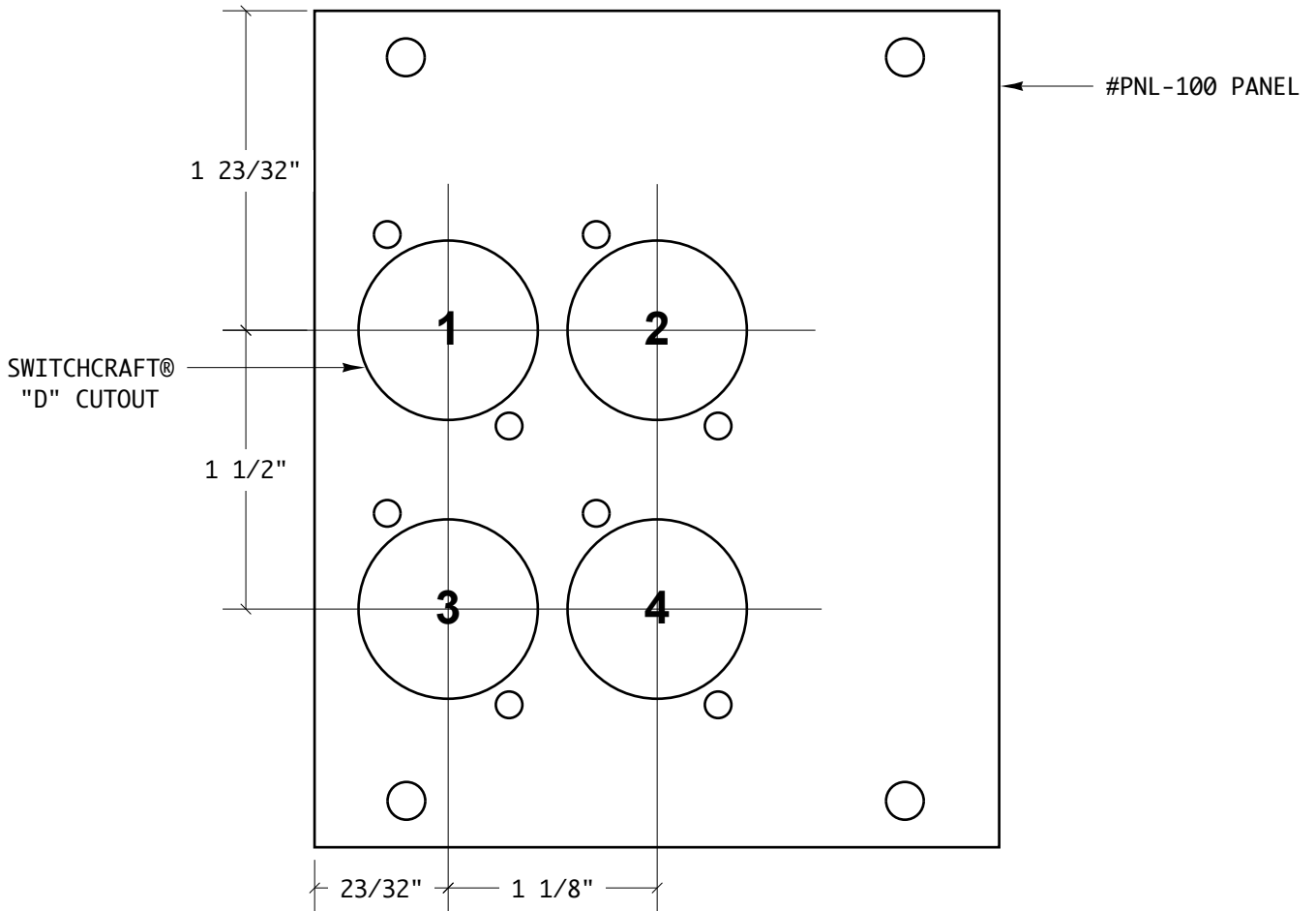


<small>ALL DIMENSIONS ARE FOR REFERENCE ONLY. UNLESS OTHERWISE SPECIFIED ALL DIMENSIONS ARE IN INCHES.</small>	APPROVALS	DATE		<b>ACE BACKSTAGE CO., INC. - STAGE POCKET SYSTEMS</b> 24846 Avenue Rockefeller • Suite 200 • Valencia, CA 91355 Tel: 661-295-5760 • Fax: 661-295-1122 • Web: www.acebackstage.com		
	DRAWN	04/22/08		TITLE	<b>#PSW-103 SWITCHCRAFT® PANEL, (3) SWITCHCRAFT® MOUNTS</b>	
TREATMENT	CHECKED		SIZE	DWG NO.	REV	
FINISH	APPROVED		A	PSW-103.pdf		
SIMILAR TO	MARKING SYMBOL	ISSUED	SCALE:	1:1	SWITCHCRAFT® POCKET PANEL	SHEET 1 OF 1

SWITCHCRAFT® SYSTEM

REVISIONS

ZONE	REV	DESCRIPTION	DATE	APPROVED
------	-----	-------------	------	----------



ALL DIMENSIONS ARE FOR REFERENCE ONLY. UNLESS OTHERWISE SPECIFIED ALL DIMENSIONS ARE IN INCHES.

APPROVALS

DATE



**ACE BACKSTAGE CO., INC. - STAGE POCKET SYSTEMS**  
 24846 Avenue Rockefeller • Suite 200 • Valencia, CA 91355  
 Tel: 661-295-5760 • Fax: 661-295-1122 • Web: www.acebackstage.com

DRAWN

04/22/08

ENGINEER

TITLE

**#PSW-104 SWITCHCRAFT® PANEL,  
 (4) SWITCHCRAFT® MOUNTS**

TREATMENT

CHECKED

FINISH

APPROVED

SIZE  
A

DWG NO.

PSW-104.pdf

REV

SIMILAR TO

MARKING SYMBOL

ISSUED

SCALE: 1:1

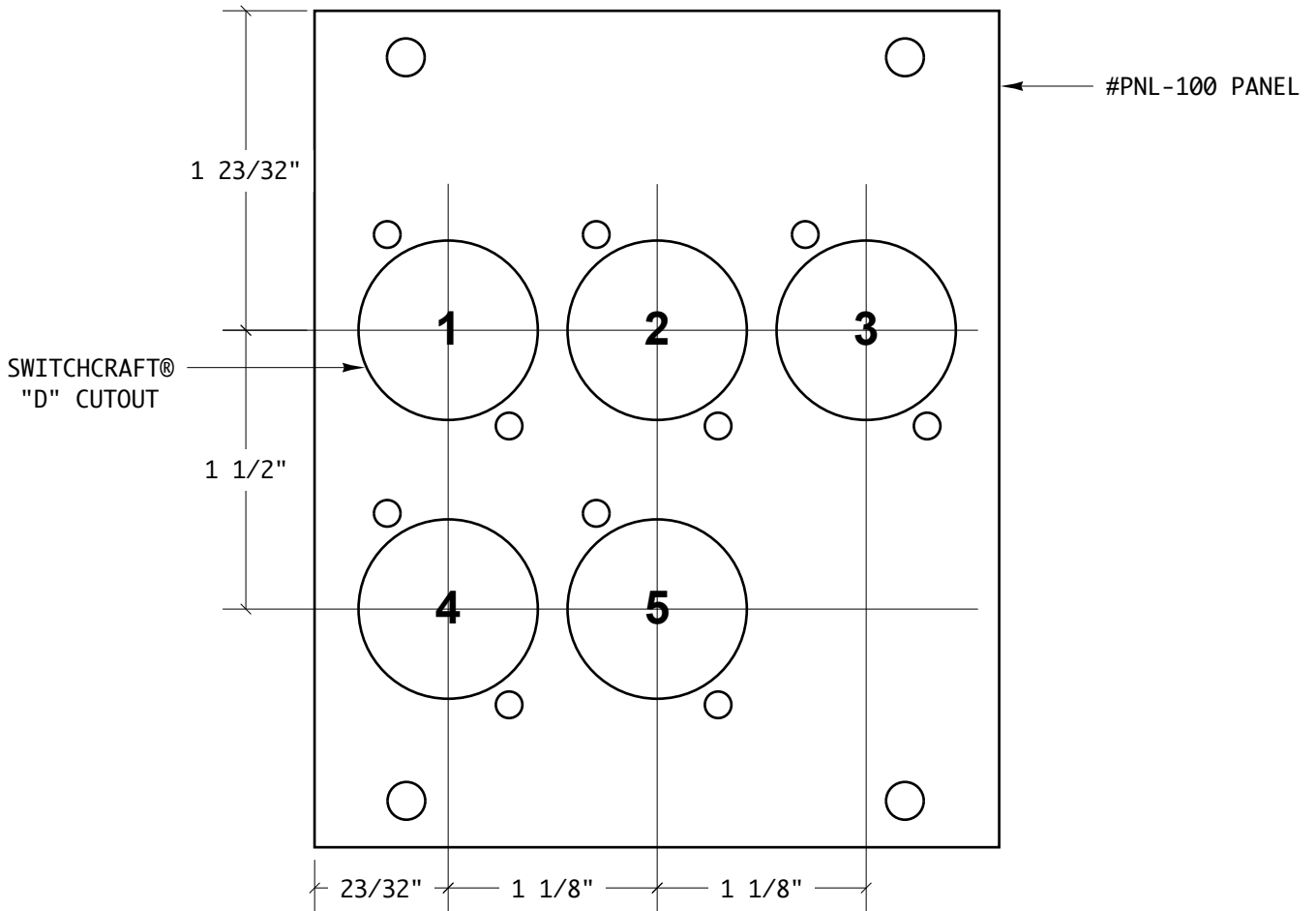
SWITCHCRAFT® POCKET PANEL

SHEET 1 OF 1

SWITCHCRAFT® SYSTEM

REVISIONS

ZONE	REV	DESCRIPTION	DATE	APPROVED
------	-----	-------------	------	----------



ALL DIMENSIONS ARE FOR REFERENCE ONLY. UNLESS OTHERWISE SPECIFIED ALL DIMENSIONS ARE IN INCHES.

APPROVALS

DATE



**ACE BACKSTAGE CO., INC. - STAGE POCKET SYSTEMS**  
 24846 Avenue Rockefeller • Suite 200 • Valencia, CA 91355  
 Tel: 661-295-5760 • Fax: 661-295-1122 • Web: www.acebackstage.com

DRAWN

04/22/08

ENGINEER

TITLE

**#PSW-105 SWITCHCRAFT® PANEL,  
 (5) SWITCHCRAFT® MOUNTS**

TREATMENT

CHECKED

FINISH

APPROVED

SIZE  
A

DWG NO. PSW-105.pdf

REV

SIMILAR TO

MARKING SYMBOL

ISSUED

SCALE: 1:1

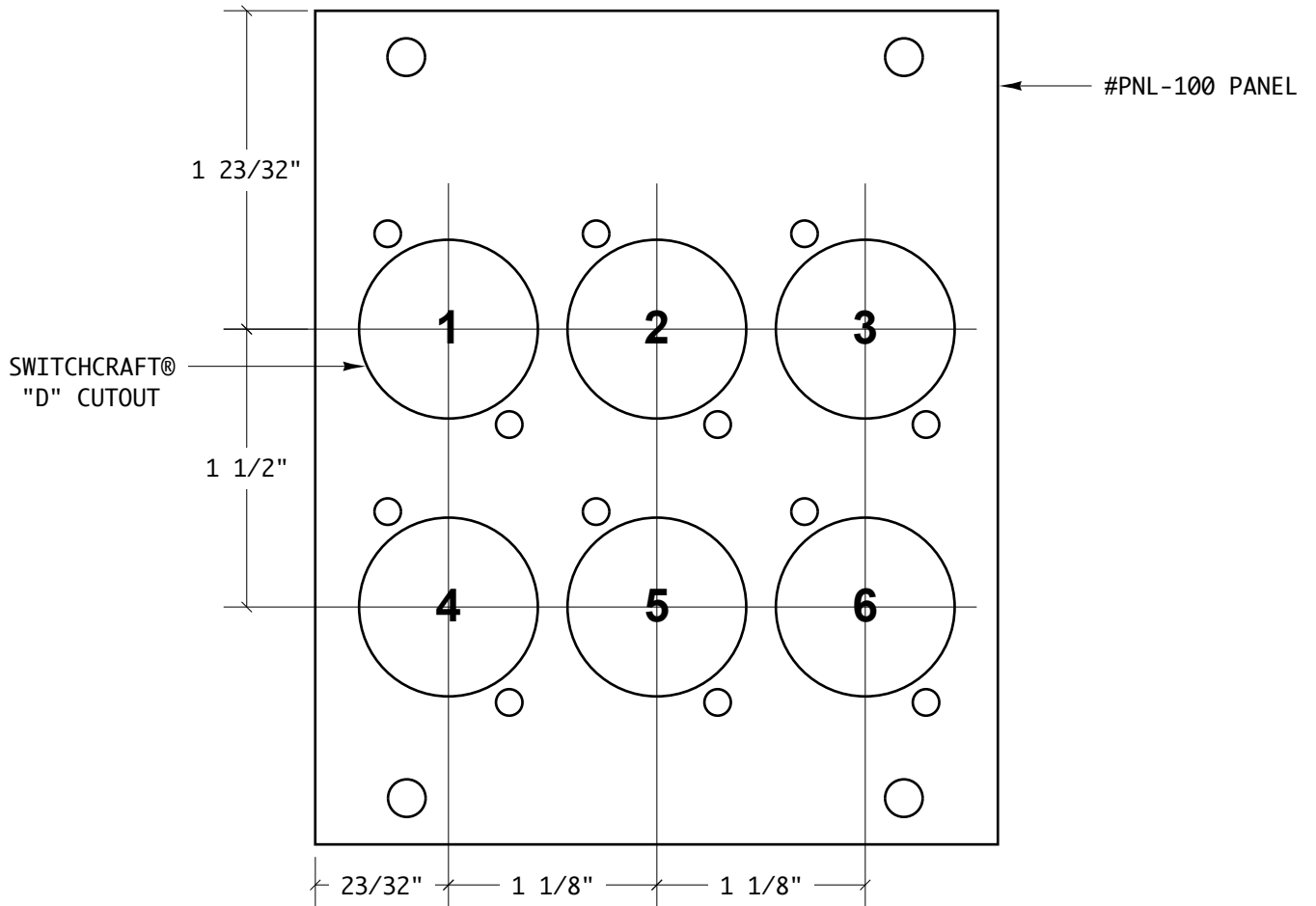
SWITCHCRAFT® POCKET PANEL

SHEET 1 OF 1

SWITCHCRAFT® SYSTEM

REVISIONS

ZONE	REV	DESCRIPTION	DATE	APPROVED
------	-----	-------------	------	----------



ALL DIMENSIONS ARE FOR REFERENCE ONLY. UNLESS OTHERWISE SPECIFIED ALL DIMENSIONS ARE IN INCHES.

APPROVALS

DATE



**ACE BACKSTAGE CO., INC. - STAGE POCKET SYSTEMS**  
 24846 Avenue Rockefeller • Suite 200 • Valencia, CA 91355  
 Tel: 661-295-5760 • Fax: 661-295-1122 • Web: www.acebackstage.com

DRAWN

04/22/08

ENGINEER

TITLE

**#PSW-106 SWITCHCRAFT® PANEL,  
(6) SWITCHCRAFT® MOUNTS**

TREATMENT

CHECKED

FINISH

APPROVED

SIZE  
**A**

DWG NO.

PSW-106.pdf

REV

SIMILAR TO

MARKING SYMBOL

ISSUED

SCALE: 1:1

SWITCHCRAFT® POCKET PANEL

SHEET 1 OF 1