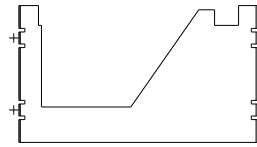




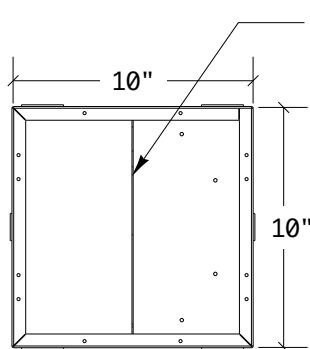
VERTICAL SLANT PANEL

REVISIONS

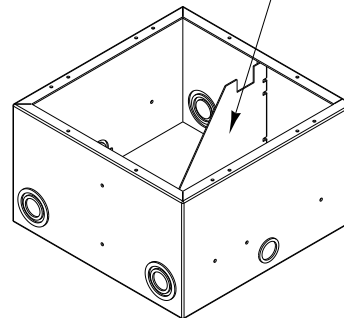
ZONE	REV	DESCRIPTION	DATE	APPROVED
------	-----	-------------	------	----------



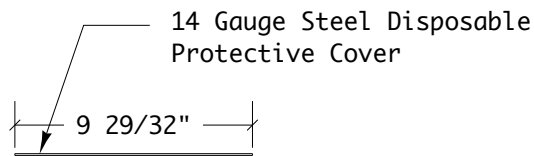
#ISOBRKT6  
AC Isolation Bracket  
installed in the center  
of Back Box



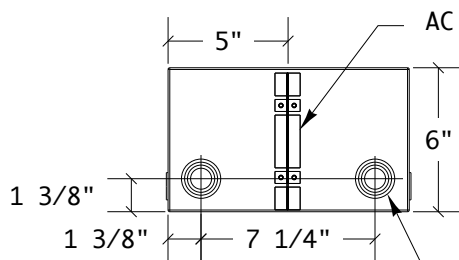
AC Isolation Bracket



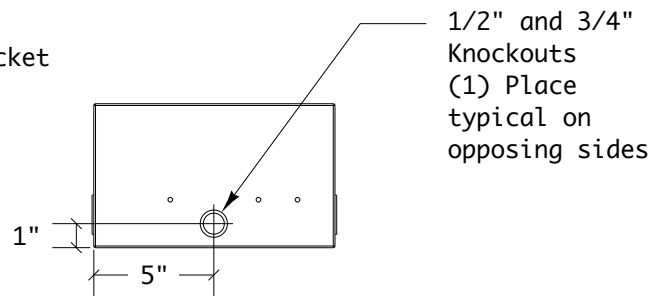
#102BBX  
Back Box



14 Gauge Steel Disposable  
Protective Cover



AC Isolation Bracket



1/2" and 3/4"  
Knockouts  
(1) Place  
typical on  
opposing sides

1/2", 3/4", 1",  
and 1-1/4" Knockouts  
(2) Places typical  
on opposing sides

<p><i>ALL DIMENSIONS ARE FOR REFERENCE ONLY. UNLESS OTHERWISE SPECIFIED ALL DIMENSIONS ARE IN INCHES.</i></p>	<p>APPROVALS</p>		<p>DATE</p>	<p><b>ACE BACKSTAGE CO., INC. - STAGE POCKET SYSTEMS</b> 24846 Avenue Rockefeller • Suite 200 • Valencia, CA 91355 Tel: 661-295-5760 • Fax: 661-295-1122 • Web: www.acebackstage.com</p>	
	<p>DRAWN</p>		<p>04/22/08</p>		
	<p>ENGINEER</p>		<p>TITLE</p>		
<p>TREATMENT</p>	<p>CHECKED</p>		<p><b>#ISO102BBX FULL STAGE POCKET AC ISOLATED BACK BOX</b></p>		
<p>FINISH</p>	<p>APPROVED</p>		<p>SIZE <b>A</b></p>	<p>DWG NO. <b>ISO102BBX.pdf</b></p>	<p>REV</p>
<p>SIMILAR TO</p>	<p>MARKING SYMBOL</p>	<p>ISSUED</p>	<p>SCALE: <b>1:8</b></p>	<p><b>AC ISOLATED BACK BOX</b></p>	<p>SHEET <b>1</b> OF <b>1</b></p>

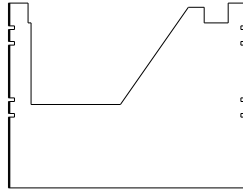


VERTICAL SLANT PANEL

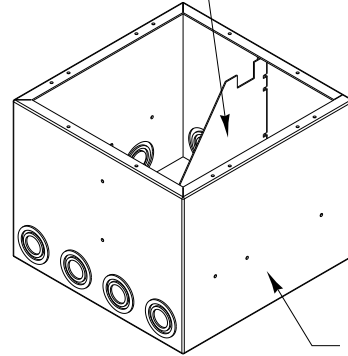
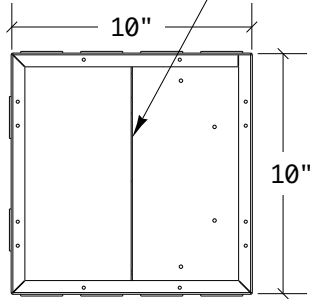
REVISIONS

ZONE	REV	DESCRIPTION	DATE	APPROVED
------	-----	-------------	------	----------

AC Isolation Bracket

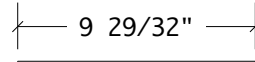
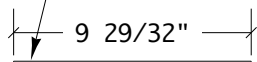


#ISOBRKT8  
AC Isolation Bracket  
installed in the center  
of Back Box

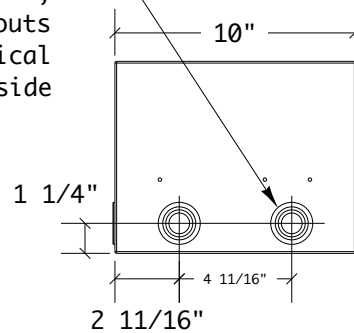
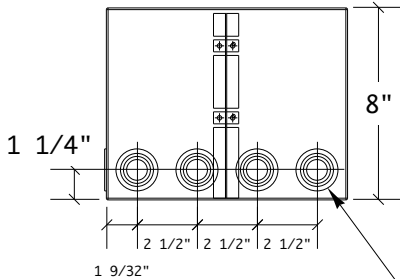


#S0-200  
Back Box

14 Gauge Steel Disposable  
Protective Cover



1/2", 3/4", 1",  
and 1-1/4" Knockouts  
(2) Places typical  
on one side



1/2", 3/4", 1",  
and 1-1/4" Knockouts  
(4) Places typical  
on opposing sides

ALL DIMENSIONS ARE FOR  
REFERENCE ONLY. UNLESS  
OTHERWISE SPECIFIED ALL  
DIMENSIONS ARE IN INCHES.

APPROVALS

DATE



**ACE BACKSTAGE CO., INC. - STAGE POCKET SYSTEMS**  
24846 Avenue Rockefeller • Suite 200 • Valencia, CA 91355  
Tel: 661-295-5760 • Fax: 661-295-1122 • Web: www.acebackstage.com

DRAWN

04/22/08

TITLE

**#ISO1028BBX FULL STAGE POCKET  
AC ISOLATED EXTRA DEEP BACK BOX**

ENGINEER

TREATMENT

CHECKED

FINISH

APPROVED

SIZE  
**A**

DWG NO.

**ISO1028BBX.pdf**

REV

SIMILAR TO

MARKING SYMBOL

ISSUED

SCALE: 1:8

EXTRA DEEP AC ISOLATED BACK BOX

SHEET 1 OF 1

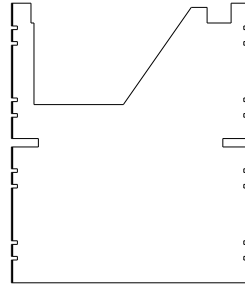
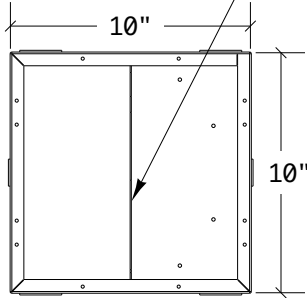


VERTICAL SLANT PANEL

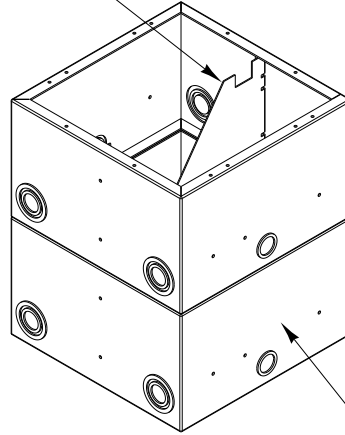
REVISIONS

ZONE	REV	DESCRIPTION	DATE	APPROVED
------	-----	-------------	------	----------

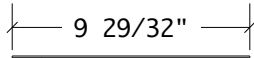
AC Isolation Bracket



#ISOBRKT12  
AC Isolation Bracket installed  
in the center of Back Box

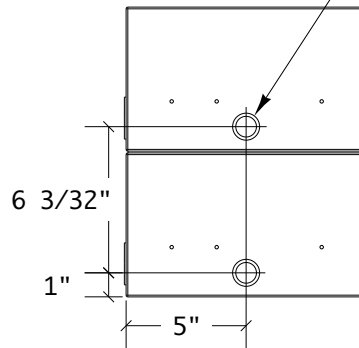
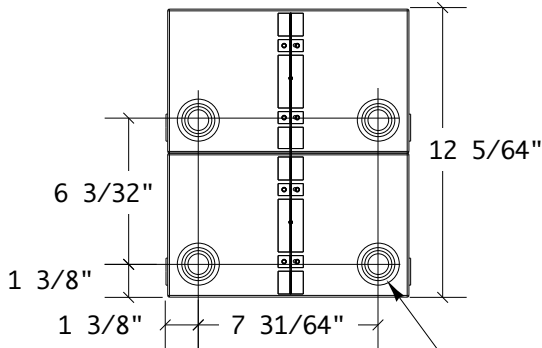


#102DDBBX  
Back Box



14 Gauge Steel Disposable  
Protective Cover

1/2" and 3/4"  
Knockouts  
(2) Places  
typical on  
opposing sides



1/2", 3/4", 1",  
and 1-1/4" Knockouts  
(4) Places typical  
on opposing sides

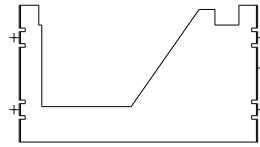
<p><i>ALL DIMENSIONS ARE FOR REFERENCE ONLY. UNLESS OTHERWISE SPECIFIED ALL DIMENSIONS ARE IN INCHES.</i></p>	<p><b>APPROVALS</b></p>		<p><b>DATE</b></p>	<p><b>ACE BACKSTAGE CO., INC. - STAGE POCKET SYSTEMS</b> 24846 Avenue Rockefeller • Suite 200 • Valencia, CA 91355 Tel: 661-295-5760 • Fax: 661-295-1122 • Web: www.acebackstage.com</p>	
	<p>DRAWN</p>		<p>04/22/08</p>		
	<p>ENGINEER</p>		<p>TITLE</p>		
<p>TREATMENT</p>	<p>CHECKED</p>		<p><b>#ISO102DDBBX FULL STAGE POCKET AC ISOLATED DOUBLE DEEP BACK BOX</b></p>		
<p>FINISH</p>	<p>APPROVED</p>		<p>SIZE <b>A</b></p>	<p>DWG NO. <b>ISO102DDBBX.pdf</b></p>	<p>REV</p>
<p>SIMILAR TO</p>	<p>MARKING SYMBOL</p>	<p>ISSUED</p>	<p>SCALE: <b>1:8</b></p>	<p><b>DOUBLE DEEP AC ISOLATED BACK BOX</b></p>	<p>SHEET <b>1</b> OF <b>1</b></p>



VERTICAL SLANT PANEL

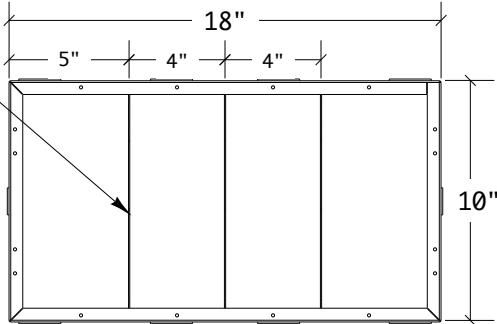
REVISIONS

ZONE	REV	DESCRIPTION	DATE	APPROVED
------	-----	-------------	------	----------

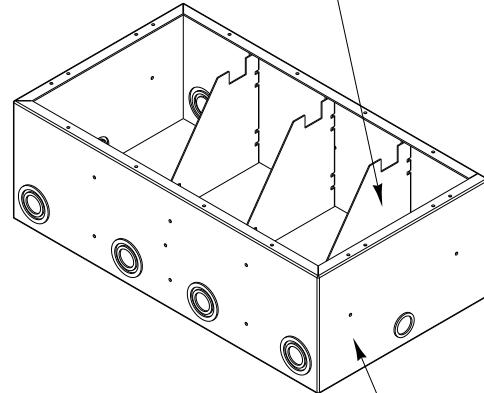
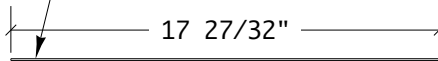


#ISOBRKT6  
AC Isolation Bracket(s)  
installed in up to three  
locations in Back Box

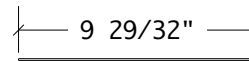
AC Isolation Brackets



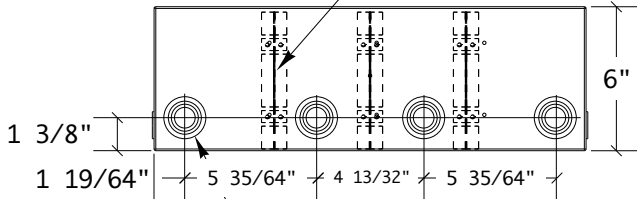
14 Gauge Steel Disposable  
Protective Cover



#104BBX  
Back Box

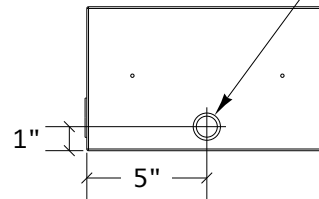


AC Isolation Brackets



1/2", 3/4", 1",  
and 1-1/4" Knockouts  
(2) Places typical  
on opposing sides

1/2" and 3/4"  
Knockouts  
(1) Place  
typical on  
opposing sides



ALL DIMENSIONS ARE FOR  
REFERENCE ONLY. UNLESS  
OTHERWISE SPECIFIED ALL  
DIMENSIONS ARE IN INCHES.

APPROVALS

DATE



**ACE BACKSTAGE CO., INC. - STAGE POCKET SYSTEMS**  
24846 Avenue Rockefeller • Suite 200 • Valencia, CA 91355  
Tel: 661-295-5760 • Fax: 661-295-1122 • Web: www.acebackstage.com

DRAWN

04/22/08

ENGINEER

TITLE

**#ISO104BBX DOUBLE WIDE STAGE POCKET  
AC ISOLATED BACK BOX**

TREATMENT

CHECKED

FINISH

APPROVED

SIZE  
**A**

DWG NO. **ISO104BBX.pdf**

REV

SIMILAR TO

MARKING SYMBOL

ISSUED

SCALE: **1:8**

**AC ISOLATED BACK BOX**

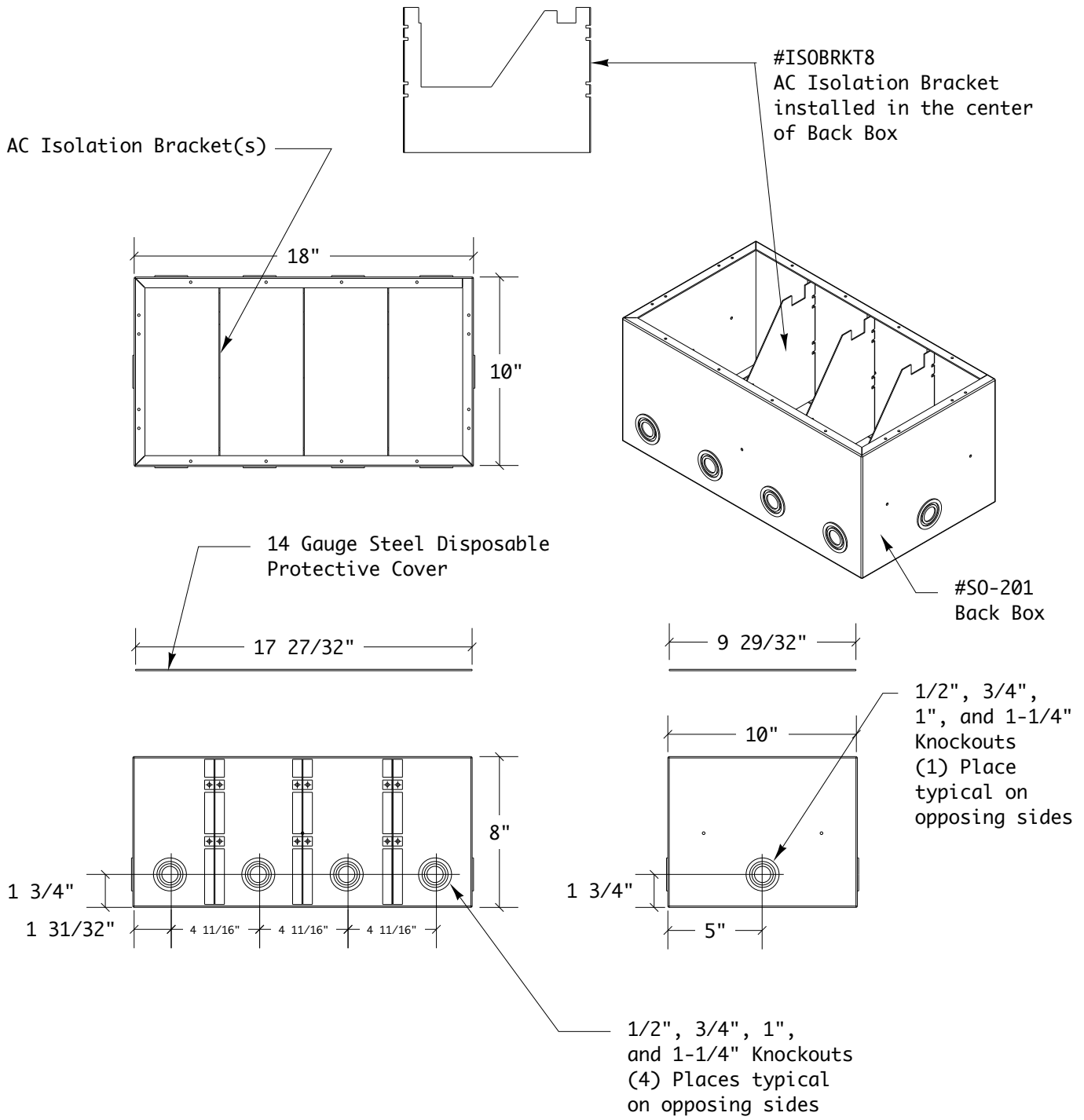
SHEET **1** OF **1**



VERTICAL SLANT PANEL

REVISIONS

ZONE	REV	DESCRIPTION	DATE	APPROVED
------	-----	-------------	------	----------



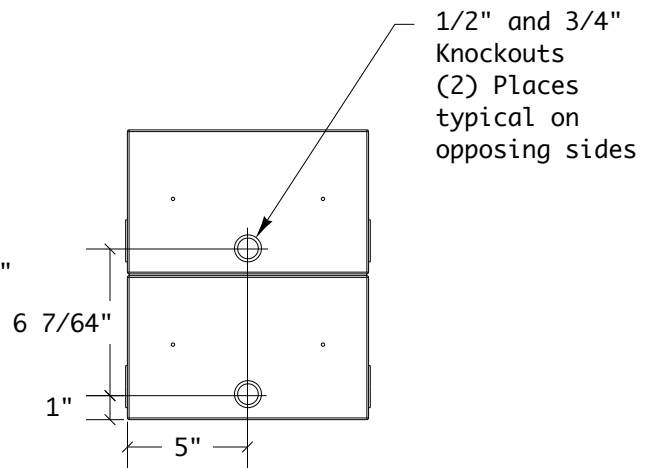
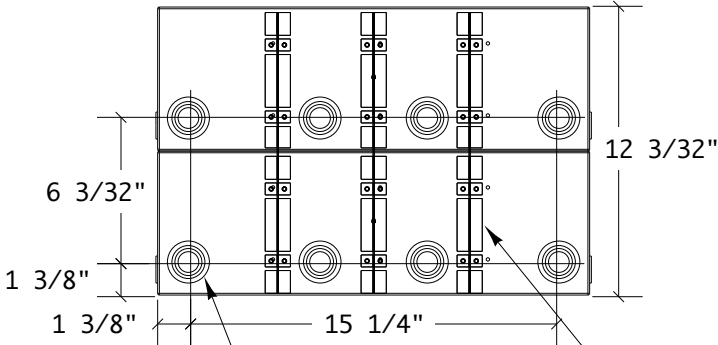
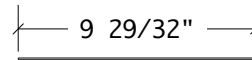
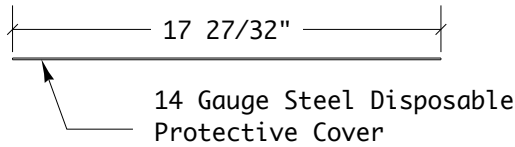
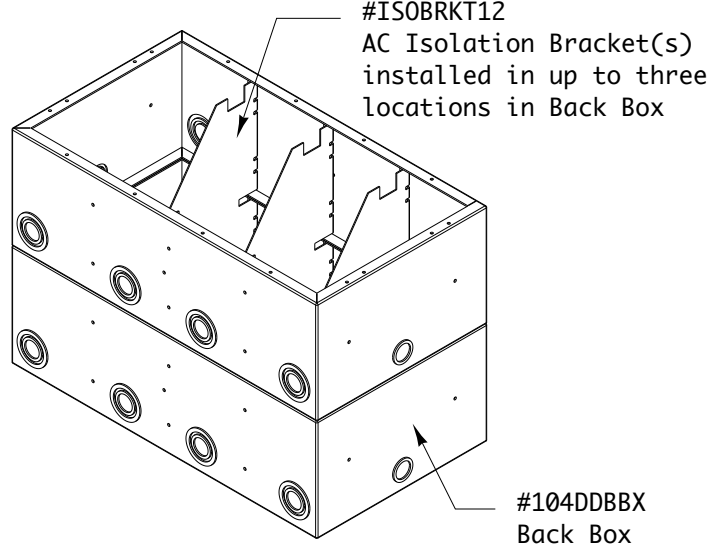
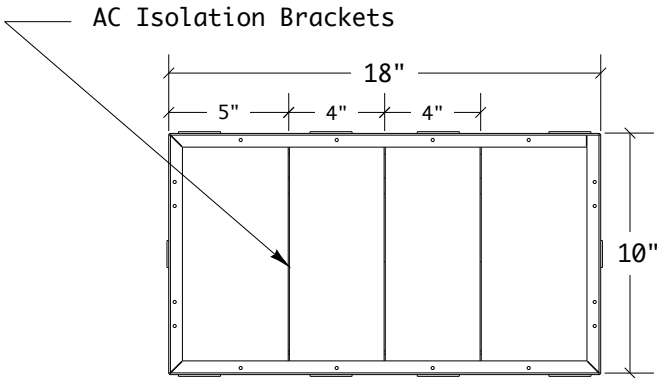
<p>ALL DIMENSIONS ARE FOR REFERENCE ONLY. UNLESS OTHERWISE SPECIFIED ALL DIMENSIONS ARE IN INCHES.</p>	<p>APPROVALS</p>		<p>DATE</p>	<p><b>ACE BACKSTAGE CO., INC. - STAGE POCKET SYSTEMS</b> 24846 Avenue Rockefeller • Suite 200 • Valencia, CA 91355 Tel: 661-295-5760 • Fax: 661-295-1122 • Web: www.acebackstage.com</p>	
	<p>DRAWN</p>		<p>04/22/08</p>		
	<p>ENGINEER</p>		<p>TITLE</p>		
<p>TREATMENT</p>	<p>CHECKED</p>		<p><b>#ISO1048BBX DOUBLE WIDE STAGE POCKET AC ISOLATED EXTRA DEEP BACK BOX</b></p>		
<p>FINISH</p>	<p>APPROVED</p>		<p>SIZE <b>A</b></p>	<p>DWG NO. <b>ISO1048BBX.pdf</b></p>	<p>REV</p>
<p>SIMILAR TO</p>	<p>MARKING SYMBOL</p>	<p>ISSUED</p>	<p>SCALE: <b>1:8</b></p>	<p><b>EXTRA DEEP AC ISOLATED BACK BOX</b></p>	<p>SHEET <b>1</b> OF <b>1</b></p>



VERTICAL SLANT PANEL

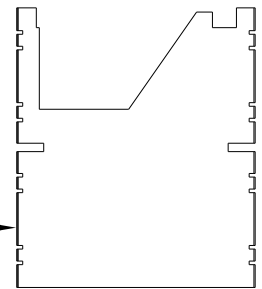
REVISIONS

ZONE	REV	DESCRIPTION	DATE	APPROVED
------	-----	-------------	------	----------



1/2", 3/4", 1",  
and 1-1/4" Knockouts  
(8) Places typical  
on opposing sides

#ISOBRKT12  
AC Isolation Bracket(s)  
installed in up to three  
locations in Back Box



<p>ALL DIMENSIONS ARE FOR REFERENCE ONLY. UNLESS OTHERWISE SPECIFIED ALL DIMENSIONS ARE IN INCHES.</p>	APPROVALS		DATE	<p><b>ACE BACKSTAGE CO., INC. - STAGE POCKET SYSTEMS</b> 24846 Avenue Rockefeller • Suite 200 • Valencia, CA 91355 Tel: 661-295-5760 • Fax: 661-295-1122 • Web: www.acebackstage.com</p>
	DRAWN		04/22/08	
	ENGINEER			
TREATMENT	CHECKED			<p>TITLE</p> <p><b>#ISO104DDBBX DOUBLE WIDE STAGE POCKET AC ISOLATED DOUBLE DEEP BACK BOX</b></p>
FINISH	APPROVED			<p>SIZE <b>A</b></p> <p>DWG NO. <b>ISO104DDBBX.pdf</b></p>
SIMILAR TO	MARKING SYMBOL	ISSUED		<p>SCALE: <b>1:8</b></p> <p><b>DOUBLE DEEP AC ISOLATED BACK BOX</b></p>
				<p>SHEET <b>1</b> OF <b>1</b></p>