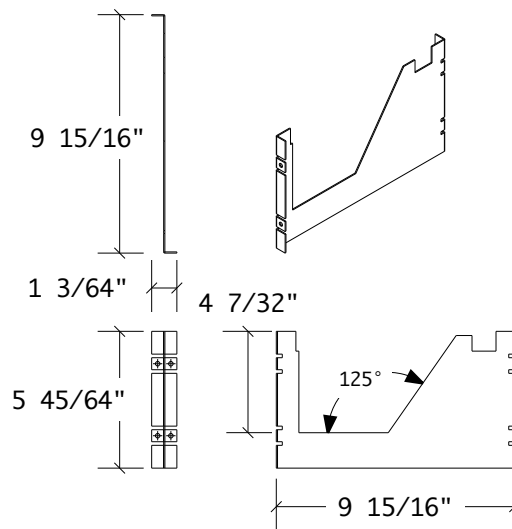




VERTICAL SLANT PANEL

REVISIONS

ZONE	REV	DESCRIPTION	DATE	APPROVED
------	-----	-------------	------	----------



ALL DIMENSIONS ARE FOR REFERENCE ONLY. UNLESS OTHERWISE SPECIFIED ALL DIMENSIONS ARE IN INCHES.

APPROVALS

DATE



ACE BACKSTAGE CO., INC. - STAGE POCKET SYSTEMS
24846 Avenue Rockefeller • Suite 200 • Valencia, CA 91355
Tel: 661-295-5760 • Fax: 661-295-1122 • Web: www.acebackstage.com

DRAWN

04/22/08

ENGINEER

TITLE

#ISOBRKT6 6" ISOLATION BRACKET FOR FULL STAGE POCKET(S)/BACK BOX(ES)

TREATMENT

CHECKED

FINISH

APPROVED

SIZE
A

DWG NO. ISOBRKT6.pdf

REV

SIMILAR TO

MARKING SYMBOL

ISSUED

SCALE: 1:8

AC ISOLATION BRACKETS

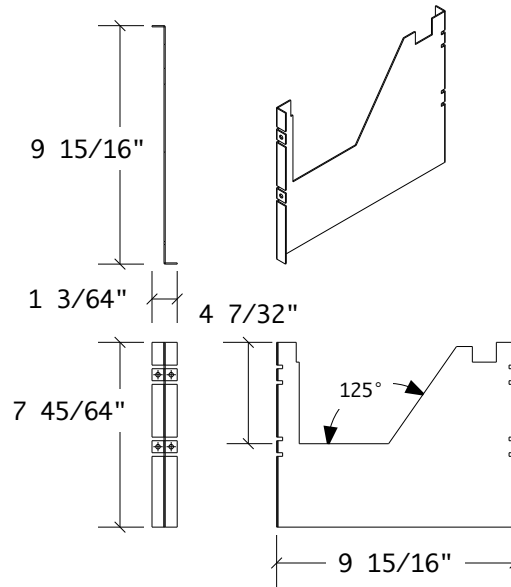
SHEET 1 OF 1




VERTICAL SLANT PANEL

REVISIONS

ZONE	REV	DESCRIPTION	DATE	APPROVED
------	-----	-------------	------	----------



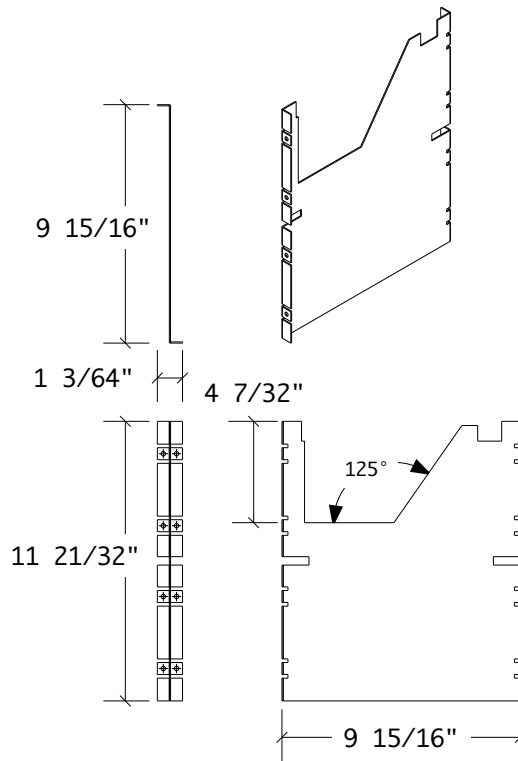
<small>ALL DIMENSIONS ARE FOR REFERENCE ONLY. UNLESS OTHERWISE SPECIFIED ALL DIMENSIONS ARE IN INCHES.</small>	APPROVALS		DATE	 ACE BACKSTAGE CO., INC. - STAGE POCKET SYSTEMS 24846 Avenue Rockefeller • Suite 200 • Valencia, CA 91355 Tel: 661-295-5760 • Fax: 661-295-1122 • Web: www.acebackstage.com
	DRAWN		04/22/08	
TREATMENT	ENGINEER			TITLE #ISOBRKT8 8" ISOLATION BRACKET FOR FULL STAGE POCKET(S)/EXTRA DEEP BACK BOX(ES)
FINISH	CHECKED			SIZE A
	APPROVED			DWG NO. ISOBRKT8.pdf
SIMILAR TO	MARKING SYMBOL	ISSUED		SCALE: 1:8
				AC ISOLATION BRACKETS
				SHEET 1 OF 1



VERTICAL SLANT PANEL

REVISIONS

ZONE	REV	DESCRIPTION	DATE	APPROVED
------	-----	-------------	------	----------



ALL DIMENSIONS ARE FOR REFERENCE ONLY. UNLESS OTHERWISE SPECIFIED ALL DIMENSIONS ARE IN INCHES.

APPROVALS

DATE



ACE BACKSTAGE CO., INC. - STAGE POCKET SYSTEMS
24846 Avenue Rockefeller • Suite 200 • Valencia, CA 91355
Tel: 661-295-5760 • Fax: 661-295-1122 • Web: www.acebackstage.com

DRAWN 04/22/08

ENGINEER

TITLE
#ISOBRKT12 12" ISOLATION BRACKET FOR FULL STAGE POCKET(S)/DOUBLE DEEP BACK BOX(ES)

TREATMENT CHECKED

FINISH APPROVED

SIZE DWG NO. **A ISOBRKT12.pdf** REV

SIMILAR TO MARKING SYMBOL ISSUED

SCALE: 1:8 AC ISOLATION BRACKETS SHEET 1 OF 1