

DOUBLE WIDE BACK BOX WITH ISOLATION BRACKET



COMPATIBLE WITH:
VERTICAL SLANT POCKET



PROUDLY MADE
IN THE U.S.A.

REVISIONS

REV

DESCRIPTION

DATE

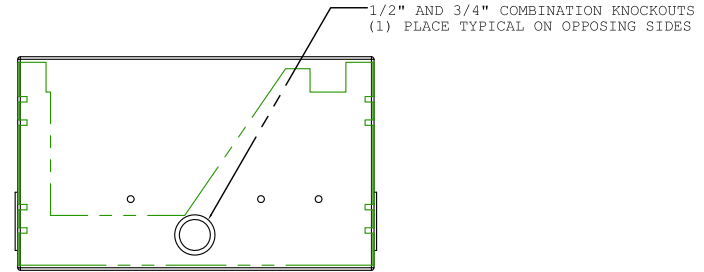
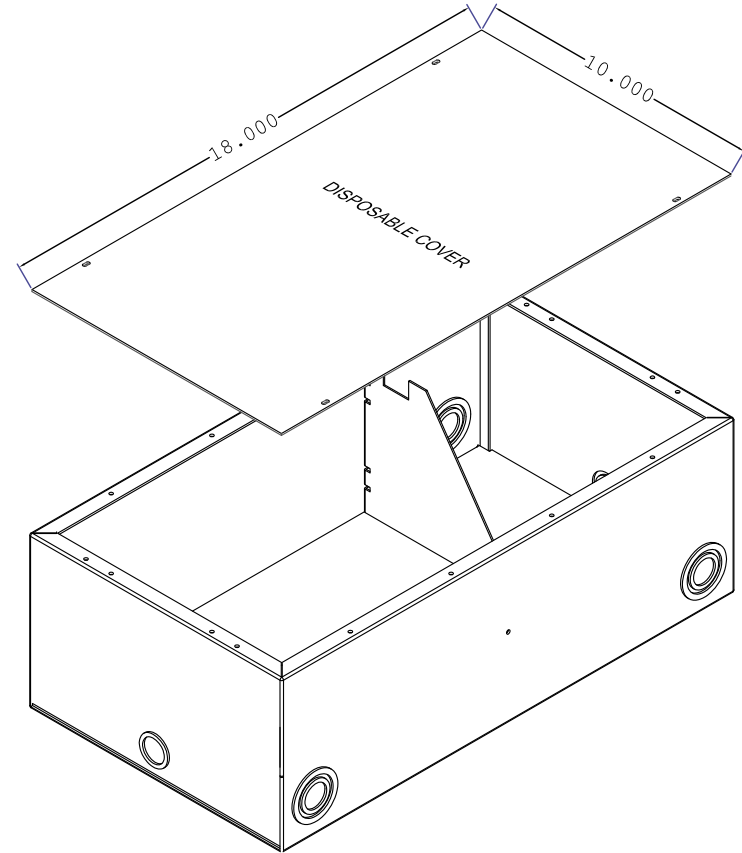
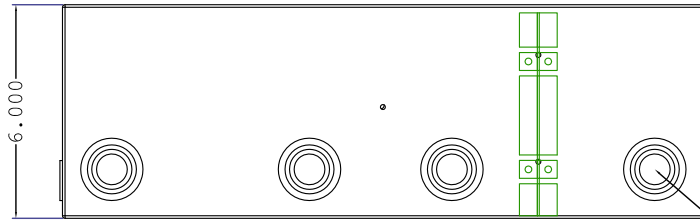
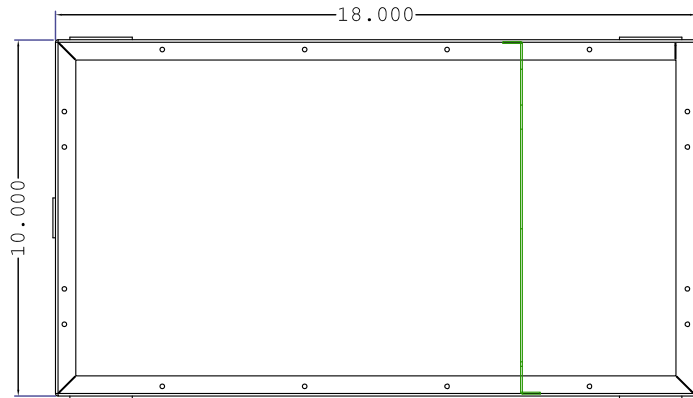


ACE BACKSTAGE CO., INC. - STAGE POCKET SYSTEMS

www.acebackstage.com

COMPATIBLE POCKETS:

MODEL NUMBERS:	DESCRIPTION:
124SLBK	STANDARD LID / BLACK
124CLBK	CARPET LID / BLACK
124SLCV	STANDARD LID / COPPER VEIN
124CLCV	CARPET LID / COPPER VEIN
224SLBR	STANDARD LID / SOLID BRASS
224CLBR	CARPET LID / SOLID BRASS
324SLSS	STANDARD LID / STAINLESS STEEL
324CLSS	CARPET LID / STAINLESS STEEL



1/2", 3/4", 1", AND 1-1/4" COMBINATION KNOCKOUTS (2) PLACES TYPICAL ON OPPOSING SIDES.

1/2" AND 3/4" COMBINATION KNOCKOUTS (1) PLACE TYPICAL ON OPPOSING SIDES

APPROVALS	DATE
DRAWN JM	08/04/11
CUSTOMER APPROVAL	

ALL DIMENSIONS ARE FOR REFERENCE ONLY. UNLESS OTHERWISE SPECIFIED ALL DIMENSIONS ARE IN INCHES.

FINISH	ELECTRO DEPOSITED CLEAR ZINC
MATERIAL	BACK BOX: 14 GAUGE CRS BRACKET: 16 GAUGE GALVANEAL

ITEM:	ISO104BBX
DESCRIPTION:	6" DEEP BACK BOX WITH ISOLATION BRACKET. FOR USE WHEN INSTALLING DOUBLE WIDE POCKETS WITH HIGH AND LOW VOLTAGE IN THE SAME POCKET.
REV	1
SHEET	1 OF 1