

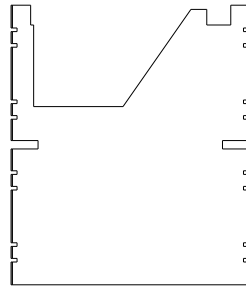
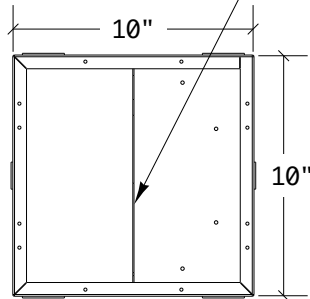


VERTICAL SLANT PANEL

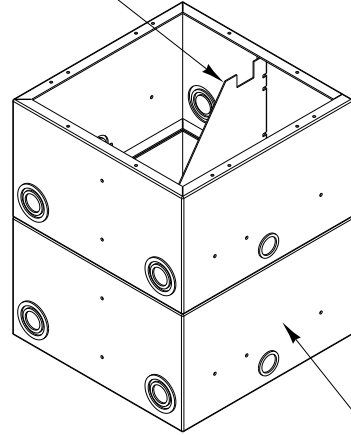
REVISIONS

ZONE	REV	DESCRIPTION	DATE	APPROVED
------	-----	-------------	------	----------

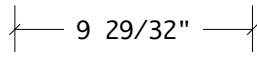
AC Isolation Bracket



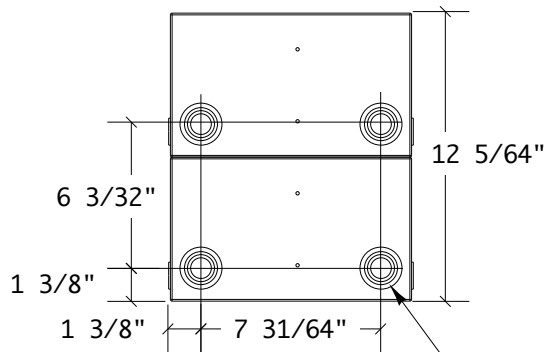
#ISOBRKT12
AC Isolation Bracket installed
in the center of Back Box



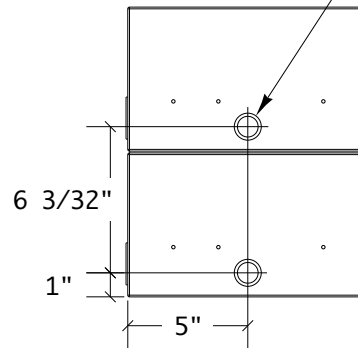
#102DDBBX
Back Box



14 Gauge Steel Disposable
Protective Cover



1/2" and 3/4"
Knockouts
(2) Places
typical on
opposing sides



1/2", 3/4", 1",
and 1-1/4" Knockouts
(4) Places typical
on opposing sides

ALL DIMENSIONS ARE FOR
REFERENCE ONLY. UNLESS
OTHERWISE SPECIFIED ALL
DIMENSIONS ARE IN INCHES.

APPROVALS

DATE



ACE BACKSTAGE CO., INC. - STAGE POCKET SYSTEMS
24846 Avenue Rockefeller • Suite 200 • Valencia, CA 91355
Tel: 661-295-5760 • Fax: 661-295-1122 • Web: www.acebackstage.com

DRAWN

04/22/08

ENGINEER

TITLE

**#ISO102DDBBX FULL STAGE POCKET
AC ISOLATED DOUBLE DEEP BACK BOX**

TREATMENT

CHECKED

FINISH

APPROVED

SIZE
A

DWG NO. **ISO102DDBBX.pdf**

REV

SIMILAR TO

MARKING SYMBOL

ISSUED

SCALE: **1:8**

DOUBLE DEEP AC ISOLATED BACK BOX

SHEET **1** OF **1**