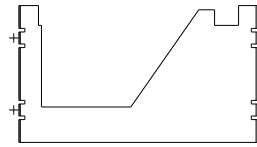




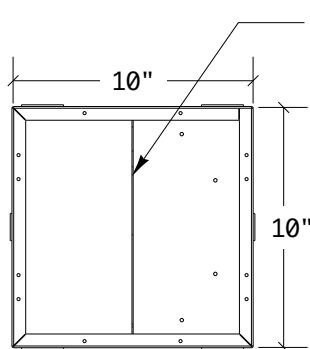
VERTICAL SLANT PANEL

REVISIONS

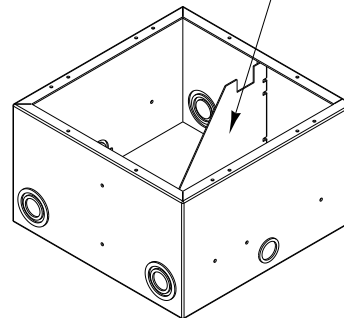
ZONE	REV	DESCRIPTION	DATE	APPROVED
------	-----	-------------	------	----------



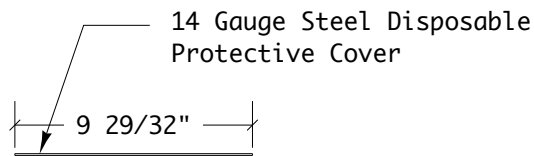
#ISOBRKT6
AC Isolation Bracket
installed in the center
of Back Box



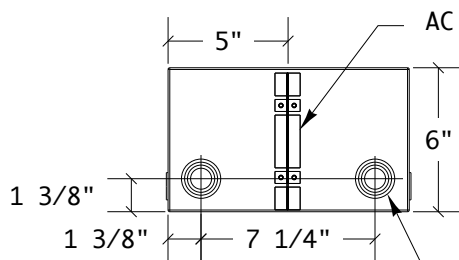
AC Isolation Bracket



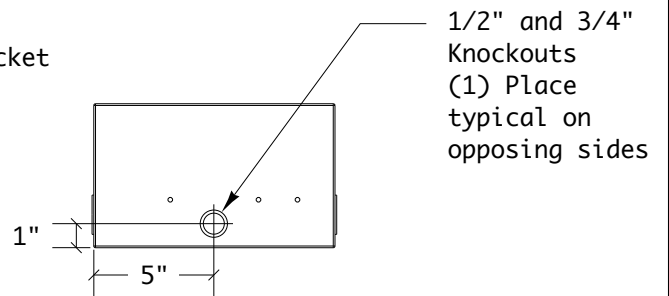
#102BBX
Back Box



14 Gauge Steel Disposable
Protective Cover



AC Isolation Bracket



1/2" and 3/4"
Knockouts
(1) Place
typical on
opposing sides

1/2", 3/4", 1",
and 1-1/4" Knockouts
(2) Places typical
on opposing sides

<p><i>ALL DIMENSIONS ARE FOR REFERENCE ONLY. UNLESS OTHERWISE SPECIFIED ALL DIMENSIONS ARE IN INCHES.</i></p>	<p>APPROVALS</p>		<p>DATE</p>	<p>ACE BACKSTAGE CO., INC. - STAGE POCKET SYSTEMS 24846 Avenue Rockefeller • Suite 200 • Valencia, CA 91355 Tel: 661-295-5760 • Fax: 661-295-1122 • Web: www.acebackstage.com</p>	
	<p>DRAWN</p>		<p>04/22/08</p>		
	<p>ENGINEER</p>		<p>TITLE</p>		
<p>TREATMENT</p>	<p>CHECKED</p>		<p>#ISO102BBX FULL STAGE POCKET AC ISOLATED BACK BOX</p>		
<p>FINISH</p>	<p>APPROVED</p>		<p>SIZE A</p>	<p>DWG NO. ISO102BBX.pdf</p>	<p>REV</p>
<p>SIMILAR TO</p>	<p>MARKING SYMBOL</p>	<p>ISSUED</p>	<p>SCALE: 1:8</p>	<p>AC ISOLATED BACK BOX</p>	<p>SHEET 1 OF 1</p>