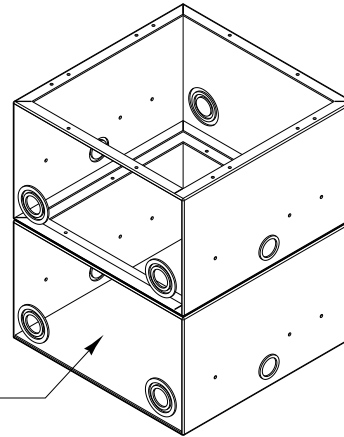
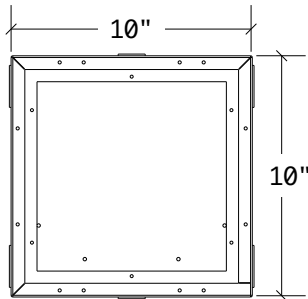




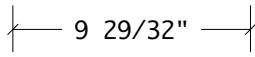
HORIZONTAL PANEL

REVISIONS

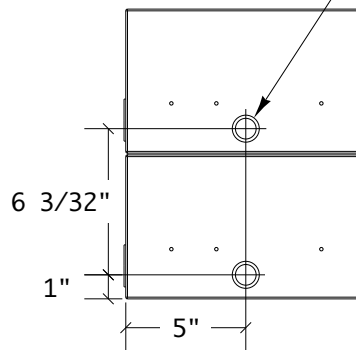
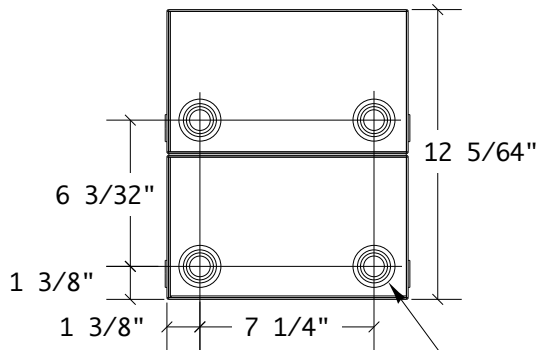
ZONE	REV	DESCRIPTION	DATE	APPROVED
------	-----	-------------	------	----------



Side panel removed for visual improvement



14 Gauge Steel Disposable Protective Cover



1/2" and 3/4" Knockouts (2) Places typical on opposing sides

1/2", 3/4", 1", and 1-1/4" Knockouts (4) Places typical on opposing sides

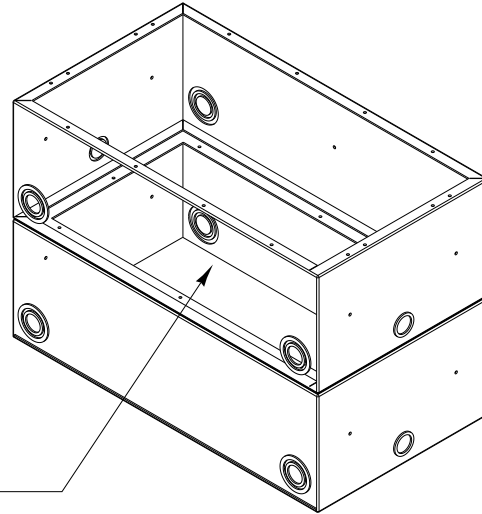
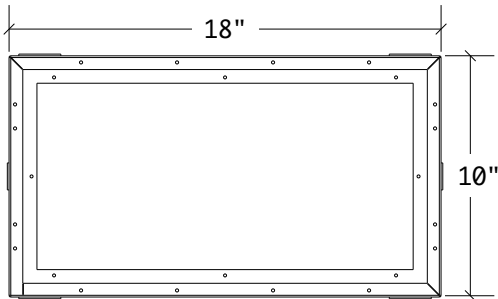
<p><i>ALL DIMENSIONS ARE FOR REFERENCE ONLY. UNLESS OTHERWISE SPECIFIED ALL DIMENSIONS ARE IN INCHES.</i></p>	<p>APPROVALS</p>		<p>DATE</p>	<p>ACE BACKSTAGE CO., INC. - STAGE POCKET SYSTEMS 24846 Avenue Rockefeller • Suite 200 • Valencia, CA 91355 Tel: 661-295-5760 • Fax: 661-295-1122 • Web: www.acebackstage.com</p>	
	<p>DRAWN</p>		<p>04/22/08</p>		
	<p>ENGINEER</p>		<p>TITLE</p>		
<p>TREATMENT</p>	<p>CHECKED</p>		<p>#102DDBBX SUPER DOUBLE DEEP BACK BOX</p>		
<p>FINISH</p>	<p>APPROVED</p>		<p>SIZE A</p>	<p>DWG NO. 102DDBBX.pdf</p>	<p>REV</p>
<p>SIMILAR TO</p>	<p>MARKING SYMBOL</p>	<p>ISSUED</p>	<p>SCALE: 1:8</p>	<p>SUPER DOUBLE DEEP BACK BOX</p>	<p>SHEET 1 OF 1</p>



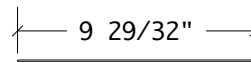
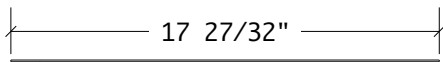
HORIZONTAL PANEL

REVISIONS

ZONE	REV	DESCRIPTION	DATE	APPROVED
------	-----	-------------	------	----------

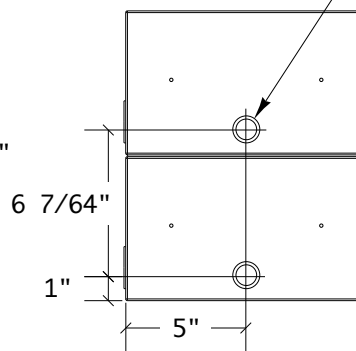
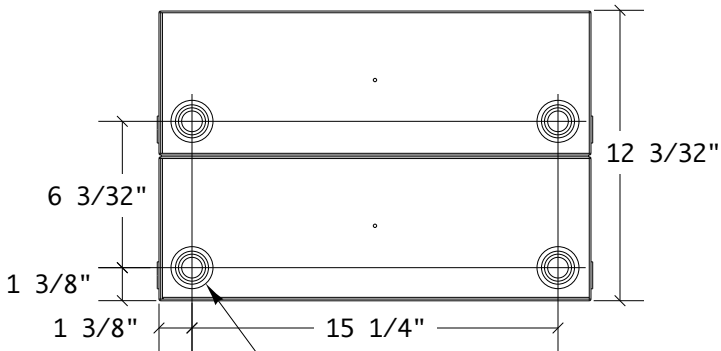


Side panel removed
for visual improvement



14 Gauge Steel Disposable
Protective Cover

1/2" and 3/4"
Knockouts
(2) Places
typical on
opposing sides



1/2", 3/4", 1",
and 1-1/4" Knockouts
(4) Places typical
on opposing sides

ALL DIMENSIONS ARE FOR
REFERENCE ONLY. UNLESS
OTHERWISE SPECIFIED ALL
DIMENSIONS ARE IN INCHES.

APPROVALS

DATE



ACE BACKSTAGE CO., INC. - STAGE POCKET SYSTEMS
24846 Avenue Rockefeller • Suite 200 • Valencia, CA 91355
Tel: 661-295-5760 • Fax: 661-295-1122 • Web: www.acebackstage.com

DRAWN

04/22/08

ENGINEER

TITLE

**#104DDBBX SUPER DOUBLE WIDE
DOUBLE DEEP BACK BOX**

TREATMENT

CHECKED

FINISH

APPROVED

SIZE
A

DWG NO.

104DDBBX.pdf

REV

SIMILAR TO

MARKING SYMBOL

ISSUED

SCALE: **1:8**

SUPER DOUBLE WIDE DOUBLE DEEP BACK BOX

SHEET **1** OF **1**