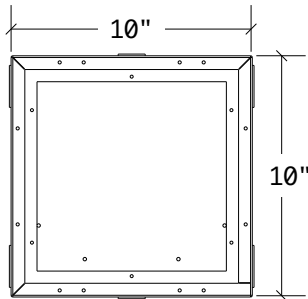




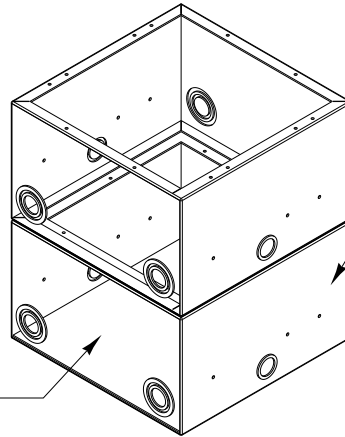
HORIZONTAL PANEL

REVISIONS

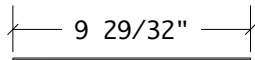
ZONE	REV	DESCRIPTION	DATE	APPROVED
------	-----	-------------	------	----------



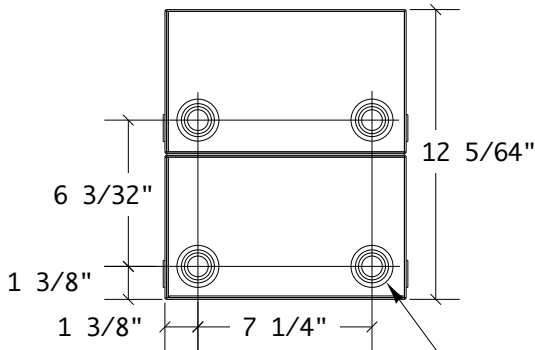
1/16" Thick layer of Polyurethane Encapsulates all 4 sides and bottom



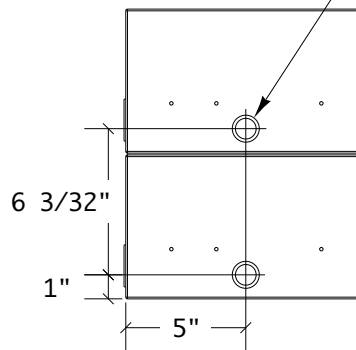
Side panel removed for visual improvement



14 Gauge Steel Disposable Protective Cover



1/2" and 3/4" Knockouts (2) Places typical on opposing sides



1/2", 3/4", 1", and 1-1/4" Knockouts (4) Places typical on opposing sides

ALL DIMENSIONS ARE FOR REFERENCE ONLY. UNLESS OTHERWISE SPECIFIED ALL DIMENSIONS ARE IN INCHES.

APPROVALS

DATE



ACE BACKSTAGE CO., INC. - STAGE POCKET SYSTEMS
24846 Avenue Rockefeller • Suite 200 • Valencia, CA 91355
Tel: 661-295-5760 • Fax: 661-295-1122 • Web: www.acebackstage.com

DRAWN

04/22/08

ENGINEER

TITLE

#102DDBBXW DOUBLE DEEP FULL STAGE POCKET BACK BOX WITH POLYURETHANE ENCAPSULATION

TREATMENT

CHECKED

FINISH

APPROVED

SIZE
A

DWG NO. **102DDBBXW.pdf**

REV

SIMILAR TO

MARKING SYMBOL

ISSUED

SCALE: **1:8**

POLYURETHANE FULL DOUBLE DEEP BACK BOX

SHEET **1** OF **1**

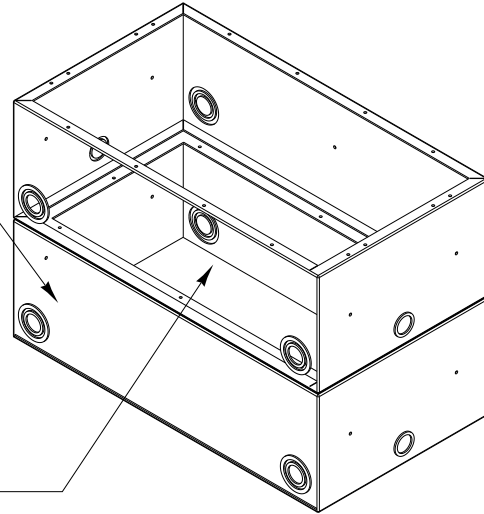
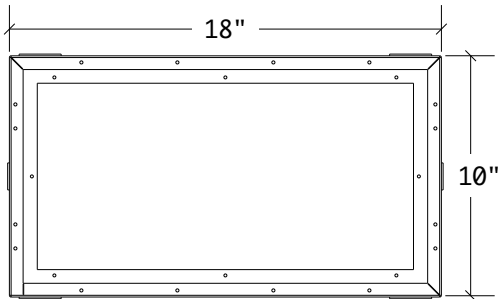


HORIZONTAL PANEL

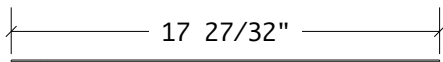
REVISIONS

ZONE	REV	DESCRIPTION	DATE	APPROVED
------	-----	-------------	------	----------

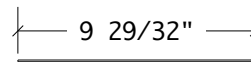
1/16" Thick layer of Polyurethane Encapsulates all 4 sides and bottom



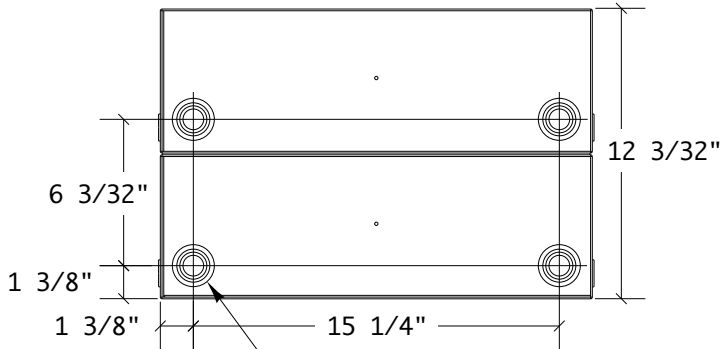
Side panel removed for visual improvement



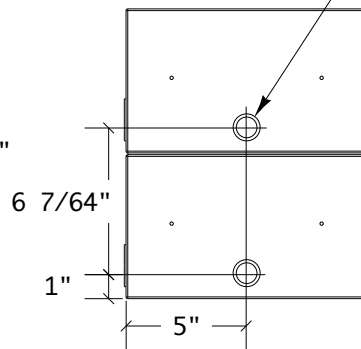
14 Gauge Steel Disposable Protective Cover



1/2" and 3/4" Knockouts (2) Places typical on opposing sides



1/2", 3/4", 1", and 1-1/4" Knockouts (4) Places typical on opposing sides



ALL DIMENSIONS ARE FOR REFERENCE ONLY. UNLESS OTHERWISE SPECIFIED ALL DIMENSIONS ARE IN INCHES.

APPROVALS

DATE



ACE BACKSTAGE CO., INC. - STAGE POCKET SYSTEMS

24846 Avenue Rockefeller • Suite 200 • Valencia, CA 91355
Tel: 661-295-5760 • Fax: 661-295-1122 • Web: www.acebackstage.com

DRAWN

04/22/08

ENGINEER

TITLE

#104DDBBXW DOUBLE DEEP DOUBLE WIDE STAGE POCKET BACK BOX WITH POLYURETHANE ENCAPSULATION

TREATMENT

CHECKED

FINISH

APPROVED

SIZE

A

DWG NO.

104DDBBXW.pdf

REV

SIMILAR TO

MARKING SYMBOL

ISSUED

SCALE: 1:8

POLYURETHANE DOUBLE WIDE DOUBLE DEEP BACK BOX

SHEET 1 OF 1