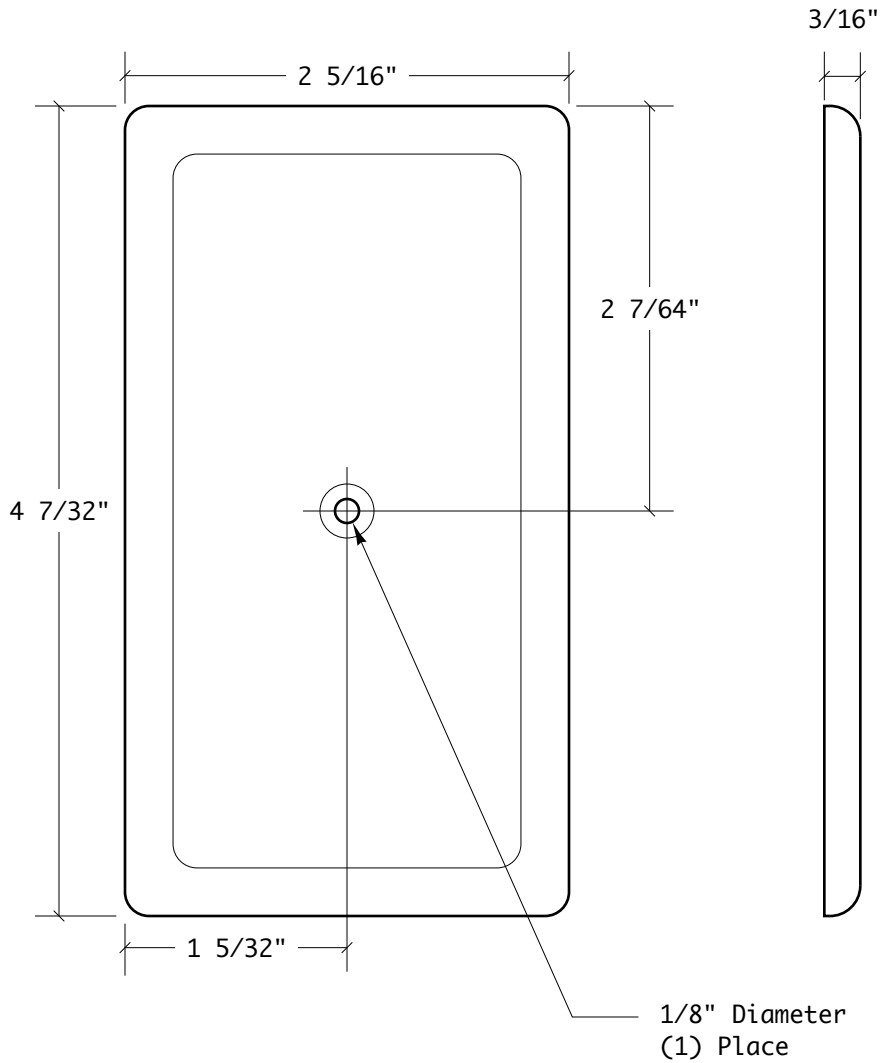



ELECTRIC COVER PANEL	REVISIONS			
	ZONE	REV	DESCRIPTION	DATE



<small>ALL DIMENSIONS ARE FOR REFERENCE ONLY. UNLESS OTHERWISE SPECIFIED ALL DIMENSIONS ARE IN INCHES.</small>	APPROVALS		DATE	 <b>ACE BACKSTAGE CO., INC. - STAGE POCKET SYSTEMS</b> 24846 Avenue Rockefeller • Suite 200 • Valencia, CA 91355 Tel: 661-295-5760 • Fax: 661-295-1122 • Web: www.acebackstage.com
	DRAWN		04/22/08	
	ENGINEER			
	CHECKED			
TREATMENT	APPROVED			TITLE <b>#DC STEEL SINGLE GANG ELECTRIC DUPLEX COVER PANEL, BLANK</b>
FINISH	ISSUED			SIZE: <b>A</b> DWG NO. <b>DC.pdf</b> REV
SIMILAR TO	MARKING SYMBOL	SCALE: <b>1:1</b>		<b>ELECTRIC COVER PANEL</b> SHEET <b>1</b> OF <b>1</b>