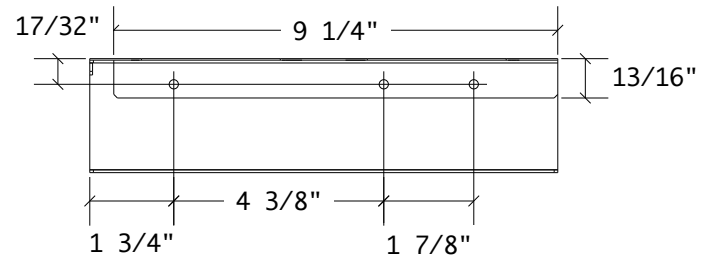
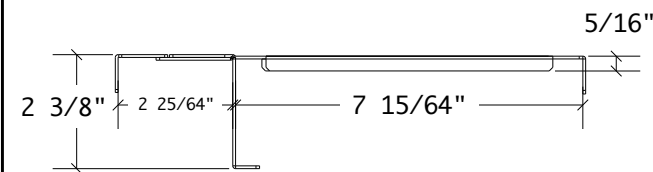
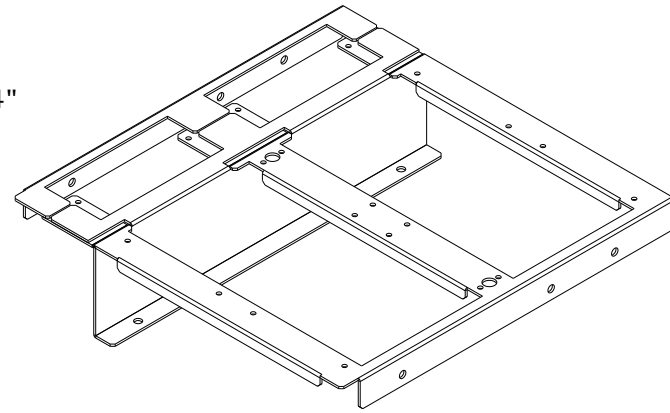
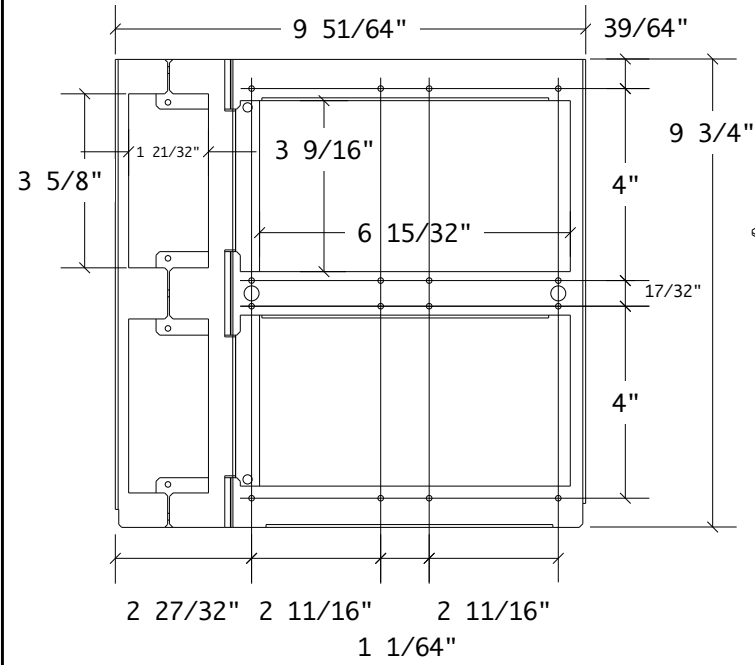





HORIZONTAL PANEL

REVISIONS

ZONE	REV	DESCRIPTION	DATE	APPROVED
------	-----	-------------	------	----------



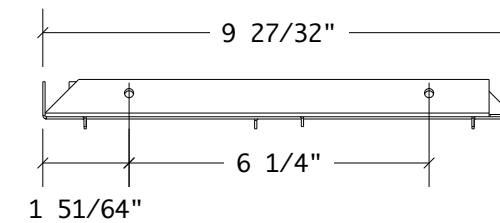
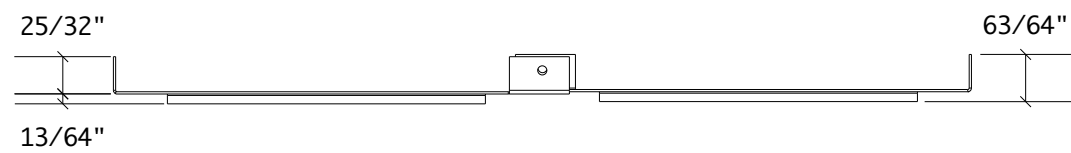
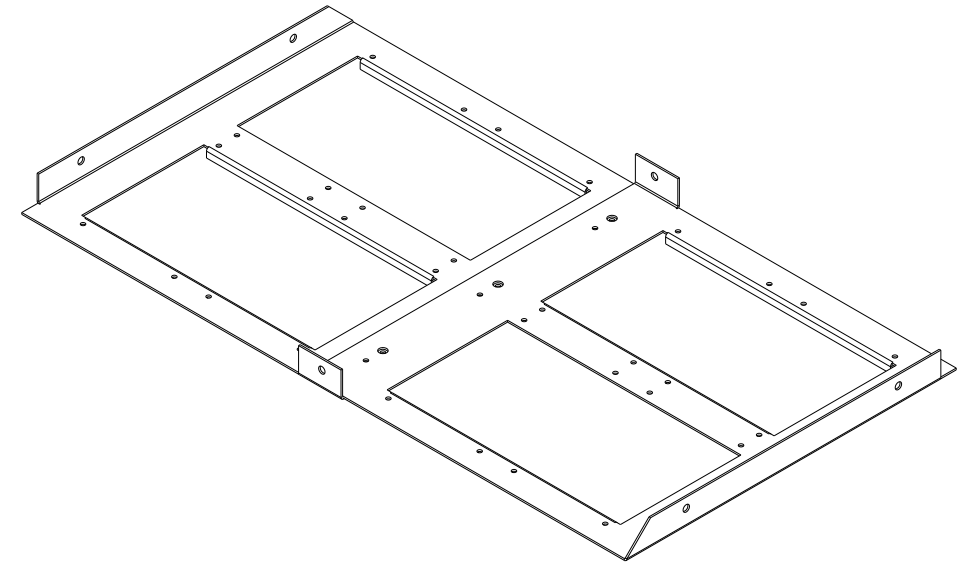
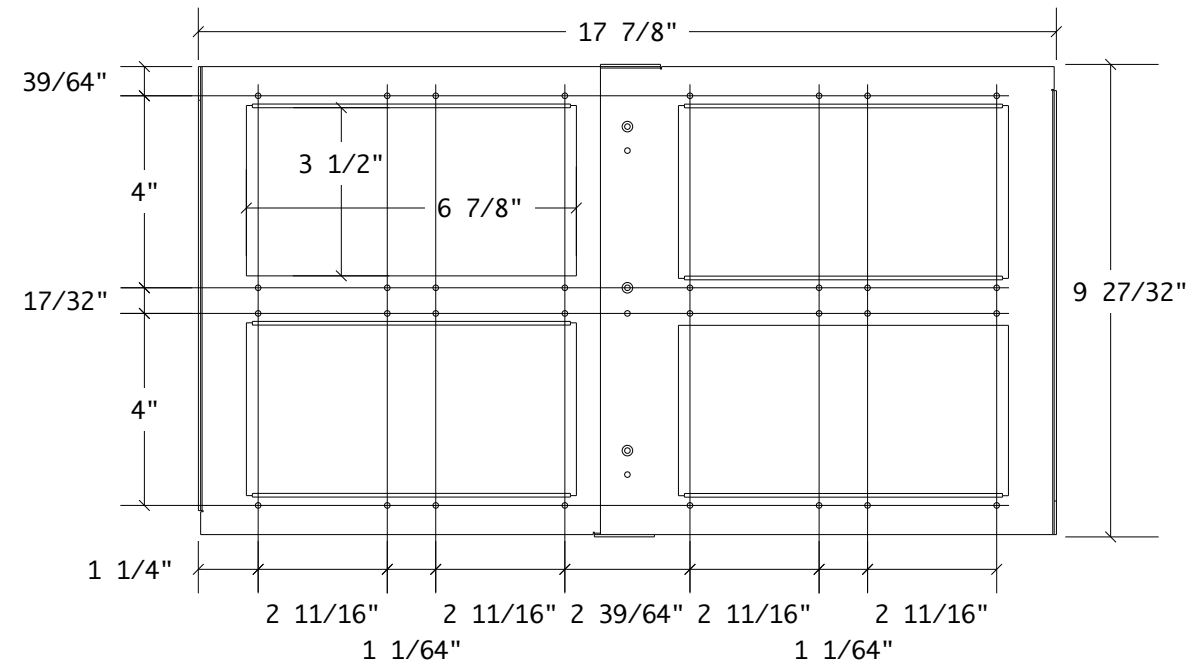
<small>ALL DIMENSIONS ARE FOR REFERENCE ONLY. UNLESS OTHERWISE SPECIFIED ALL DIMENSIONS ARE IN INCHES.</small>	APPROVALS		DATE	 ACE BACKSTAGE CO., INC. - STAGE POCKET SYSTEMS 24846 Avenue Rockefeller • Suite 200 • Valencia, CA 91355 Tel: 661-295-5760 • Fax: 661-295-1122 • Web: www.acebackstage.com
	DRAWN		04/22/08	
	ENGINEER			
TREATMENT	CHECKED			TITLE
FINISH	APPROVED			#BRK102 BRACKET KIT ASSEMBLY FOR #102BBX BACK BOX
SIMILAR TO	MARKING SYMBOL	ISSUED		SIZE A DWG NO. BRK102.pdf REV
SCALE: 1:4			SUPER BRACKET KIT ASSEMBLY	SHEET 1 OF 1




HORIZONTAL PANEL

REVISIONS

ZONE	REV	DESCRIPTION	DATE	APPROVED
------	-----	-------------	------	----------



ALL DIMENSIONS ARE FOR REFERENCE ONLY. UNLESS OTHERWISE SPECIFIED ALL DIMENSIONS ARE IN INCHES.	APPROVALS	DATE	 ACE BACKSTAGE CO., INC. - STAGE POCKET SYSTEMS 24846 Avenue Rockefeller • Suite 200 • Valencia, CA 91355 Tel: 661-295-5760 • Fax: 661-295-1122 • Web: www.acebackstage.com		
	DRAWN	04/22/08			
TREATMENT	ENGINEER		TITLE #BRK104 BRACKET KIT ASSEMBLY FOR #104BBX BACK BOX		
FINISH	CHECKED				
SIMILAR TO	MARKING SYMBOL	ISSUED	SIZE B	DWG NO. BRK104.pdf	REV
			SCALE: 1:4	SUPER DOUBLE WIDE BRACKET KIT ASSEMBLY	SHEET 1 OF 1