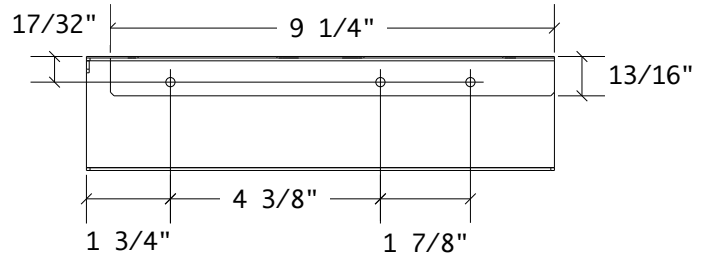
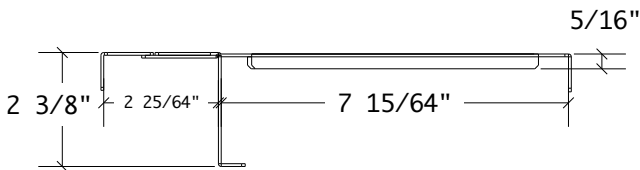
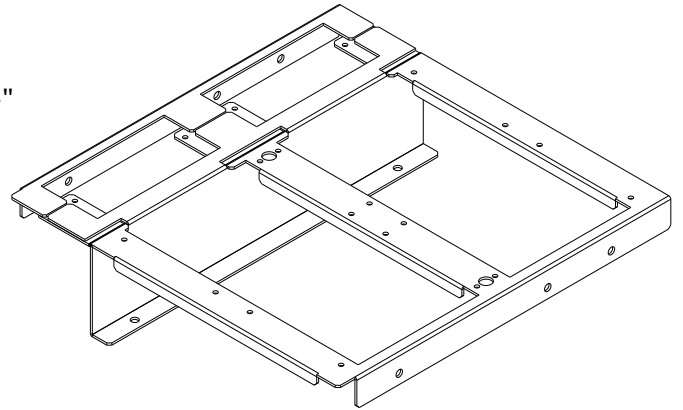
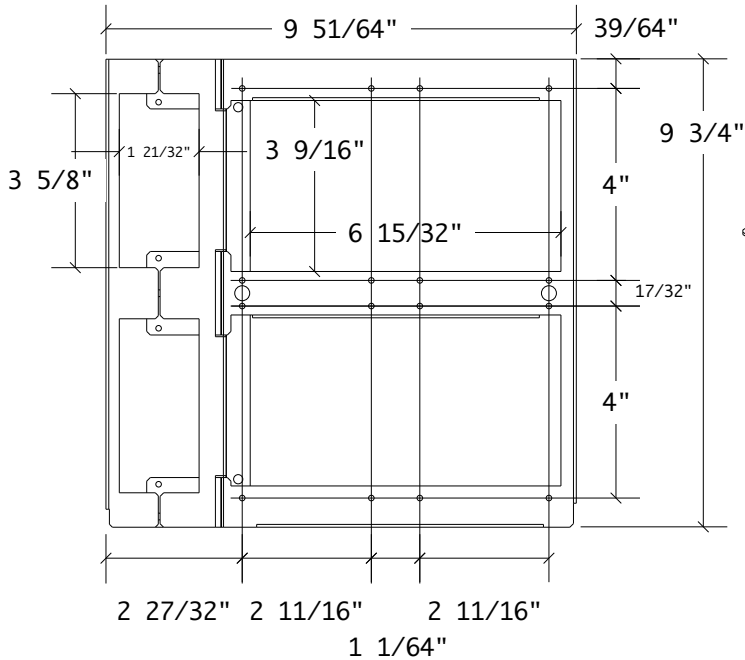




HORIZONTAL PANEL

REVISIONS

ZONE	REV	DESCRIPTION	DATE	APPROVED
------	-----	-------------	------	----------



ALL DIMENSIONS ARE FOR REFERENCE ONLY. UNLESS OTHERWISE SPECIFIED ALL DIMENSIONS ARE IN INCHES.

APPROVALS

DATE



ACE BACKSTAGE CO., INC. - STAGE POCKET SYSTEMS
 24846 Avenue Rockefeller • Suite 200 • Valencia, CA 91355
 Tel: 661-295-5760 • Fax: 661-295-1122 • Web: www.acebackstage.com

DRAWN

04/22/08

ENGINEER

TITLE

#BRK102 BRACKET KIT ASSEMBLY FOR #102BBX BACK BOX

TREATMENT

CHECKED

FINISH

APPROVED

SIZE
A

DWG NO.

BRK102.pdf

REV

SIMILAR TO

MARKING SYMBOL

ISSUED

SCALE: 1:4

SUPER BRACKET KIT ASSEMBLY

SHEET **1** OF **1**