



VERTICAL SLANT PANEL

REVISIONS

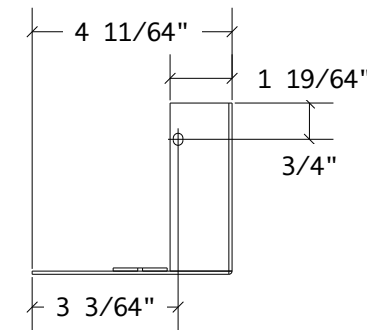
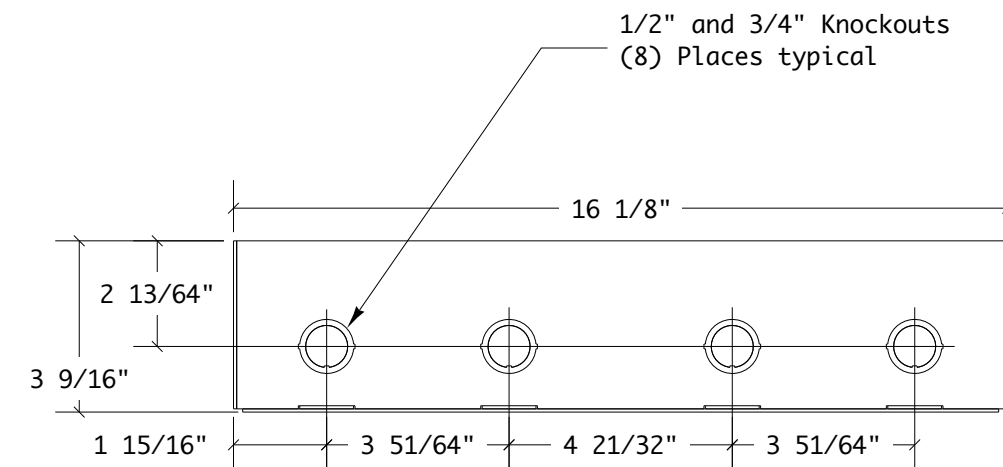
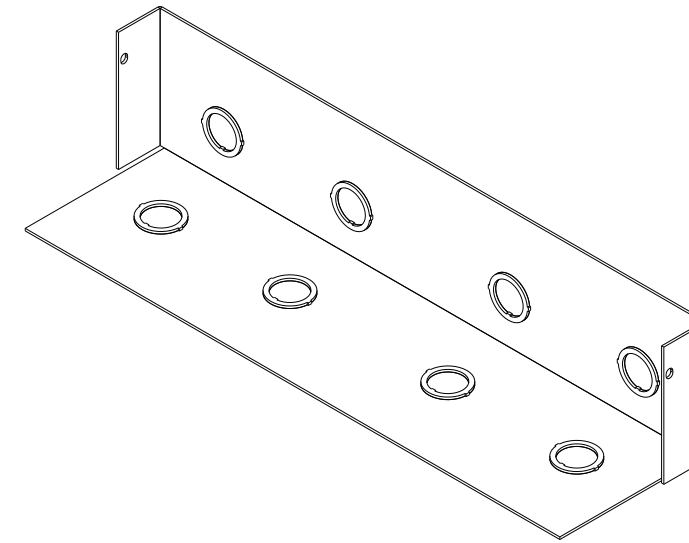
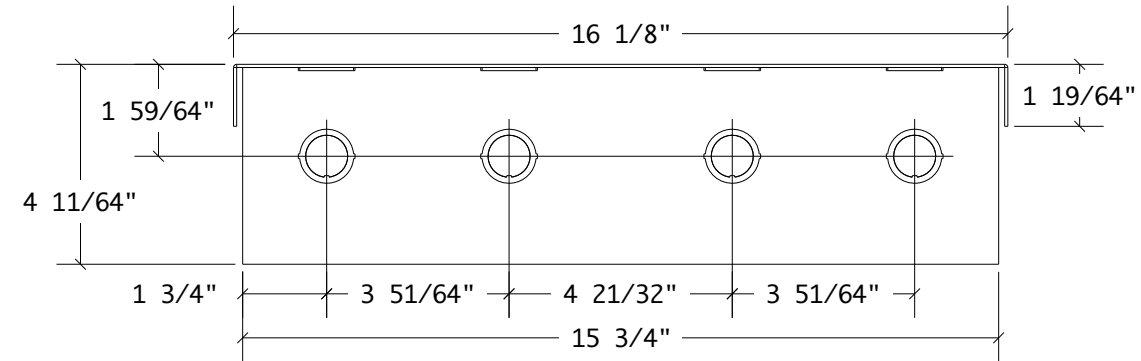
ZONE

REV

DESCRIPTION

DATE

APPROVED



ALL DIMENSIONS ARE FOR REFERENCE ONLY. UNLESS OTHERWISE SPECIFIED ALL DIMENSIONS ARE IN INCHES.

APPROVALS

DATE

DRAWN

04/22/08

ENGINEER



ACE BACKSTAGE CO., INC. - STAGE POCKET SYSTEMS

24846 Avenue Rockefeller • Suite 200 • Valencia, CA 91355
Tel: 661-295-5760 • Fax: 661-295-1122 • Web: www.acebackstage.com

TITLE

**#24BAC BACK ACCESS COVER FOR
DOUBLE WIDE STAGE POCKET**

TREATMENT

CHECKED

FINISH

APPROVED

SIZE

DWG NO.

B 24BAC.dxf

REV

SIMILAR TO

MARKING SYMBOL

ISSUED

SCALE: 1:2

BACK ACCESS COVERS

SHEET 1 OF 1