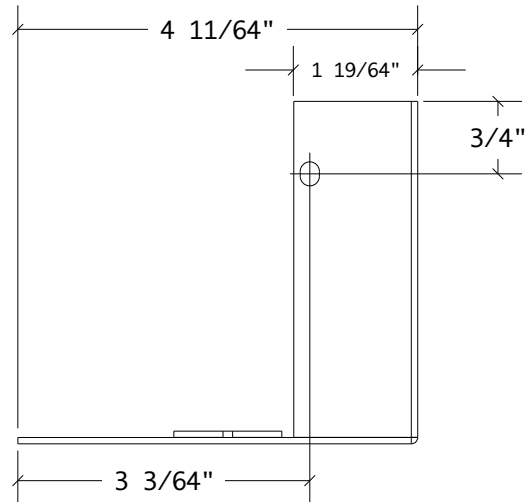
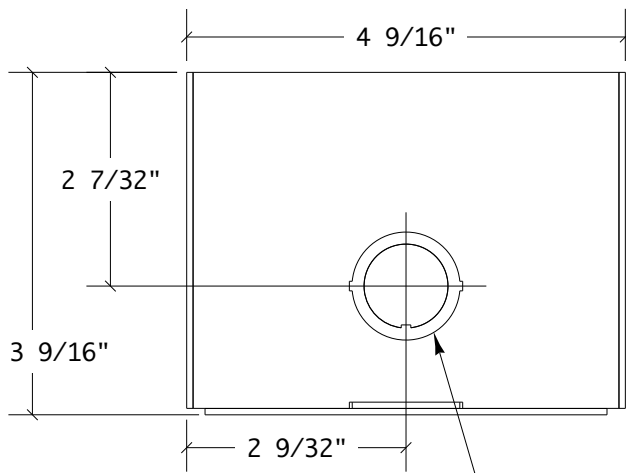
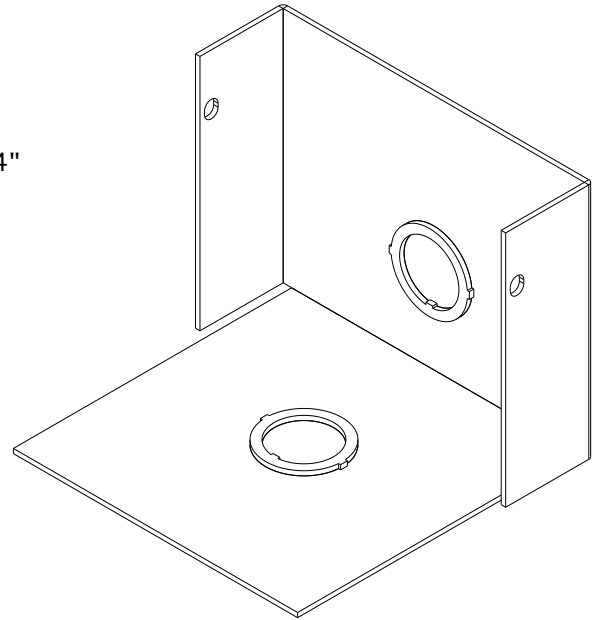
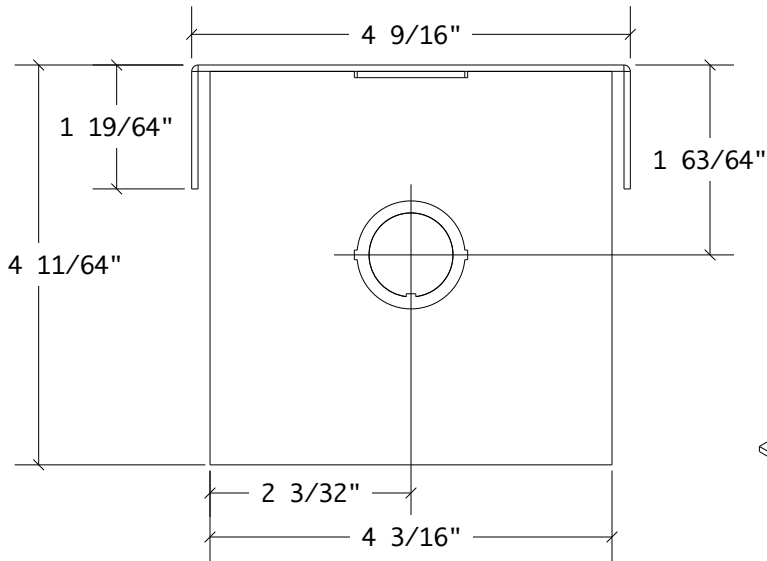




VERTICAL SLANT PANEL

REVISIONS

ZONE	REV	DESCRIPTION	DATE	APPROVED
------	-----	-------------	------	----------



1/2" and 3/4" Knockouts
(2) Places typical



ALL DIMENSIONS ARE FOR REFERENCE ONLY. UNLESS OTHERWISE SPECIFIED ALL DIMENSIONS ARE IN INCHES.

APPROVALS

DATE

DRAWN

04/22/08

ENGINEER

CHECKED

APPROVED

ISSUED



ACE BACKSTAGE CO., INC. - STAGE POCKET SYSTEMS
24846 Avenue Rockefeller • Suite 200 • Valencia, CA 91355
Tel: 661-295-5760 • Fax: 661-295-1122 • Web: www.acebackstage.com

TITLE

#23BAC BACK ACCESS COVER FOR HALF STAGE POCKET

TREATMENT

FINISH

SIZE
A

DWG NO.

23BAC.dxf

REV

SIMILAR TO

MARKING SYMBOL

SCALE: 1:2

BACK ACCESS COVERS

SHEET 1 OF 1