



VERTICAL SLANT PANEL

REVISIONS

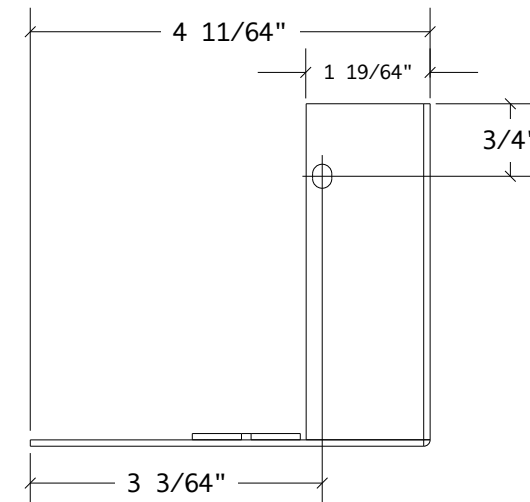
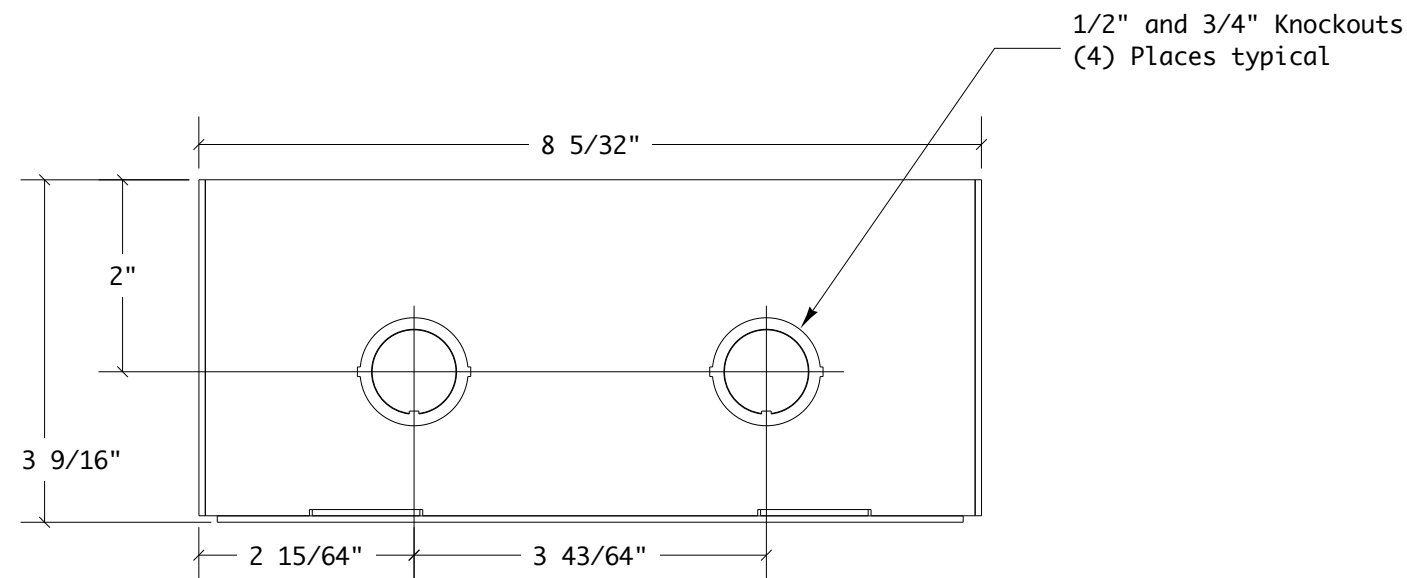
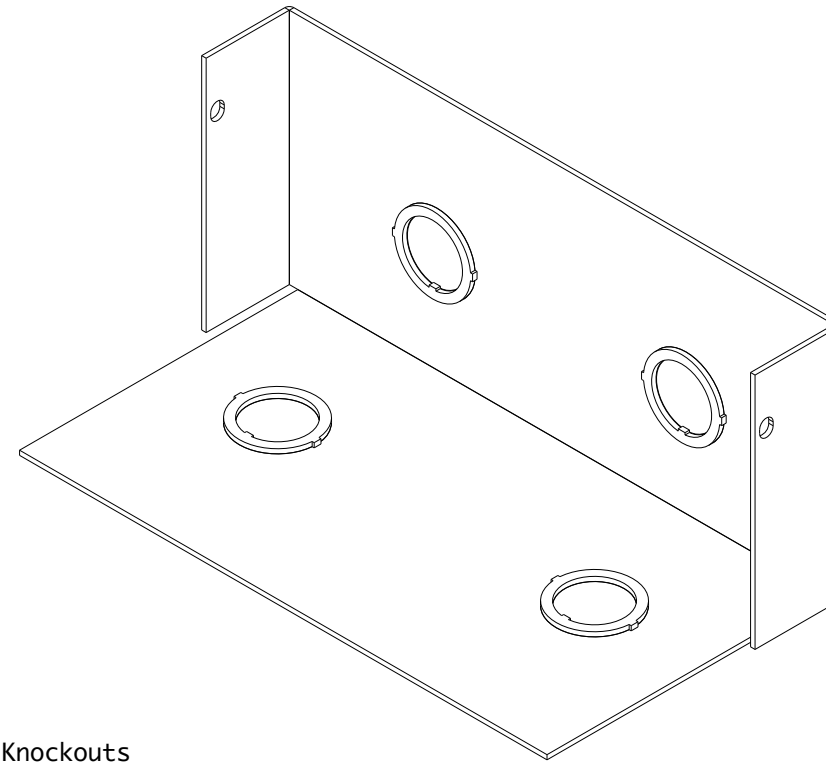
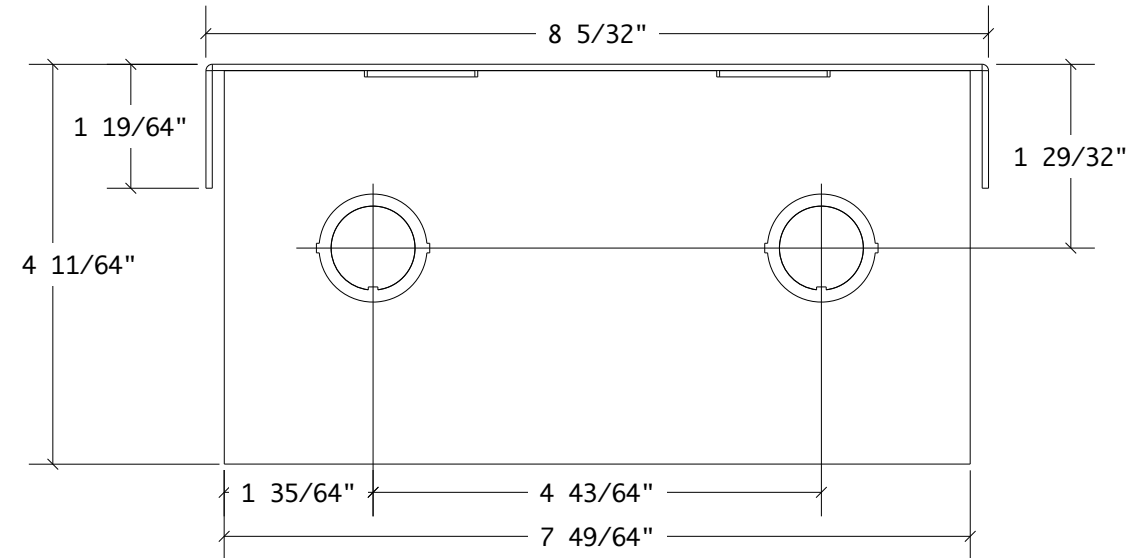
ZONE


REV

DESCRIPTION

DATE

APPROVED



<small>ALL DIMENSIONS ARE FOR REFERENCE ONLY. UNLESS OTHERWISE SPECIFIED ALL DIMENSIONS ARE IN INCHES.</small>		APPROVALS		DATE	 <b>ACE BACKSTAGE CO., INC. - STAGE POCKET SYSTEMS</b> 24846 Avenue Rockefeller • Suite 200 • Valencia, CA 91355 Tel: 661-295-5760 • Fax: 661-295-1122 • Web: www.acebackstage.com
		DRAWN		04/22/08	
TREATMENT		ENGINEER		TITLE	<b>#22BAC BACK ACCESS COVER FOR FULL STAGE POCKET</b>
FINISH		CHECKED		SIZE <b>B</b> DWG NO. <b>22BAC.dxf</b> REV	
SIMILAR TO	MARKING SYMBOL	ISSUED		SCALE: 1:2	BACK ACCESS COVERS    SHEET 1 OF 1