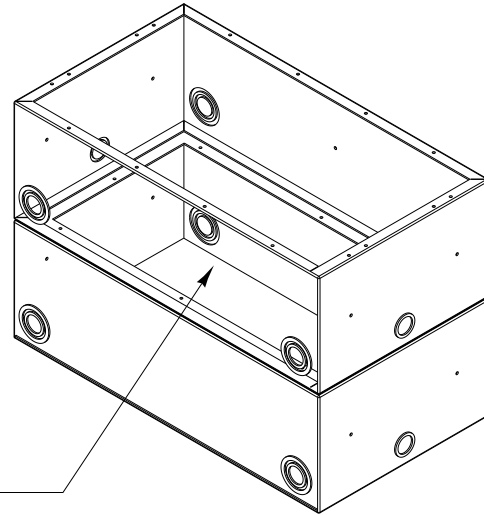
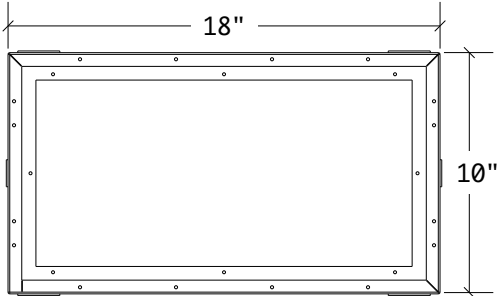




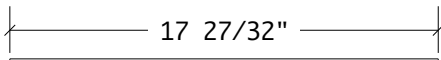
HORIZONTAL PANEL

REVISIONS

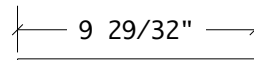
ZONE	REV	DESCRIPTION	DATE	APPROVED
------	-----	-------------	------	----------



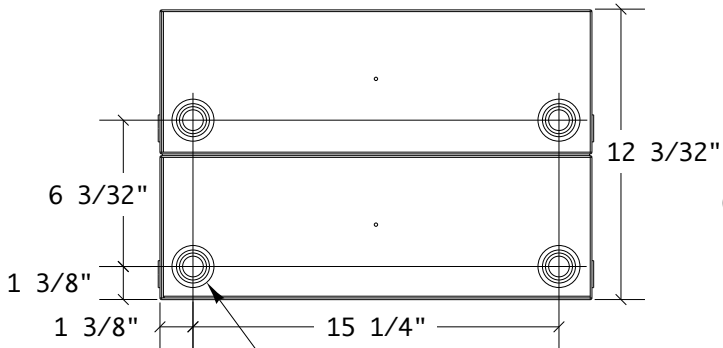
Side panel removed for visual improvement



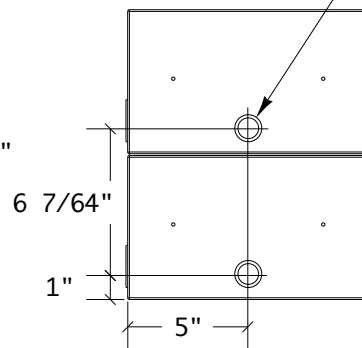
14 Gauge Steel Disposable Protective Cover



1/2" and 3/4" Knockouts (2) Places typical on opposing sides



1/2", 3/4", 1", and 1-1/4" Knockouts (4) Places typical on opposing sides



ALL DIMENSIONS ARE FOR REFERENCE ONLY. UNLESS OTHERWISE SPECIFIED ALL DIMENSIONS ARE IN INCHES.

APPROVALS

DATE



ACE BACKSTAGE CO., INC. - STAGE POCKET SYSTEMS
 24846 Avenue Rockefeller • Suite 200 • Valencia, CA 91355
 Tel: 661-295-5760 • Fax: 661-295-1122 • Web: www.acebackstage.com

DRAWN
04/22/08

ENGINEER

TITLE

#104DDBBX SUPER DOUBLE WIDE DOUBLE DEEP BACK BOX

TREATMENT

CHECKED

FINISH

APPROVED

SIZE **A** DWG NO. **104DDBBX.pdf** REV

SIMILAR TO MARKING SYMBOL ISSUED

SCALE: **1:8** SUPER DOUBLE WIDE DOUBLE DEEP BACK BOX SHEET **1** OF **1**