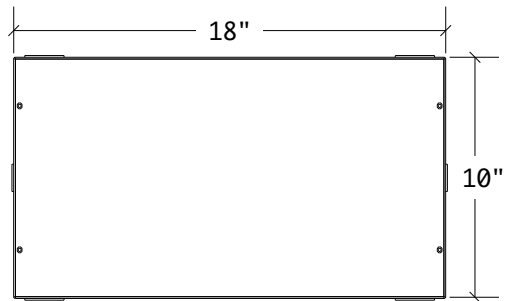




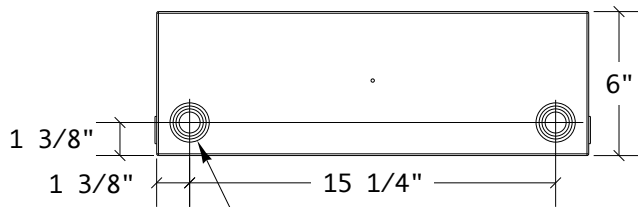
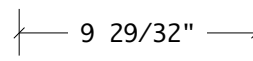
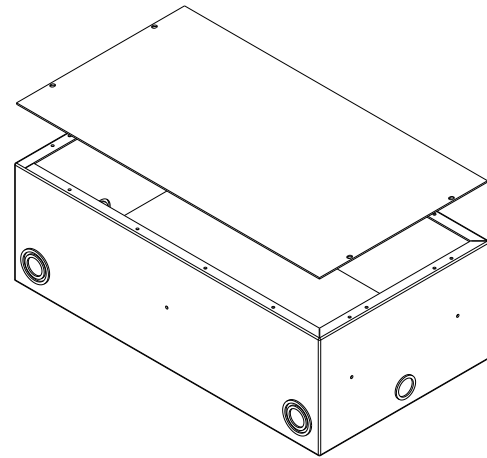
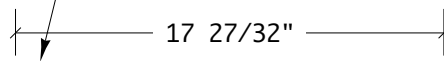
VERTICAL SLANT PANEL

REVISIONS

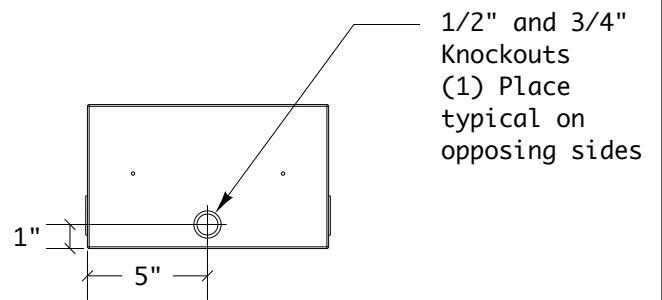
ZONE	REV	DESCRIPTION	DATE	APPROVED
------	-----	-------------	------	----------



14 Gauge Steel Disposable Protective Cover



1/2", 3/4", 1", and 1-1/4" Knockouts (2) Places typical on opposing sides



1/2" and 3/4" Knockouts (1) Place typical on opposing sides

<p>ALL DIMENSIONS ARE FOR REFERENCE ONLY. UNLESS OTHERWISE SPECIFIED ALL DIMENSIONS ARE IN INCHES.</p>	APPROVALS		DATE	<p>ACE BACKSTAGE CO., INC. - STAGE POCKET SYSTEMS 24846 Avenue Rockefeller • Suite 200 • Valencia, CA 91355 Tel: 661-295-5760 • Fax: 661-295-1122 • Web: www.acebackstage.com</p>
	DRAWN		04/22/08	
	ENGINEER			
TREATMENT	CHECKED			TITLE
FINISH	APPROVED			<p>#104BBX DOUBLE WIDE BACK BOX</p>
SIMILAR TO	MARKING SYMBOL	ISSUED		SIZE A DWG NO. 104BBX.pdf REV
			SCALE: 1:8	DOUBLE WIDE BACK BOX SHEET 1 OF 1