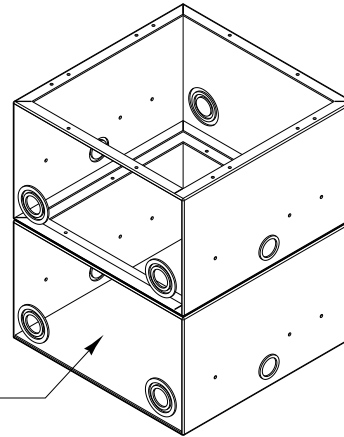
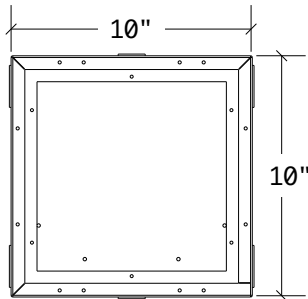




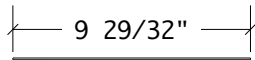
HORIZONTAL PANEL

REVISIONS

ZONE	REV	DESCRIPTION	DATE	APPROVED
------	-----	-------------	------	----------



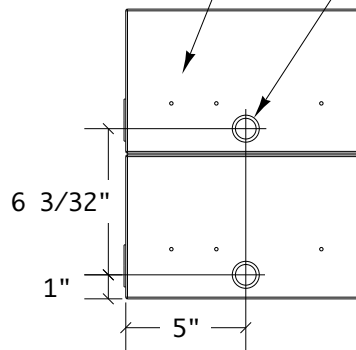
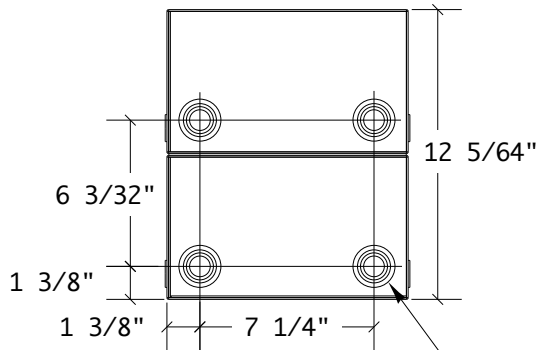
Side panel removed for visual improvement



14 Gauge Steel Disposable Protective Cover

1/16" Thick layer of Polyurethane Encapsulation

1/2" and 3/4" Knockouts (2) Places typical on opposing sides



1/2", 3/4", 1", and 1-1/4" Knockouts (4) Places typical on opposing sides

ALL DIMENSIONS ARE FOR REFERENCE ONLY. UNLESS OTHERWISE SPECIFIED ALL DIMENSIONS ARE IN INCHES.

APPROVALS

DATE



**ACE BACKSTAGE CO., INC. - STAGE POCKET SYSTEMS**  
 24846 Avenue Rockefeller • Suite 200 • Valencia, CA 91355  
 Tel: 661-295-5760 • Fax: 661-295-1122 • Web: www.acebackstage.com

DRAWN

04/22/08

ENGINEER

TITLE

**#102DDBBXW SUPER DOUBLE DEEP BACK BOX WITH POLYURETHANE ENCAPSULATION**

TREATMENT

CHECKED

FINISH

APPROVED

SIZE  
A

DWG NO. 102DDBBXW.pdf

REV

SIMILAR TO

MARKING SYMBOL

ISSUED

SCALE: 1:8

SUPER DOUBLE DEEP BACK BOX WET

SHEET 1 OF 1