

12" DEEP FULL BACK BOX



COMPATIBLE WITH:
VERTICAL SLANT POCKET



PROUDLY MADE
IN THE U.S.A.

REVISIONS

REV

DESCRIPTION

DATE

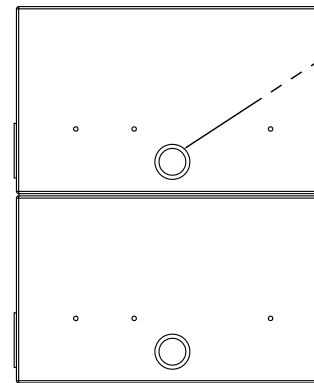
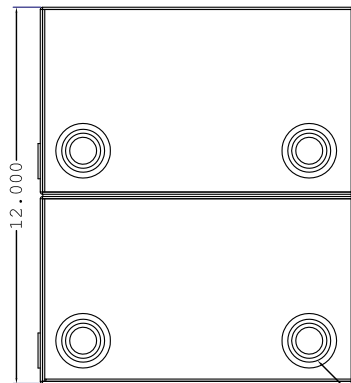
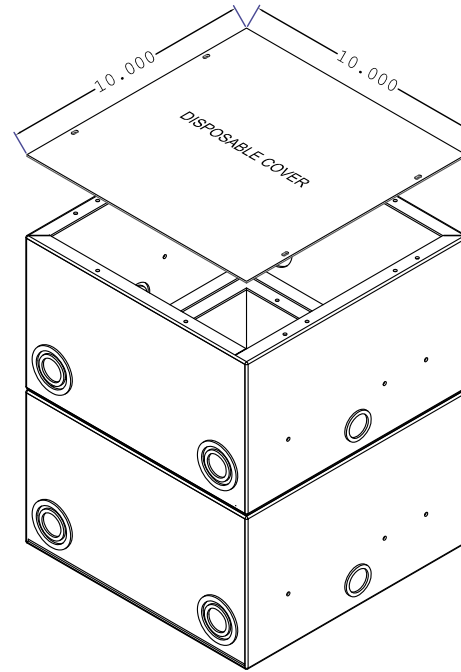
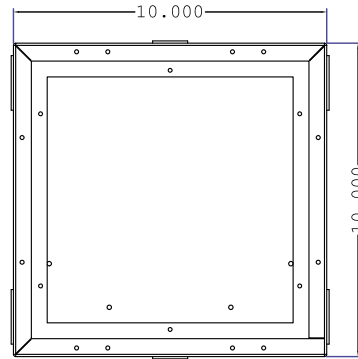


ACE BACKSTAGE CO., INC. - STAGE POCKET SYSTEMS

www.acebackstage.com

COMPATIBLE POCKETS:

MODEL NUMBERS:	DESCRIPTION:
122SLBK	STANDARD LID / BLACK
122CLBK	CARPET LID / BLACK
122SLOV	STANDARD LID / COPPER VEIN
122CLOV	CARPET LID / COPPER VEIN
222SLBR	STANDARD LID / SOLID BRASS
222CLBR	CARPET LID / SOLID BRASS
322SLSS	STANDARD LID / STAINLESS STEEL
322CLSS	CARPET LID / STAINLESS STEEL



1/2" AND 3/4" COMBINATION KNOCKOUTS.
(2) PLACES TYPICAL ON OPPOSING SIDES

1/2", 3/4", 1", AND 1-1/4" COMBINATION
KNOCKOUTS. (4) PLACES TYPICAL ON
OPPOSING SIDES

APPROVALS

DATE

DRAWN

JM

08/04/11

CUSTOMER APPROVAL

ALL DIMENSIONS ARE FOR
REFERENCE ONLY. UNLESS
OTHERWISE SPECIFIED ALL
DIMENSIONS ARE IN INCHES.

FINISH

ELECTRO DEPOSITED CLEAR ZINC

MATERIAL

14 GAUGE CRS

ITEM:

102DDBBX

DESCRIPTION:

12" DEEP BACK BOX FOR USE WHEN INSTALLING
FULL SIZE POCKETS.

REV

1

SHEET

1 OF 1